

Customer

Technical data

Multi-pump system

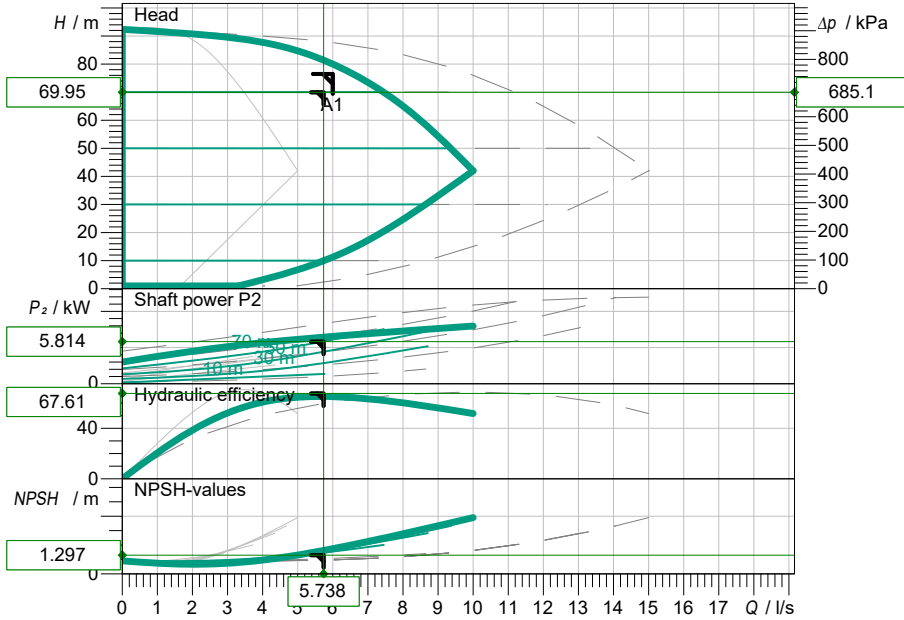
SiBoost Smart 3 Helix VE 1006

Project name Pumps&PipesBoosters

Project ID
Installation location
Customer pos.no

Date 2020-03-12

Duty chart



Requested data

Flow	6,00 l/s
Head	76,50 m
Media	Water 100 %
Fluid temperature	10,00 °C
Density	998,30 kg/m ³
Kin. viscosity	1,00 mm ² /s

Hydraulic data (Duty point)

Flow	5,74 l/s
Head	69,95 m
Shaft power P2	5,81 kW

Product data

Multi-pump system	SiBoost Smart 3 Helix VE 1006
Control	With frequency converter
No. of pumps	3
Max. operating pressure	1600 kPa
Inlet pressure max.	10 bar
Fluid temperature	3 °C ... + 50 °C
Max. ambient temperature	40 °C
Protection class system	IP 54
Protection class of switchgear	IP 54
Diaphragm pressure vessel	yes
Low-water cut-out switchgear	no

Motordata per Motor/Pump

Motor efficiency level	IE4
Mains connection	3~ 400 V / 50 Hz
Permitted voltage tolerance	±10%
Max. speed	3500 1/min
Rated power P2	4,00 kW
Rated current	9,10 A

Efficiency	50% / 75% / 100%	89/89,5/89,5%
Insulation class		F
Motor protection		yes

Fitting dimensions

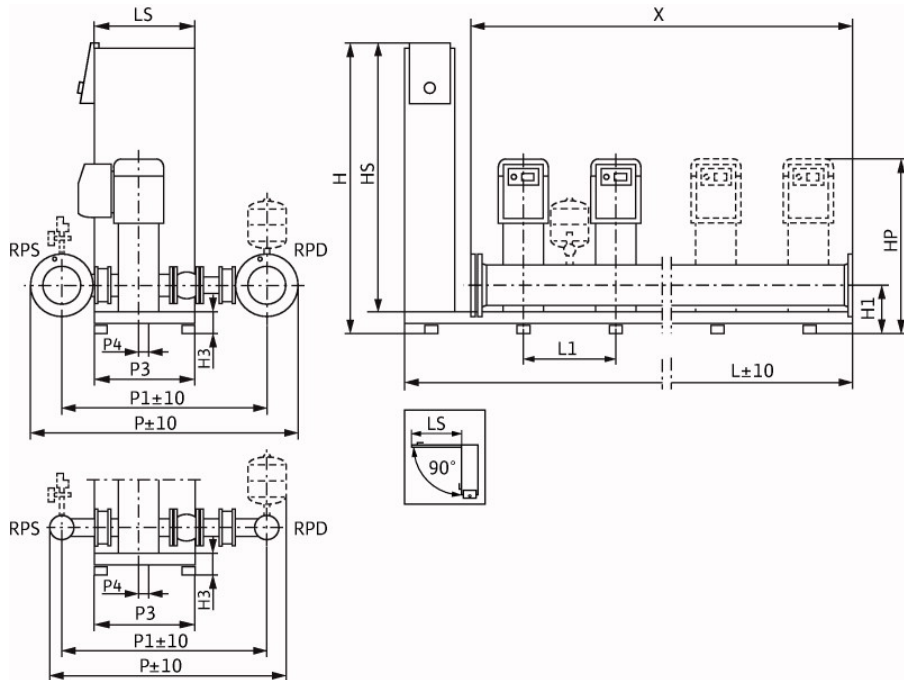
Pipe connection on the suction side R 2½, PN 10
Pipe connection on the pressure side R 2½, PN 16

Materials

Pump housing	1.4301 [AISI304]
Impeller	1.4307 [AISI304L]
Static seal	EPDM
Pump shaft	1.4301 [AISI304]
Mechanical seal	Q1BE3GG
Joint tubings	1.4307 [AISI304L]

Information for order placements

Weight approx.	264 kg
Item number	2536351



Dimensions

Dimensions		mm					
H	1055	L	1150	P1	704	X	900
H1	170	L1	300	P3	420		
H3	90	LS	400	P4	30		
HP	1011	Ø M	220	RPD	R 2½		
HS	950	P	845	RPS	R 2½		

Customer

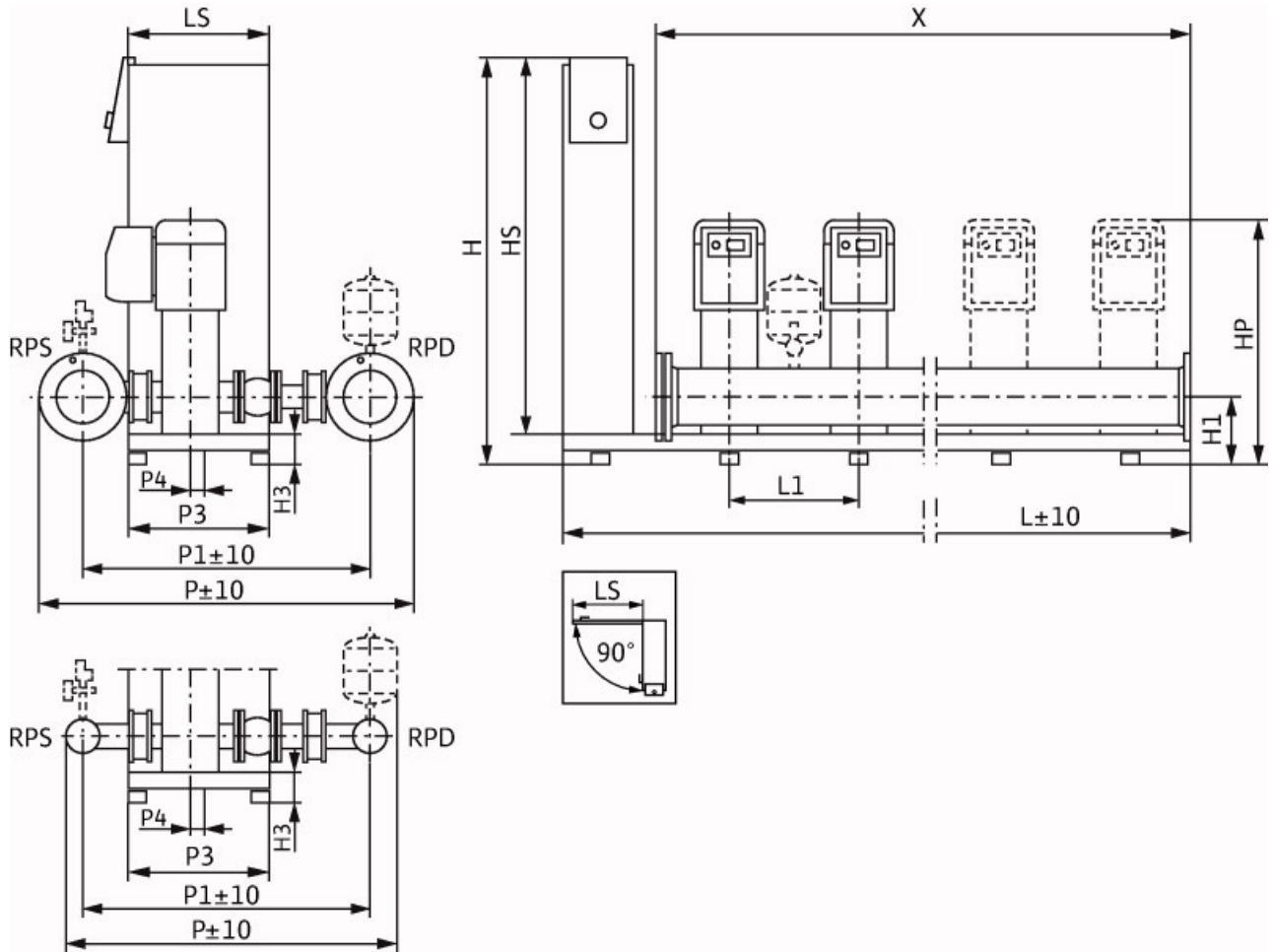
Dimensions

Multi-pump system SiBoost Smart 3 Helix VE 1006

Project name Pumps&PipesBoosters

Project ID
Installation location
Customer pos.no

Date 2020-03-12



Standard

Suction side R 2½, PN 10/PN 16
Discharge side R 2½, PN 10/PN 16

Dimensions mm

Name	Value	Name	Value	Name	Value	Name	Value
H	1055	LS	400	RPS	R 2½		
H1	170	Ø M	220	X	900		
H3	90	P	845				
HP	1011	P1	704				
HS	950	P3	420				
L	1150	P4	30				
L1	300	RPD	R 2½				

Customer

Technical data

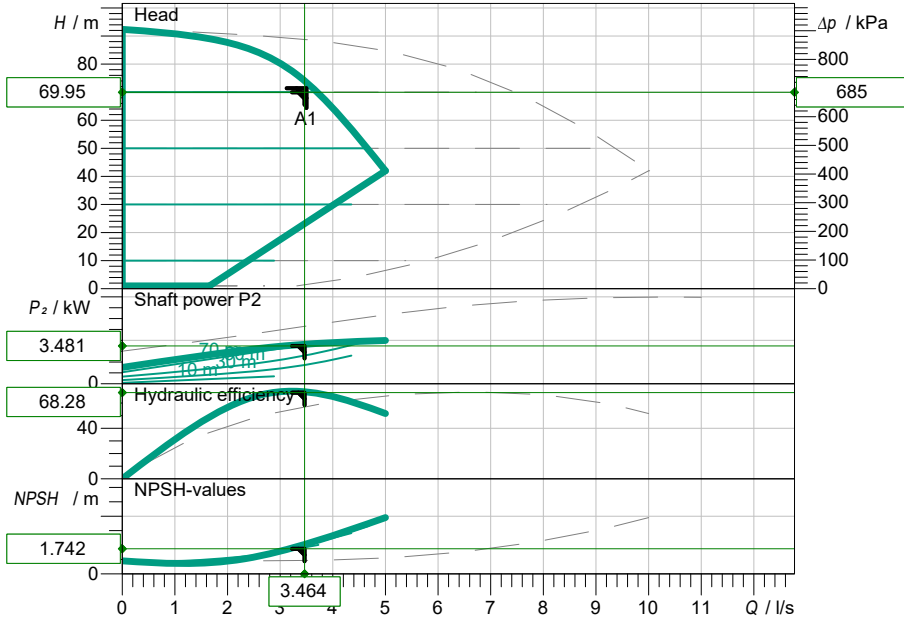
Multi-pump system SiBoost Smart 2 Helix VE 1006

Project name Pumps&PipesBoosters

Project ID
Installation location
Customer pos.no

Date 2020-03-12

Duty chart



Requested data

Flow	3,50 l/s
Head	71,40 m
Media	Water 100 %
Fluid temperature	10,00 °C
Density	998,30 kg/m ³
Kin. viscosity	1,00 mm ² /s

Hydraulic data (Duty point)

Flow	3,46 l/s
Head	69,95 m
Shaft power P2	3,48 kW

Product data

Multi-pump system	SiBoost Smart 2 Helix VE 1006	With frequency converter
Control	No. of pumps	2
Max. operating pressure	1600 kPa	
Inlet pressure max.	10 bar	
Fluid temperature	3 °C ... + 50 °C	
Max. ambient temperature	40 °C	
Protection class system	IP 54	
Protection class of switchgear	IP 54	
Diaphragm pressure vessel	yes	
Low-water cut-out switchgear	no	

Motordata per Motor/Pump

Motor efficiency level	IE4
Mains connection	3~ 400 V / 50 Hz
Permitted voltage tolerance	±10%
Max. speed	3500 1/min
Rated power P2	4,00 kW
Rated current	9,10 A

Efficiency	50% / 75% / 100%	89/89,5/89,5%
Insulation class		F
Motor protection		yes

Fitting dimensions

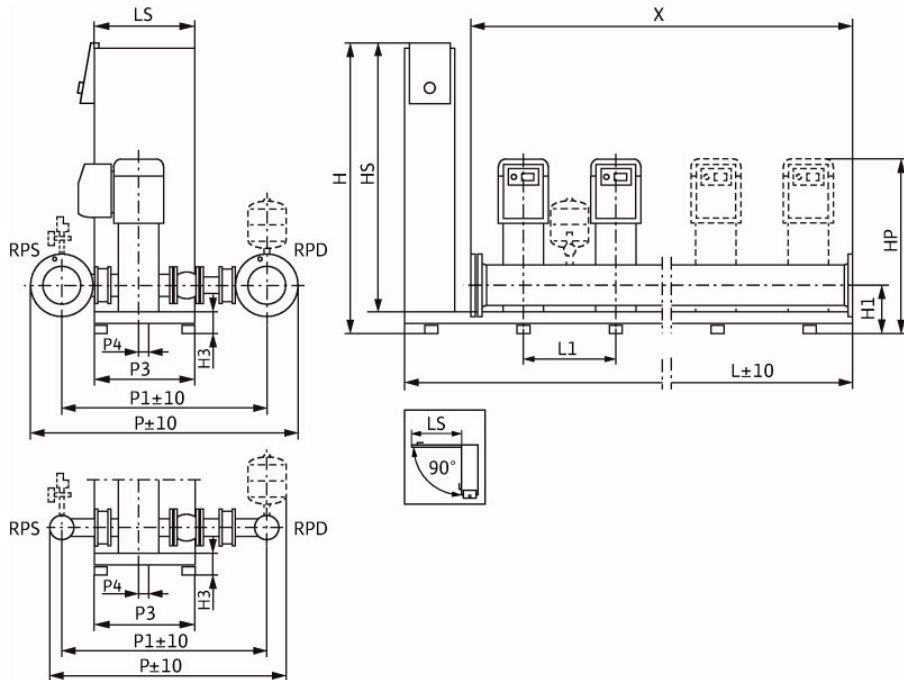
Pipe connection on the suction side R 2½, PN 10
Pipe connection on the pressure side R 2½, PN 16

Materials

Pump housing	1.4301 [AISI304]
Impeller	1.4307 [AISI304L]
Static seal	EPDM
Pump shaft	1.4301 [AISI304]
Mechanical seal	Q1BE3GG
Joint tubings	1.4307 [AISI304L]

Information for order placements

Weight approx.	190 kg
Item number	2536347



Dimensions

mm

H	1055	L	850	P1	704	X	600
H1	170	L1	300	P3	420		
H3	90	LS	400	P4	30		
HP	1011	Ø M	220	RPD	R 2½		
HS	950	P	845	RPS	R 2½		

Customer

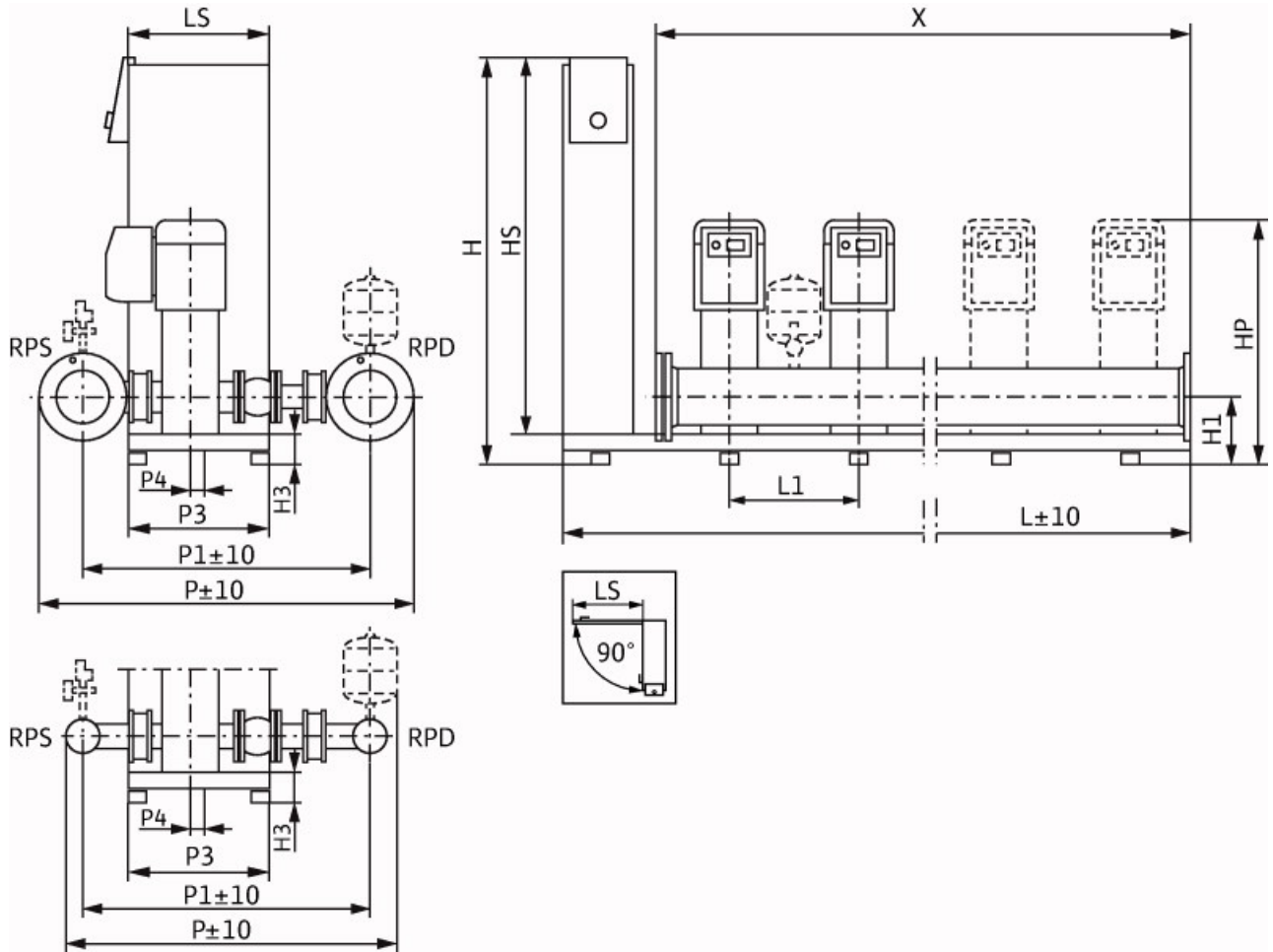
Dimensions

Multi-pump system SiBoost Smart 2 Helix VE 1006

Project name Pumps&PipesBoosters

Project ID
Installation location
Customer pos.no

Date 2020-03-12



Standard

Suction side R 2½, PN 10/PN 16
Discharge side R 2½, PN 10/PN 16

Dimensions mm

Name	Value	Name	Value	Name	Value	Name	Value
H	1055	LS	400	RPS	R 2½		
H1	170	Ø M	220	X	600		
H3	90	P	845				
HP	1011	P1	704				
HS	950	P3	420				
L	850	P4	30				
L1	300	RPD	R 2½				

Customer

Technical data

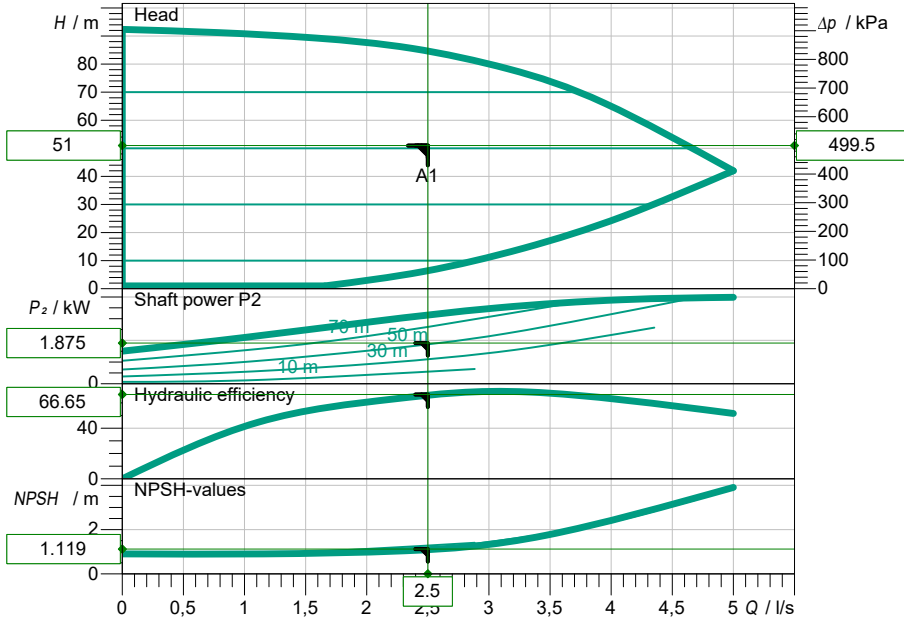
Single-pump system SiBoost Smart 1 Helix VE 1006

Project name Pumps&PipesBoosters

Project ID
Installation location
Customer pos.no

Date 2020-03-12

Duty chart



Requested data

Flow	2,50 l/s
Head	51,00 m
Media	Water 100 %
Fluid temperature	10,00 °C
Density	998,30 kg/m ³
Kin. viscosity	1,00 mm ² /s

Hydraulic data (Duty point)

Flow	2,50 l/s
Head	51,00 m
Shaft power P2	1,87 kW

Product data

Single-pump system	
SiBoost Smart 1 Helix VE 1006	
Control	With frequency converter
No. of pumps	1
Max. operating pressure	1600 kPa
Inlet pressure max.	6 bar
Fluid temperature	3 °C ... + 50 °C
Max. ambient temperature	40 °C
Protection class system	IP 55
Protection class of switchgear	IP 55
Diaphragm pressure vessel	yes
Low-water cut-out switchgear	no

Motordata per Motor/Pump

Motor efficiency level	IE4
Mains connection	3~ 400 V / 50 Hz
Permitted voltage tolerance	±10%
Max. speed	3500 1/min
Rated power P2	4,00 kW
Rated current	9,10 A

Efficiency	89/89,5/89,5%
Insulation class	F
Motor protection	no

Fitting dimensions

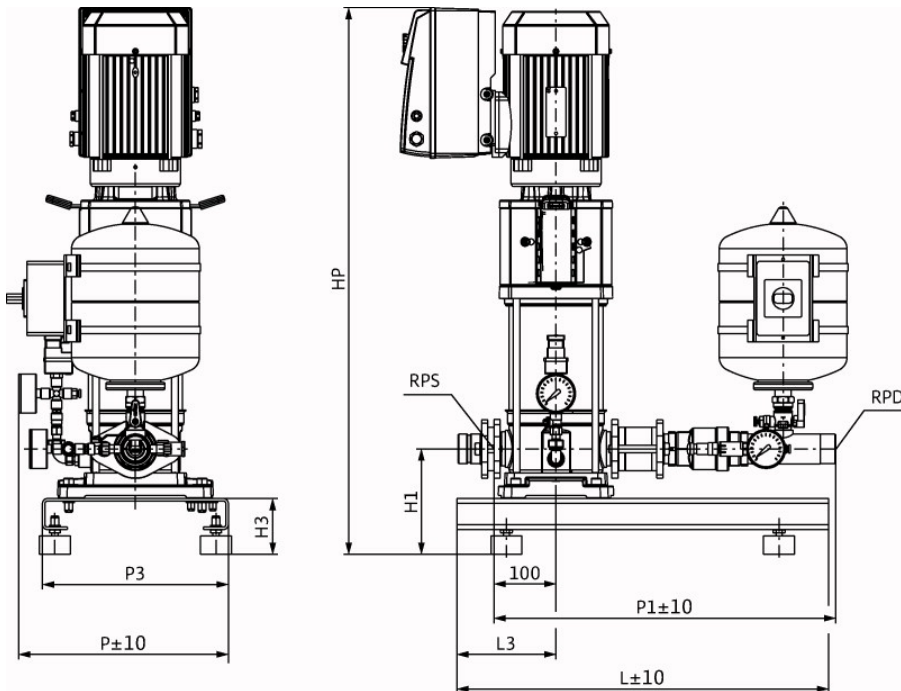
Pipe connection on the suction side Rp 1½, PN 10
Pipe connection on the pressure side R 1½, PN 16

Materials

Pump housing	1.4301 [AISI304]
Impeller	1.4307 [AISI304L]
Static seal	EPDM
Pump shaft	1.4301 [AISI304]
Mechanical seal	Q1BE3GG
Pressure pipe	1.4307 [AISI304L]

Information for order placements

Weight approx.	91 kg
Item number	2537654



Dimensions

Dimensions		mm	
H1	170	P	340
H3	90	P1	556
HP	1011	P3	300
L	600	RPD	R 1½
L3	160	RPS	Rp 1½

Contact
E-mail
Phone

Customer

Contact
E-mail
Phone

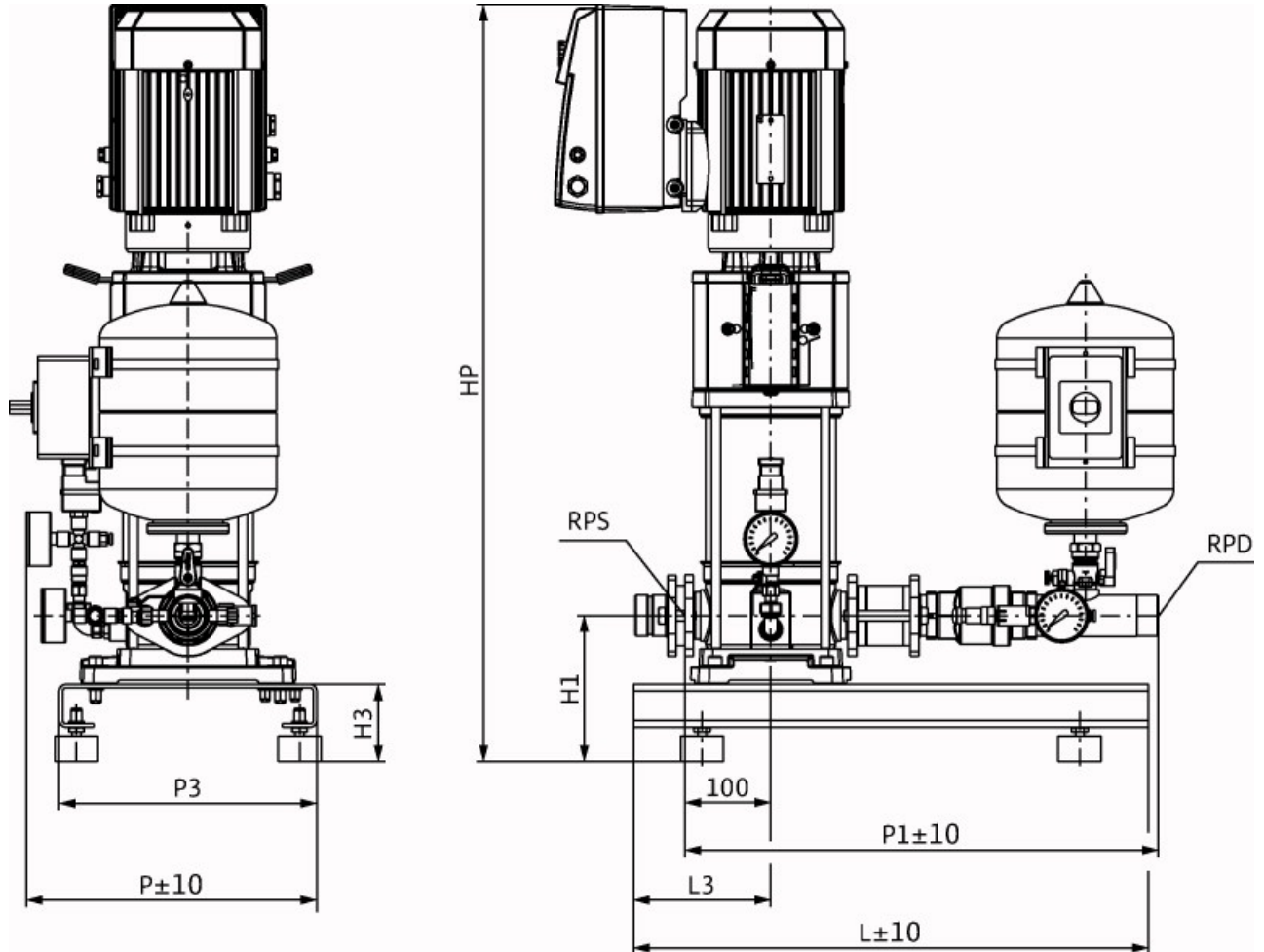
Dimensions

Single-pump system
SiBoost Smart 1 Helix VE 1006

Project name Pumps&PipesBoosters

Project ID
Installation location
Customer pos.no

Date 2020-03-12



Standard

Suction side Rp 1½, PN 10/PN 16
Discharge side R 1½, PN 10/PN 16

Dimensions mm

Name	Value	Name	Value	Name	Value	Name	Value
H1	170	P3	300				
H3	90	RPD	R 1½				
HP	1011	RPS	Rp 1½				
L	600						
L3	160						
P	340						
P1	556						