

## Series description: Wilo-Jet FWJ



### Design

Self-priming water-supply units

### Application

For pumping water and rainwater from wells and tanks for:

- Sprinkling
- Irrigation and spraying

### Type key

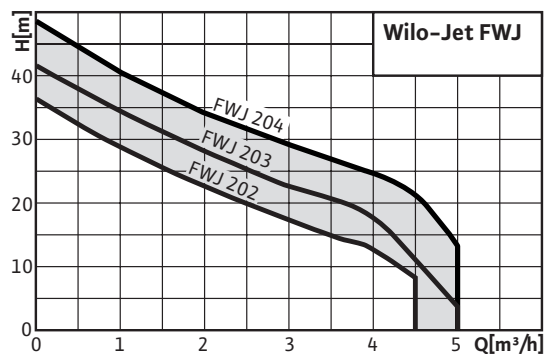
Example:	<b>FWJ-203-EM</b>
<b>F</b>	System consisting of pump with integrated Fluidcontrol
<b>WJ</b>	Wilo jet pumps
<b>2</b>	Nominal flow rate Q in m <sup>3</sup> /h at optimum efficiency
<b>03</b>	Index for pump pressure (02 < 03 < 04), version 03 with higher pressure than version 02 (no indication of number of impellers)
<b>EM</b>	Single-phase current, 1~230 V, 50 Hz

### Special features/product advantages

- Ideal for outdoor applications (hobby, garden)
- Completely preassembled system
- Electronic pump control
- All parts that come in contact with the fluid are corrosion-free

### Technical data

- Mains connection 1~230 V, 50 Hz
- Inlet pressure max. 1 bar
- Switch-on pressure 1.5 bar to 2.7 bar
- Switch-off pressure min. 2.2 bar
- Fluid temperature +5 °C to +35 °C
- Max. operating pressure 6 bar
- Protection class IP 44
- Pressure-side connection R 1
- Suction-side connection G 1



### Equipment/function

- Directly flanged motor
- Connection cable with plug
- Thermal motor protection switch
- Automatic pump control
- Low-water cut-out switchgear

### Materials

- Pump housing stainless steel 1.4301
- Impeller made of Noryl
- Shaft made of 1.4005 stainless steel
- Mechanical seal made of carbon/ceramic
- Stage chambers made of Noryl
- Pressure monitor housing made of nylon PA6
- Diffuser/injector made of Noryl
- Seal made of NBR

### Scope of delivery

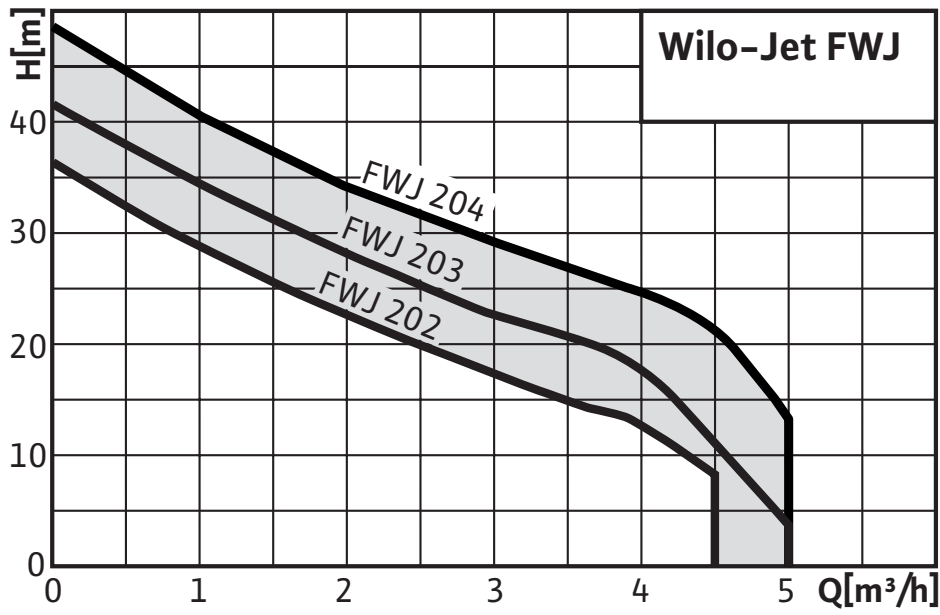
- Pump
- Wilo-FluidControl pump control
- Installation and operating instructions
- Optional carrying handle

### Accessories

- Suction/pressure hose 1" (version 1.5 to 15 m long)
- Foot valve

Duty chart: Wilo-Jet FWJ

Pump curves

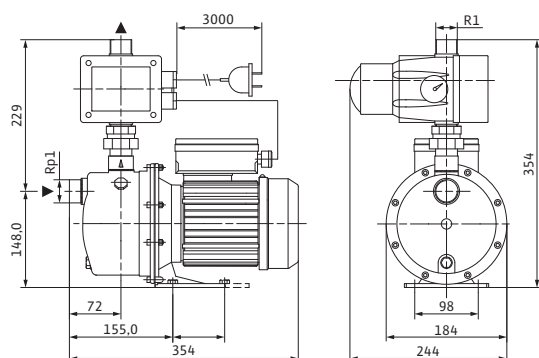
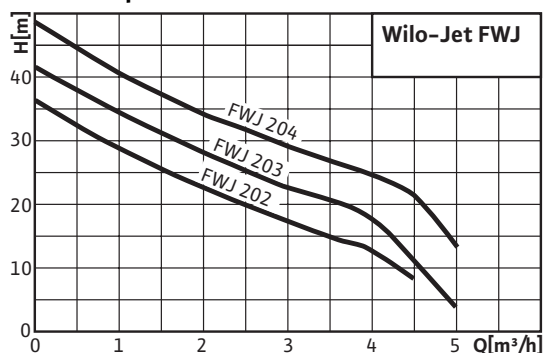


**Product list: Wilo-Jet FWJ**

Type	Nominal motor power	Cable length from system to switchgear/plug	Gross weight	Art no.
	$P_2/W$	$L/m$	$m/kg$	
FWJ 202	650	3	12.70	4088344
FWJ 203	750	3	13.10	4088345
FWJ 204	1100	3	14.40	2531175

## Data sheet: Wilo-Jet FWJ 202

**n = 2850 rpm**



### Approved fluids (other fluids on request)

Pure water without settling sediment	•
Process water, cold water, cooling water, rainwater	•
Rainwater	•

### Output

Max. suction head	<i>H</i>	8.0 m
Max. inlet pressure	<i>H</i>	1 bar
Fluid temperature	<i>T</i>	+5...+35 °C
Max. ambient temperature	<i>T</i>	40 °C
Standard version for operating pressure	<i>p<sub>max</sub></i>	6 bar
Nominal speed	<i>n</i>	2850 rpm

### Motor/electronics

Protection class		IP 44
Insulation class		B
Nominal motor power	<i>P<sub>2</sub></i>	0.6500 kW
Power consumption	<i>P<sub>1</sub></i>	0.8500 kW
Mains connection		1~230 V, 50 Hz

### Pipe connections

Nominal connection diameter on the pressure side		R 1
Nominal connection diameter on suction side		G 1

### Materials

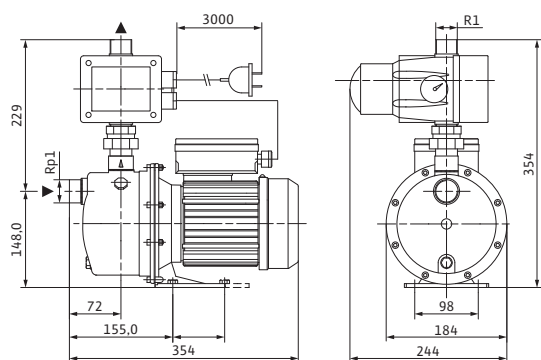
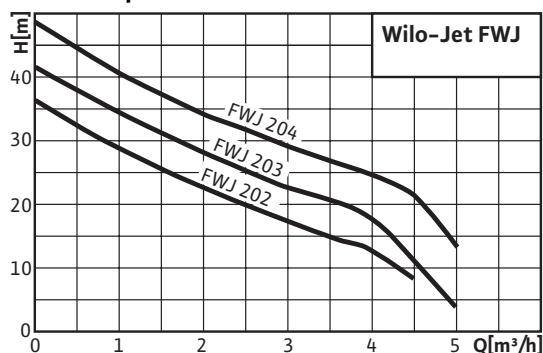
Pump housing		1.4301
Impeller		1.4301
Pump shaft		1.4005
Mechanical seal		Carbon/ceramic
Stage chambers		Noryl
Diffuser/Injector		Noryl
Seal		NBR

### Information for order placements

Make		Wilo
Type		FWJ 202
Art no.		4088344
Weight approx.	<i>m</i>	11.7 kg

## Data sheet: Wilo-Jet FWJ 203

$n = 2850 \text{ rpm}$



### Approved fluids (other fluids on request)

Pure water without settling sediment	•
Process water, cold water, cooling water, rainwater	•
Rainwater	•

### Output

Max. suction head	$H$	8.0 m
Max. inlet pressure	$H$	1 bar
Fluid temperature	$T$	+5...+35 °C
Max. ambient temperature	$T$	40 °C
Standard version for operating pressure	$p_{max}$	6 bar
Nominal speed	$n$	2850 rpm

### Motor/electronics

Protection class		IP 44
Insulation class		B
Nominal motor power	$P_2$	0.7500 kW
Power consumption	$P_1$	1 kW
Mains connection		1~230 V, 50 Hz

### Pipe connections

Nominal connection diameter on the pressure side		R 1
Nominal connection diameter on suction side		G 1

### Materials

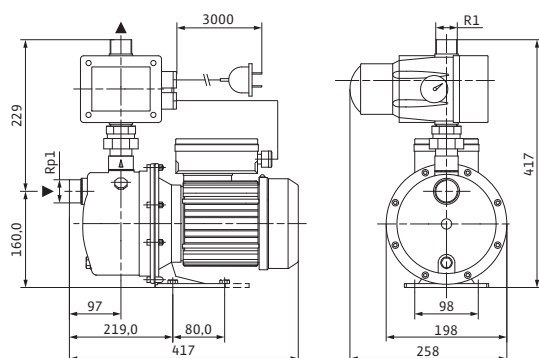
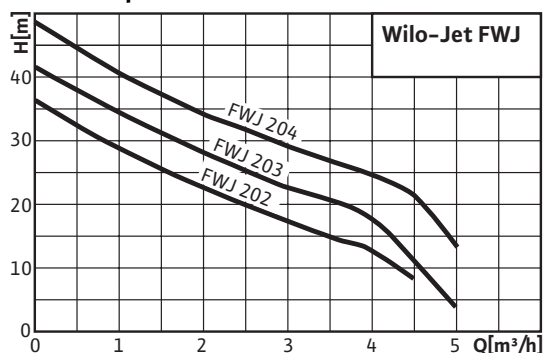
Pump housing		1.4301
Impeller		1.4301
Pump shaft		1.4005
Mechanical seal		Carbon/ceramic
Stage chambers		Noryl
Diffuser/Injector		Noryl
Seal		NBR

### Information for order placements

Make		Wilo
Type		FWJ 203
Art no.		4088345
Weight approx.	$m$	12.1 kg

## Data sheet: Wilo-Jet FWJ 204

**n = 2850 rpm**



### Approved fluids (other fluids on request)

Pure water without settling sediment	•
Process water, cold water, cooling water, rainwater	•
Rainwater	•

### Output

Max. suction head	<i>H</i>	8.0 m
Max. inlet pressure	<i>H</i>	1 bar
Fluid temperature	<i>T</i>	+5...+35 °C
Max. ambient temperature	<i>T</i>	40 °C
Standard version for operating pressure	<i>p<sub>max</sub></i>	6 bar
Nominal speed	<i>n</i>	2850 rpm

### Motor/electronics

Protection class		IP 44
Insulation class		B
Nominal motor power	<i>P<sub>2</sub></i>	1.1000 kW
Power consumption	<i>P<sub>1</sub></i>	1.3000 kW
Mains connection		1~230 V, 50 Hz

### Pipe connections

Nominal connection diameter on the pressure side		R 1
Nominal connection diameter on suction side		G 1

### Materials

Pump housing		1.4301
Impeller		1.4301
Pump shaft		1.4005
Mechanical seal		Carbon/ceramic
Stage chambers		Noryl
Diffuser/Injector		Noryl
Seal		NBR

### Information for order placements

Make		Wilo
Type		FWJ 204
Art no.		2531175
Weight approx.	<i>m</i>	13.4 kg