

4GS SERIES OPERATING CHARACTERISTICS AT 50 Hz

PUMP TYPE	N. OF STAGES	MOTOR POWER		MEI ⁽¹⁾ ≥	Q = DELIVERY						
					l/min	0	30	40	60	80	90
					m ³ /h	0	1,8	2,4	3,6	4,8	5,4
					H = TOTAL HEAD METRES COLUMN OF WATER						
4GS03	4	0,37	0,5	0,4	27	24	23	19	13	9	
4GS05	7	0,55	0,75	0,4	47	42	40	33	22	15	
4GS07	9	0,75	1	0,4	60	54	51	42	28	19	
4GS11	14	1,1	1,5	0,4	94	84	80	66	44	30	
4GS15	19	1,5	2	0,4	127	114	108	89	60	40	
4GS22	27	2,2	3	0,4	181	162	154	127	85	57	
4GS30	35	3	4	0,4	228	204	194	160	107	72	
4GS40	48	4	5,5	0,4	321	288	274	226	151	102	

Hydraulic performances in compliance with ISO 9906:2012 - Grade 3B (ex ISO 9906:1999 - Annex A)

4gs-2p50-en_b_th

(1) Index of efficiency MEI.

4GS..4OS SERIES DIMENSIONS AND WEIGHTS

ELECTRIC PUMP TYPE *	N. OF STAGES	DNM	DIMENSIONS (mm)		PUMP WEIGHT kg	ELECTRIC PUMP WEIGHT kg
			L1	L		
			4GS03M-4OS	4		
4GS05M-4OS	7	Rp 1 1/4	309	662	3,1	11,3
4GS07M-4OS	9	Rp 1 1/4	352	730	3,5	12,8
4GS11M-4OS	14	Rp 1 1/4	460	873	4,6	15,8
4GS15M-4OS	19	Rp 1 1/4	568	1016	5,7	18,5
4GS22M-4OS	27	Rp 1 1/4	770	1268	7,6	22,7
4GS03T-4OS	4	Rp 1 1/4	245	577	2,5	9,6
4GS05T-4OS	7	Rp 1 1/4	309	662	3,1	10,7
4GS07T-4OS	9	Rp 1 1/4	352	705	3,5	11,7
4GS11T-4OS	14	Rp 1 1/4	460	838	4,6	13,9
4GS15T-4OS	19	Rp 1 1/4	568	981	5,7	17,1
4GS22T-4OS	27	Rp 1 1/4	770	1218	7,6	20,5
4GS30T-4OS	35	Rp 1 1/4	967	1415	9,6	23,5
4GS40T-4OS	48	Rp 1 1/4	1248	1816	12,8	30,6

* Pump and motor are supplied uncoupled in two separated packages if:

- the motor is single-phase ≥ 2,2 kW or three-phase ≥ 3 kW
- or the total length is > 1500 mm

4gs-4os-2p50-en_a_td

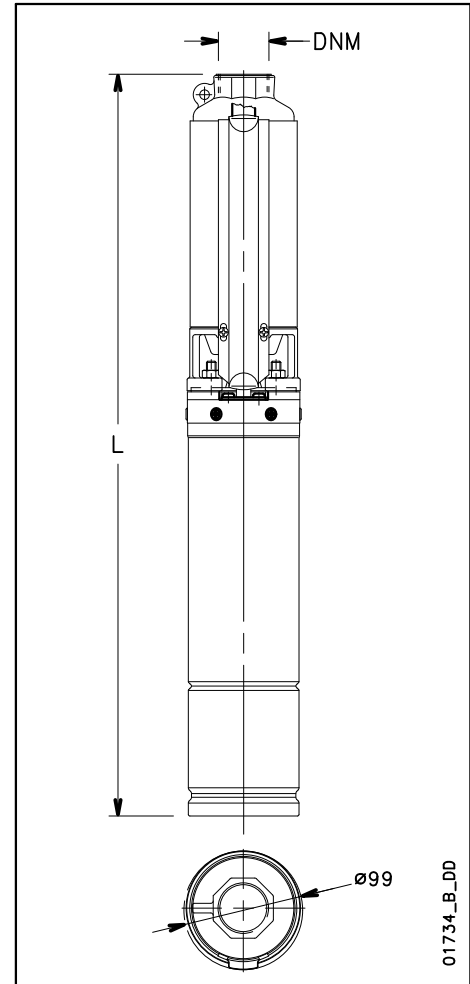
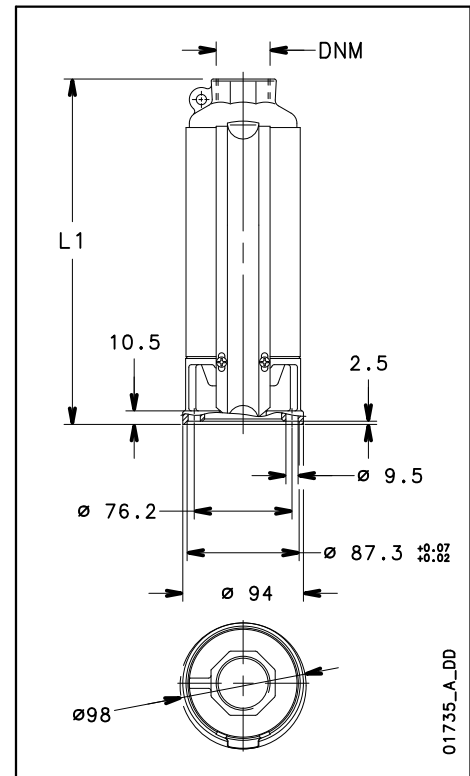
4GS..L4C SERIES DIMENSIONS AND WEIGHTS

ELECTRIC PUMP TYPE*	N. OF STAGES	DNM	DIMENSIONS (mm)		PUMP WEIGHT kg	ELECTRIC PUMP WEIGHT kg
			L1	L		
			4GS03M-L4C	4		
4GS05M-L4C	7	Rp 1 1/4	309	573	3,1	10,9
4GS07M-L4C	9	Rp 1 1/4	352	636	3,5	11,9
4GS11M-L4C	14	Rp 1 1/4	460	789	4,6	15,5
4GS15M-L4C	19	Rp 1 1/4	568	959	5,7	18,4
4GS22M-L4C	27	Rp 1 1/4	770	1181	7,6	21,8
4GS03T-L4C	4	Rp 1 1/4	245	459	2,5	9,5
4GS05T-L4C	7	Rp 1 1/4	309	543	3,1	10,3
4GS07T-L4C	9	Rp 1 1/4	352	616	3,5	11,3
4GS11T-L4C	14	Rp 1 1/4	460	744	4,6	13
4GS15T-L4C	19	Rp 1 1/4	568	914	5,7	17,7
4GS22T-L4C	27	Rp 1 1/4	770	1161	7,6	20,4
4GS30T-L4C	35	Rp 1 1/4	967	1509	9,6	30,2
4GS40T-L4C	48	Rp 1 1/4	1248	1860	12,8	36,5

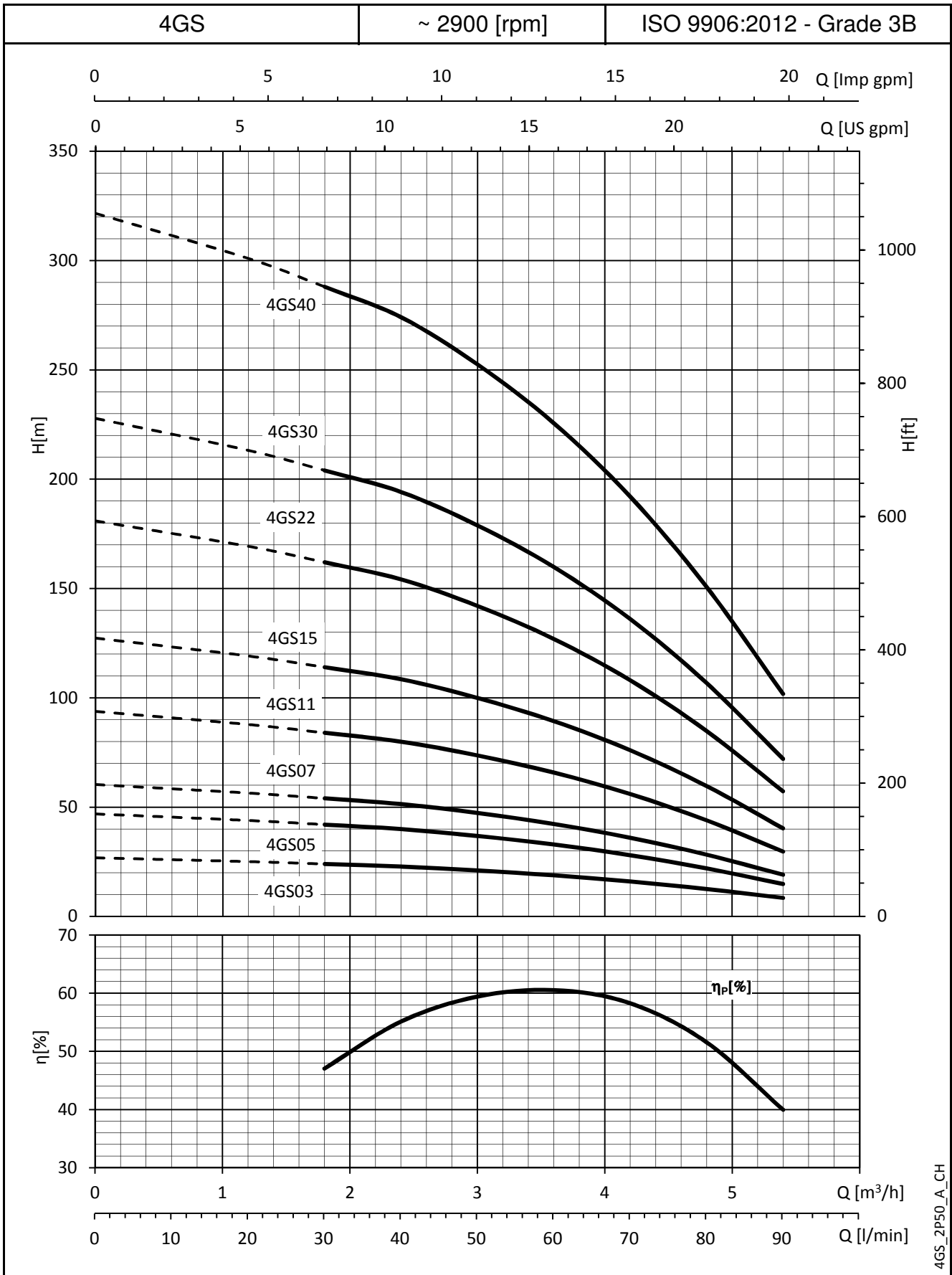
* Pump and motor are supplied uncoupled in two separated packages if:

- the motor is single-phase ≥ 2,2 kW or three-phase ≥ 3 kW
- or the total length is > 1500 mm

4gs-l4c-2p50-en_b_td



4GS SERIES OPERATING CHARACTERISTICS AT 50 Hz



4GS_2P50_A_CH

These performances are valid for liquids with density $\rho = 1.0 \text{ Kg/dm}^3$ and kinematic viscosity $\nu = 1 \text{ mm}^2/\text{sec}$.