

## AUSSIE GMP PUMPS HYDRAULIC DRIVE (CAST IRON) ... 3 YEAR PUMP WARRANTY



B4KQ-A/ST  
hydraulic drive



G3TMK-A/ST  
hydraulic drive

Aussie GMP self priming centrifugal cast iron hydraulic drive semi trash pumps in 2", 3" and 4" configurations, designed for high and low pressure operations.

Pumps feature big open impellers, non clog design, silicon carbide mechanical seal, stainless steel wear plate and large front opening port to permit cleaning without pipe work disconnection.

Flows available to 2200 litres per minute and heads to 55 metres.

These hydraulic drive motor pumps can be operated in either closed centre or open centre hydraulic systems.

Bronze & stainless steel hydraulic drive pumps also available, see separate spec sheet.



### Features

- Heavy duty cast construction
- Open non clog style impeller
- Self primes from 6 metres
- Front mounted clean out port
- Cast iron foot mounting
- Silicon carbide mechanical seal standard, option of Viton or tungsten carbide
- Stainless steel wear plate
- Elimination of dependant engine in mobile applications
- Compact design
- Power supplied by hydraulic lines

### Benefits

- » Long trouble free life
- » Pumps solids in suspension
- » Ready to pump in minimum amount of time
- » Pump clean out without pipe work dismantling
- » Stable, easy to install
- » Flexibility of handled liquids
- » Protects pump from wear, cuts operating costs
- » Reduced cost, improved reliability
- » Facilitates installation
- » Flexible design, pump can be located in the most appropriate position, elimination of drive shafts

### Applications:

- Mine and dust suppression
- Water cart
- Water deliver truck tanker
- Fire fighting tanker refill
- Underground mine dewatering
- Drilling rigs



B2KQ-A/ST  
hydraulic drive

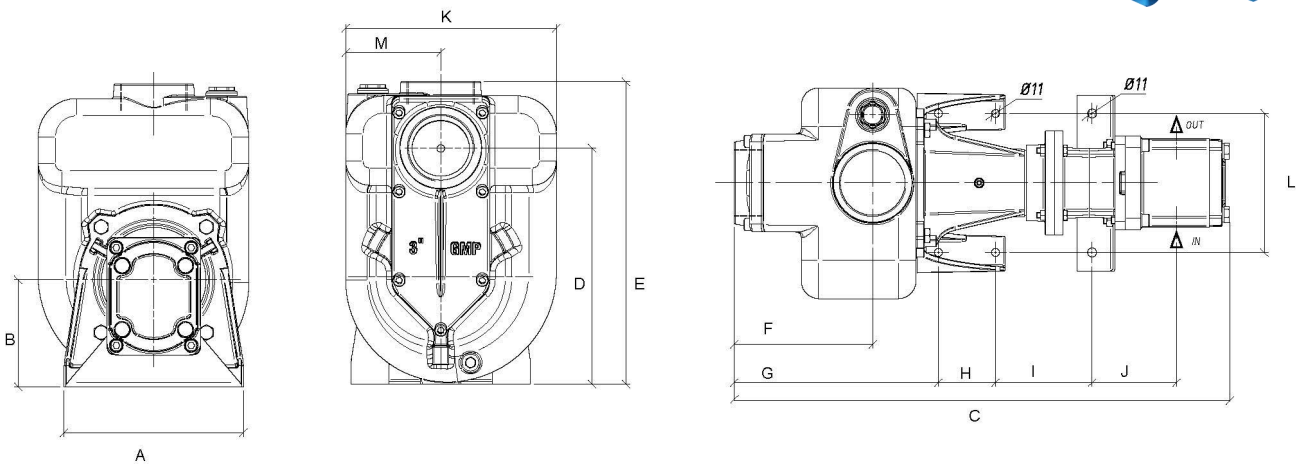
### Specifications

Inlet/Outlet	Model	S/code	CAT No.	RPM	PSI	Total Head (m)	Capacity (l/m)	Solid size (mm)	Hydraulic requirements at 3,000 rpm	Weight (kg)
2" x 2"	B2KQ-A/ST	GB2KQ-A/ST HYD	AA9A/AA6U	3000	25	18	440	19	8.5cm <sup>3</sup> /rev, 100 bar (3kW)	18.5
	B3KQ-A/ST	GB3KQ-A/ST HYD	AA5B/AA7U	3000	22	16	900	27	8.5cm <sup>3</sup> /rev, 100 bar (3kW)	20.2
3" x 3"	B3XR-A/ST	GB3XR-A/ST HYD22	ASM8	3000	43	31	1500	35	22cm <sup>3</sup> /rev, 150 bar (12.5kW)	56
		GB3XR-A/ST HYD	ASD9	3000	43	31	1500	35	35cm <sup>3</sup> /rev, 100 bar (12.5kW)	56
	G3TMK-A/ST	G3TMK-A/ST HYD22	ASM9	3000	77	55	1100	16	22cm <sup>3</sup> /rev, 150 bar (12.5kW)	61
4" x 4"	B4KQ-A/ST	GB4KQ-A/ST HYD22	ASM7	3000	1.4	14	1600	37	22cm <sup>3</sup> /rev, 150 bar (12.5kW)	64
	B4XR-A/ST	GB4XR-A/ST HYD22	ASHQ	3000	42	30	2200	39	35cm <sup>3</sup> /rev, 100 bar (12.5kW)	65

Due to our program of continuous product development the manufacturer reserves the right to alter specifications without notice.



## AUSSIE GMP PUMPS HYDRAULIC DRIVE (CAST IRON) ... 3 YEAR PUMP WARRANTY



Model	A	B	C	D	E	F	G	H	I	J	K	L	M	Motor used in dimension measurements
B2KQ-A/ST	160	122	390	228	294	119.5	168	103		68.5	185	132		PLM20.8
B3KQ-A/ST	160	122	426.5	227.5	295	147.5	204	103		68.5	185	132		PLM20.8
B3XR-A/ST	135	140	650	310	395	181.5	267	75	126.5	110.5	276	182	125	PLM30.34
G3TMK-A/ST	235	140	670	312	395	197.5	287	75	127.5	110.5	285	182	125	PLM30.34
B4KQ-A/ST	235	140	673	280	405	192.5	291.5	75	126.5	110.5	310	182	140	PLM30.34
B4XR-A/ST	230	140	695	311	450	196	308	75			365	182	181	PLM30.34

### HYDRAULIC MOTOR DRIVEN PUMP APPLICATION INSTRUCTIONS

#### HYDRAULIC SYSTEM REQUIREMENTS:

The hydraulic motor driven pump can be operated on either a closed centre or open centre hydraulic system. The maximum system requirement is 31 litres per minute of hydraulic fluid flow for models up to and including B3KQA/ST units. The system requirement for the larger units is 66 litres per minute. Flows less than or greater than this may result in a lower pump speed, lower pump output, and lower pressure delivered by the pump. Flows and pressure exceeding the maximum levels may damage the hydraulic motor and the pumps.

#### CLOSED CENTRE VERSUS OPEN CENTRE HYDRAULIC SYSTEMS:

An OPEN CENTRE hydraulic system is based on either a vane or gear type hydraulic pump. These pumps have a constant output proportional to the speed of the engine driving them. When this flow is not being used, a valve diverts the flow back to the hydraulic reservoir where it is recirculated through the pump. The term "open centre" is derived from the type of valve used to control an open centre system. The open centre position of the hydraulic valve permits the flow of hydraulic fluid back to the reservoir in the neutral position.

A CLOSED CENTRE system uses a variable displacement piston pump. This type of pump varies its output from zero flow to maximum flow depending on the demands put to it by the system. All this happens without disengaging or changing the speed of the engine driving the pump. The term "closed centre" comes from the fact that the type of valve used to control this system completely shuts off the flow in the neutral position.

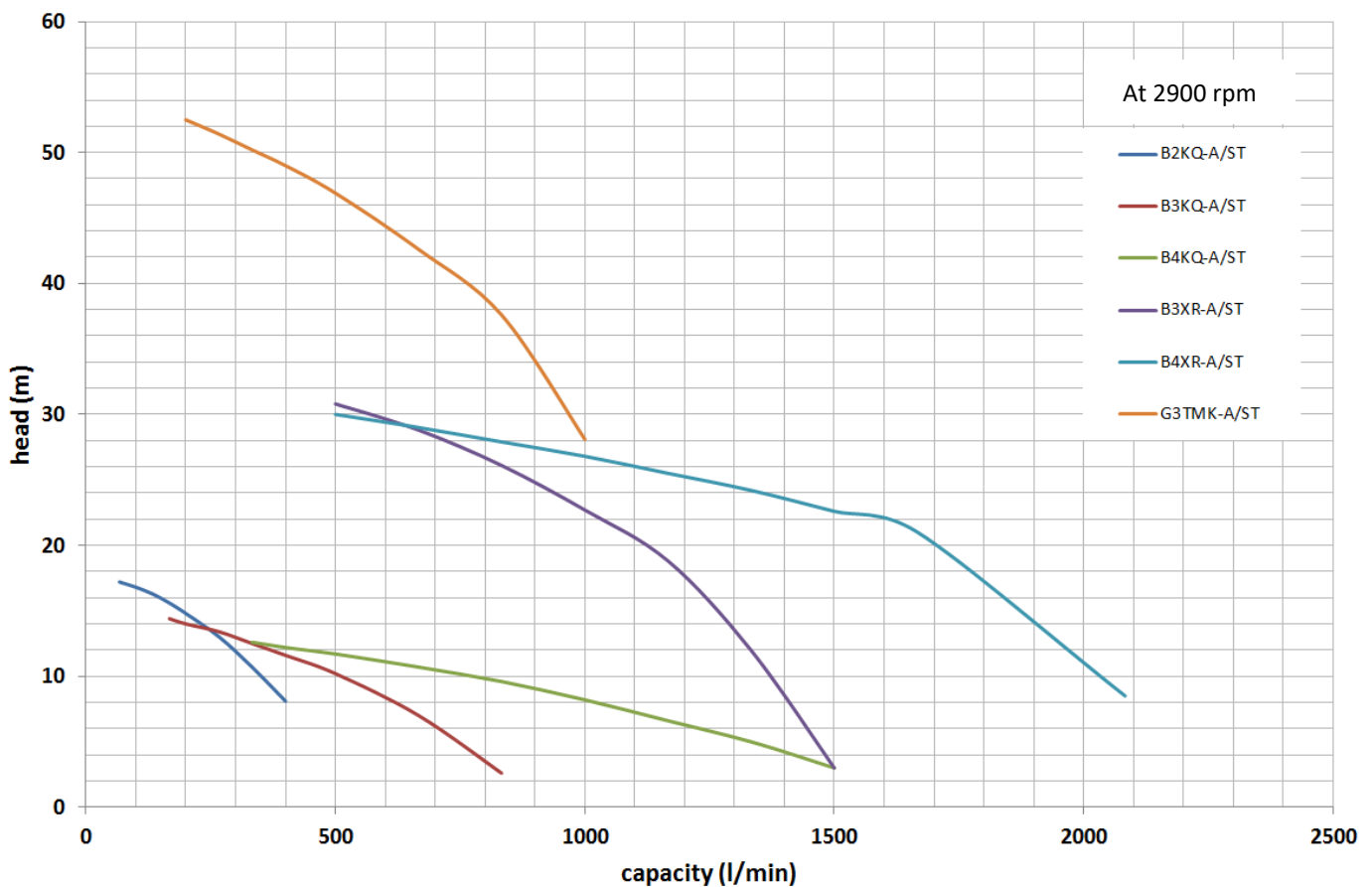
Due to our program of continuous product development the manufacturer reserves the right to alter specifications without notice.





## AUSSIE GMP PUMPS HYDRAULIC DRIVE (CAST IRON) ... 3 YEAR PUMP WARRANTY

### Performance Curves



Full data sheets available from Aussie Pumps

### Optional Accessories:

- Heavy duty suction hoses 2" and 3"
- Medium pressure lay flat delivery hose, working pressure 100 psi
- High flow diesel transfer fuel nozzle
- Carbon ceramic, silicon carbide, tungsten carbide or Viton seals available
- Strainers and couplings

### Rejuvenation kits...

Contain gaskets, mech seal, counterface & complete check valve to make servicing these pumps a breeze.



Due to our program of continuous product development the manufacturer reserves the right to alter specifications without notice.