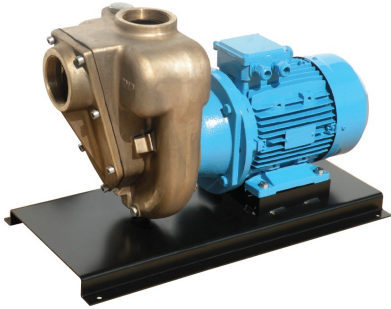




AUSSIE GMP PUMPS ELECTRIC DRIVE CORROSION RESISTANT... 3 YEAR PUMP WARRANTY



Heavy duty cast **Ni Al bronze** & cast **316 stainless steel**, self priming, centrifugal electric drive pumps with high pressure and flows available in a range of sizes from 1" through to 4".

rated electric motor. Pumps are available with standard seals in carbon/Alumina with optional Viton, silicon carbide, tungsten carbide.

DNV approval available for some bronze marine pumps.

These pumps are designed for industrial and agricultural tasks. They are fitted with a heavy duty TEFC single or three phase IP

Features

- Heavy duty cast construction
- Big open impeller
- Self primes from 6 metres
- Replaceable suction cover
- Close coupled to a heavy duty TEFC single or three phase electric motor IP rated
- Cast iron foot mounting, steel base plate on models 4kW & over
- Carbon/Alumina seals standard, other seal options available
- Max temperature 70°C

Benefits

- » Long trouble free life
- » Pumps small solids in suspension
- » Ready to pump in minimum amount of time
- » Easy access to check valve for servicing
- » Electric motor convenience with compact design for ease of installation. Motor can be easily removed for maintenance without disconnecting pipework from pump
- » Stable, easy to install
- » Flexibility of handled liquids

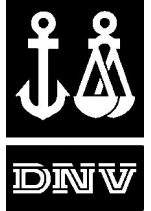
Applications:

NiAl bronze

- Deck wash down
- Bilge pump out
- Salvage pump
- Marine air conditioning
- Diesel transfer

Cast 316 Stainless steel

- Aggressive water pumping
- Sewage handling
- Acid & solvent pumping
- Industrial food waste
- Agricultural chemical transfer
- AdBlue transfer



Specifications

Suct/Del	Model	kW	Motor	IP rating	Total Head (m)	Capacity (l/m)	Solids Handled (mm)	Bronze CAT no.	Stainless steel CAT no.
1" x 1"	B1KQ-A	0.37	240v 415v	54	12	130	6	EA9M EA9N	-
2" x 2"	B2KQ-A	1.5	240v 415v	54	20	440	16	-	EA7T/EA7G
		2.2	240v 415v		19	450	16	EB88 EA7V	EB92 EASM
3" x 3"	B3KQ-A	2.2	240v 415v	54	16	840	27	EAT1 EAT2	-
4" x 4"	B4KQ-A	4	415v	55	15	1650	35	EALE	-
3" x 3"	B3XR-A	4	415v	55	28	1300	19	EALB	EAD2/EALP
		7.5			30	1500	24	EALC EALD	EAC6/EALR
4" x 4"	B4XR-A	15	415v	55	31	2500	39	EAFG	EAAC

High head options ... for transfer long distances or up a steep gradient

2" x 2"	G2TMK-A	2.2	240v	54	34	400	6	EA9H	-	
			415v					EA4R	-	
3" x 3"	G3TMK-A	4	415v	55	40	910	10	EAHS	-	
								5.5	-	EALV
								7.5	-	EALZ
								11	-	EACD
								15	-	-
3" x 3"	B3ZPM-A/B	18	415v	55	70	1200	14	EADV	-	
					22	1200	19	EARV	-	



Due to our program of continuous product development the manufacturer reserves the right to alter specifications without notice.



Aussie Pumps

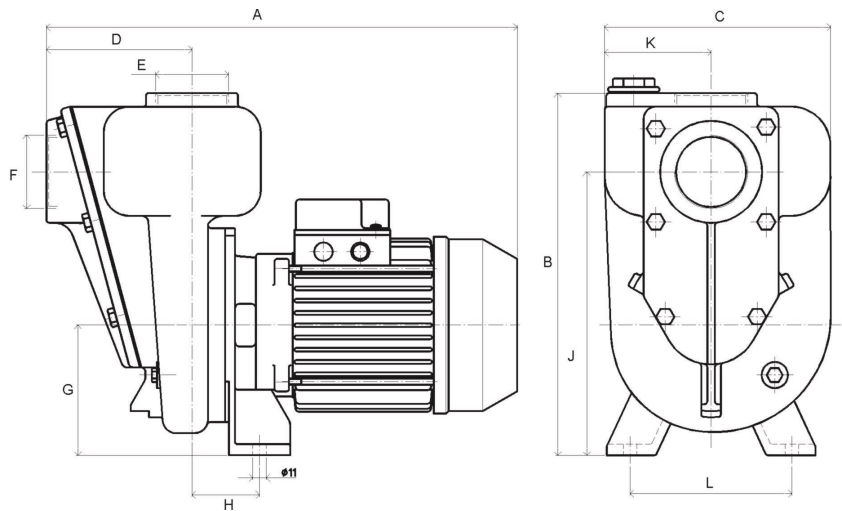
Reliable Products ... Reliable People

AUSSIE GMP PUMPS

ELECTRIC DRIVE CORROSION RESISTANT... 3 YEAR PUMP WARRANTY

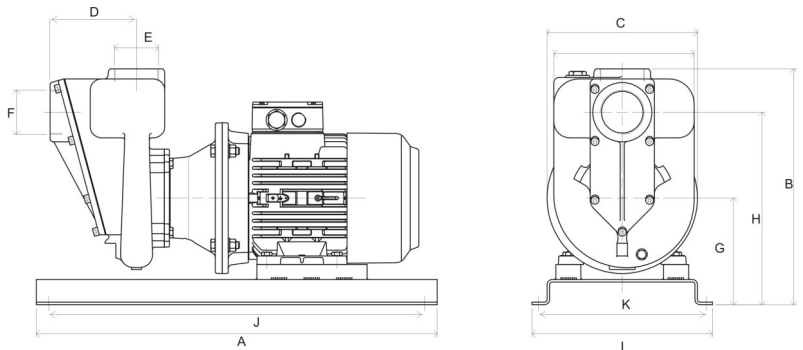
Dimensions:

Model	Length - A (mm)	Height - B (mm)	Width - C (mm)
B1KQ-A	335	295	190
B2KQ-A	410	294	185
B3KQ-A	485	295	190
G2TMK-A	450	316	230



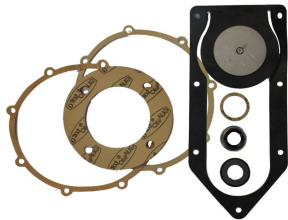
Pumps 4kW & over are mounted on a base plate

Model	Length - A (mm)	Height - B (mm)	Width - I (mm)
B3XR-A 4kW	700	450	360
B3XR-A 5.5kW or 7.5kW	790	470	360
B4KQ-A	700	455	360
B4XR-A	1000	544	470
G3TMK-A 5.5kW or 7.5kW	790	467	360
G3TMK-A 11kW	1000	505	470



Rejuvenation kits...

Contain gaskets, mech seal, counterface & complete check valve to make servicing these pumps a breeze.



Aussie Pumps

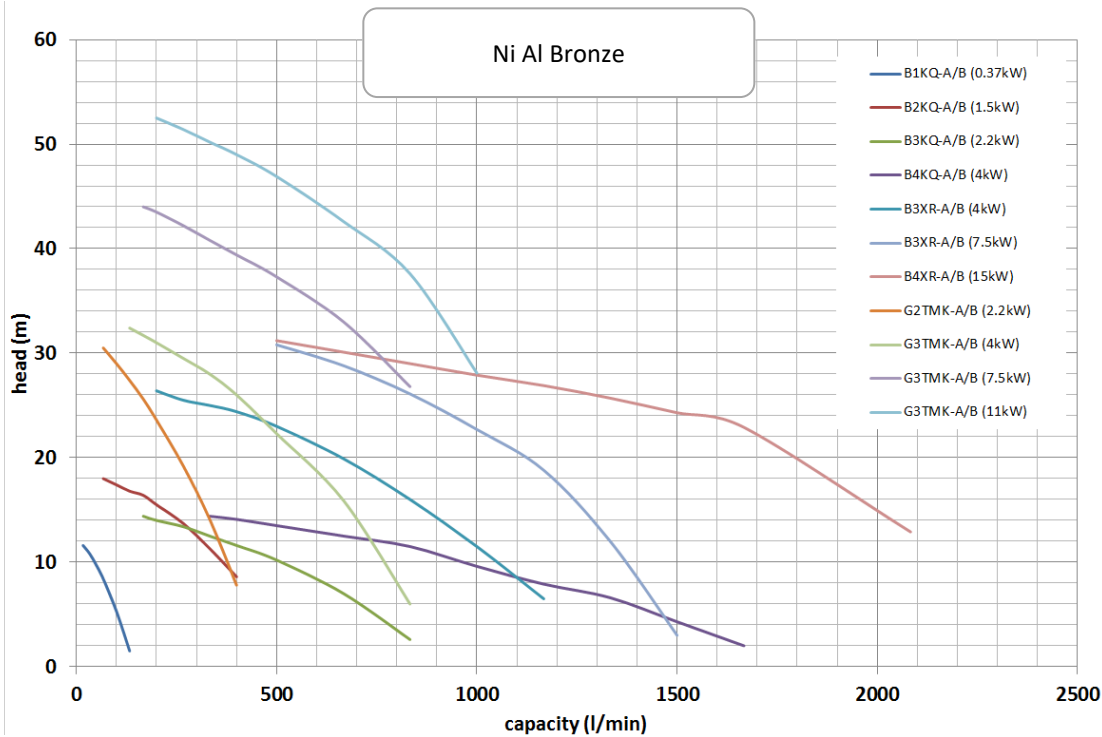
Reliable Products ... Reliable People



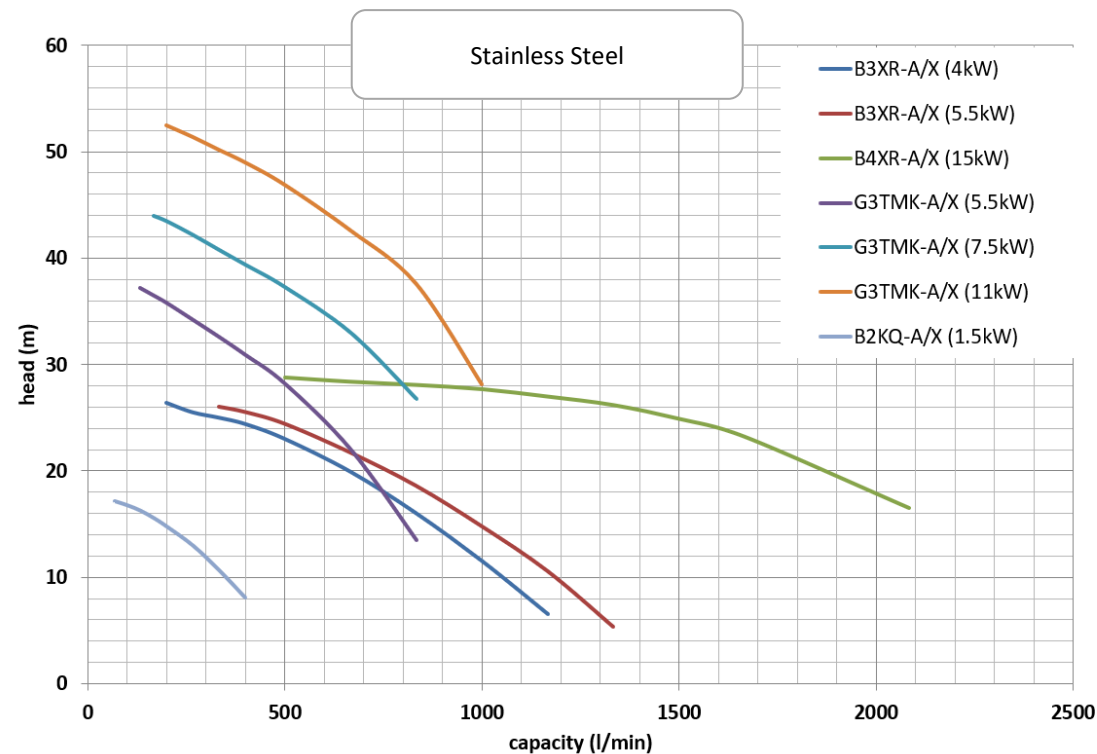
AUSSIE GMP PUMPS

ELECTRIC DRIVE CORROSION RESISTANT... 3 YEAR PUMP WARRANTY

Performance Curves: 2900 rpm



Golden Rule
Operate pump at the best efficiency point ... 85% of max pump head



Curves should be used as a guide only, for detailed performance curves contact Aussie Pumps

Optional Accessories:

- Heavy duty suction hoses 2" and 3"
- Medium pressure lay flat delivery hose, working pressure 100 psi
- Carbon ceramic, silicon carbide, tungsten carbide or Viton seals available

Due to our program of continuous product development the manufacturer reserves the right to alter specifications without notice.