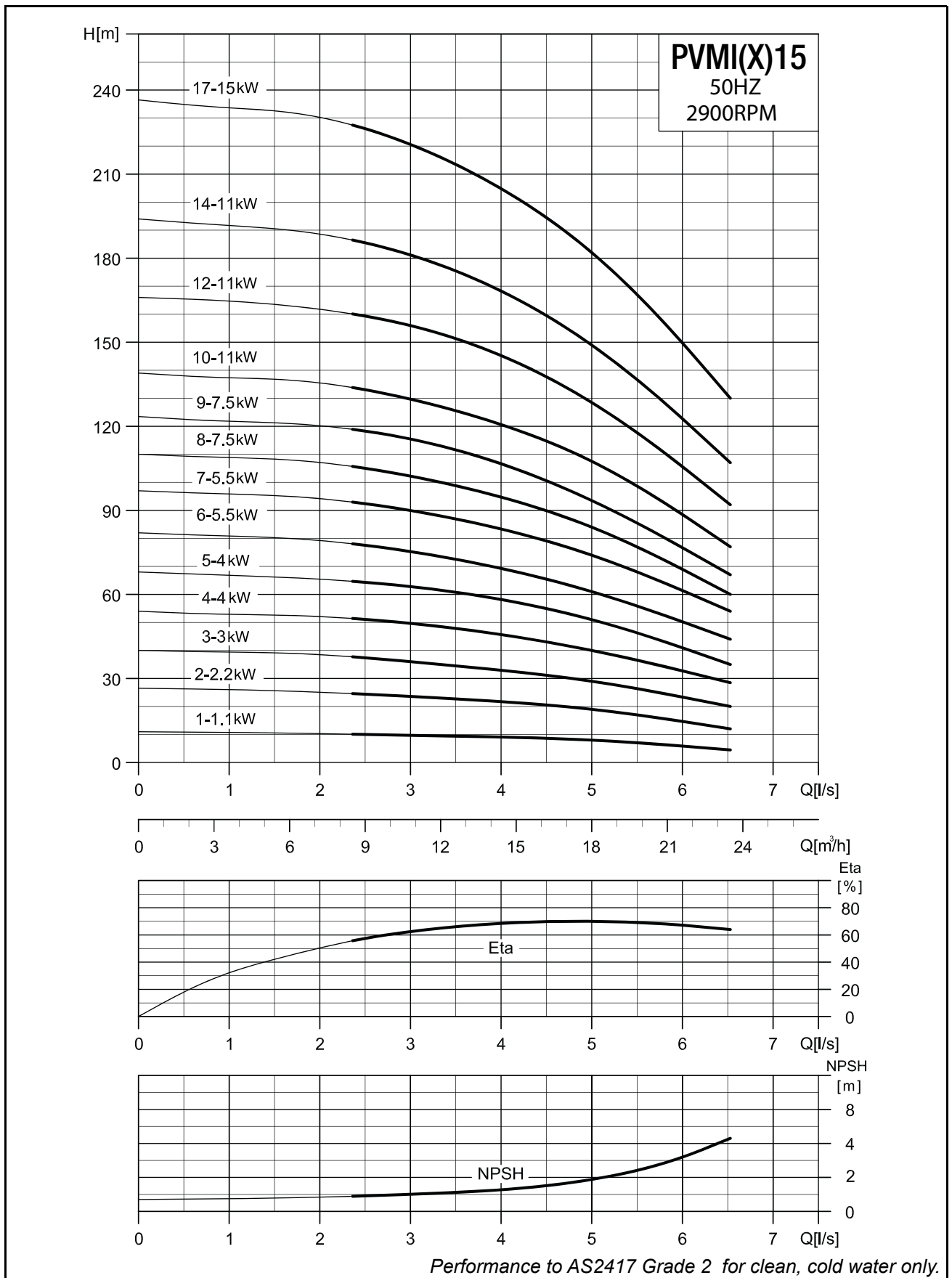


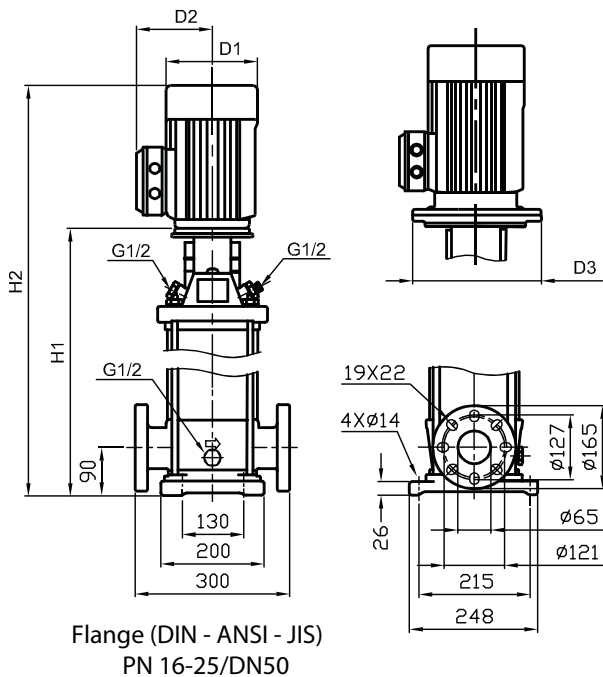
PERFORMANCE DATA


MODEL PVM1 15

PVMI Vertical Multi-Stage Pumps



TECHNICAL DATA



Construction Materials		PVMI	PVMX
Motor Bracket	Ductile Iron	ASTM A530 70-50-05	
Top Cap	Stainless Steel	AISI 304	AISI 316
Impeller	Stainless steel	AISI 304	AISI 316
Shaft	Stainless steel	AISI 431	AISI 316
Outer Sleeve	Stainless Steel	AISI 304	AISI 316
Outer Sleeve O Ring		EPDM	
Diffuser	Stainless Steel	AISI 304	AISI 316
Neck Ring		PTFE	
Base	Stainless Steel	AISI 304	AISI 316
Base plate	Cast Iron	ASTM A48 25B	
Coupling	Fe-Cu-C	MPIF FC0525	
Mechanical Seal	Cartridge Type	SiC/SiC	
Pump Range PVMI/PVMX			
Nominal Flow	15m ³ /h		
Flow Range	9 - 24m ³ /h		
Maximum Head	23 bar		
Max. Inlet Pressure	8 bar (1-3 stages) 10 bar (4-17 stages)		
Max. Operating Pressure	16 bar (1-10 stages) 25bar (12-17 stages)		
Fluid Temperature	-15 to +120°C		
Motor			
Single Phase	220-230/240V		
Three Phase	220-240/380-415V		
Insulation	Class F		
Enclosure	IP55		
Ambient Temp	40°C		
Connections			
Flange	DIN(ISO) PN16/25 DN50 ANSI Class 300 NB50 AS2129 Table D/E NB65 AS2129 Table F/H NB50		

Pump Type	Motor P2(kW)	DIMENSIONS AND WEIGHTS (3 PHASE UNITS)					Net Weight (kg)
		Dimension (mm)					
		H1	H2	D1	D2	D3	
PVMI 15-1	1.1	397	657	160	155	—	42.0
PVMI 15-2	2.2	413	748	175	165	—	48.8
PVMI 15-3	3.0	463	803	200	170	—	57.0
PVMI 15-4	4.0	508	913	220	188	—	65.4
PVMI 15-5	4.0	553	958	220	188	—	66.8
PVMI 15-6	5.5	630	1060	275	213	300	91.6
PVMI 15-7	5.5	675	1105	275	213	300	93.0
PVMI 15-8	7.5	720	1150	275	213	300	102.4
PVMI 15-9	7.5	765	1205	275	213	300	103.8
PVMI 15-10	11.0	887	1392	314	260	350	180.9
PVMI 15-12	11.0	977	1482	314	260	350	183.7
PVMI 15-14	11.0	1067	1572	314	260	350	186.5
PVMI 15-17	15.0	1202	1707	314	260	350	190.7

PVMI 15 Motor Data										
Power (kW)	1.1	1.5	2.2	3.0	4.0	5.5	7.5	11.0	15.0	
In (A) 1 x 240V	6.50	8.70	12.5	16.7	—	—	—	—	—	
In (A) 3 x 415V	2.83	3.70	5.20	6.10	7.7	9.9	14.9	21.2	29.2	

Performance to AS2417 Grade 2 for clean, cold water only.