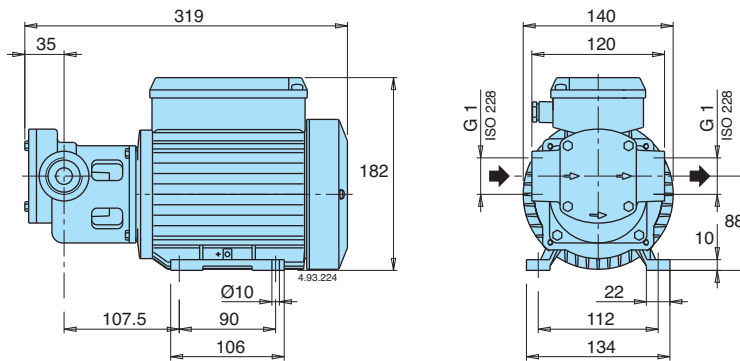
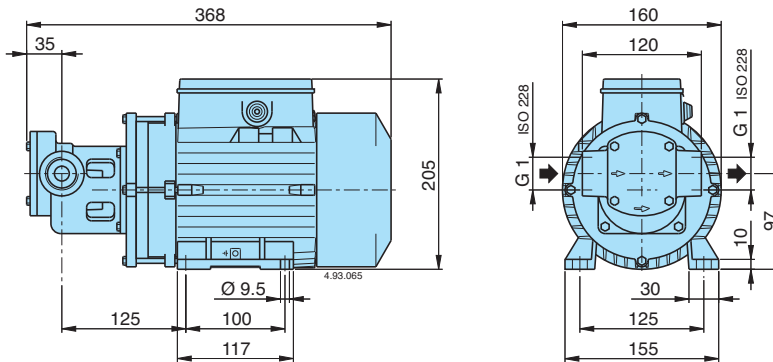


Dimensions and weights

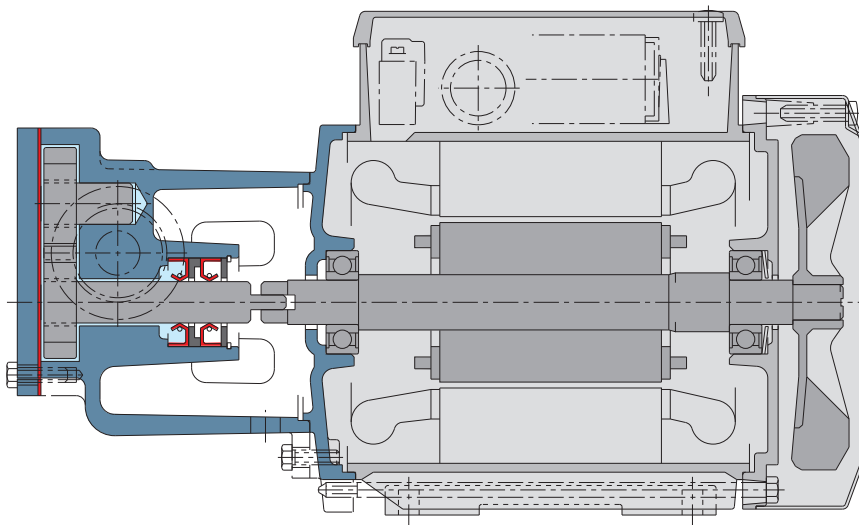
- I 25/4/A: 10 kg
- IM 25/4/A: 11,7 kg
- IR 25/4/A: 11,6 kg



- IRR 25/4/A: 17,6 kg



Features



Innovative structure

The flanged pump casing and two piece shaft allows the hydraulics to be disassembled easier, facilitating quick maintenance operations.