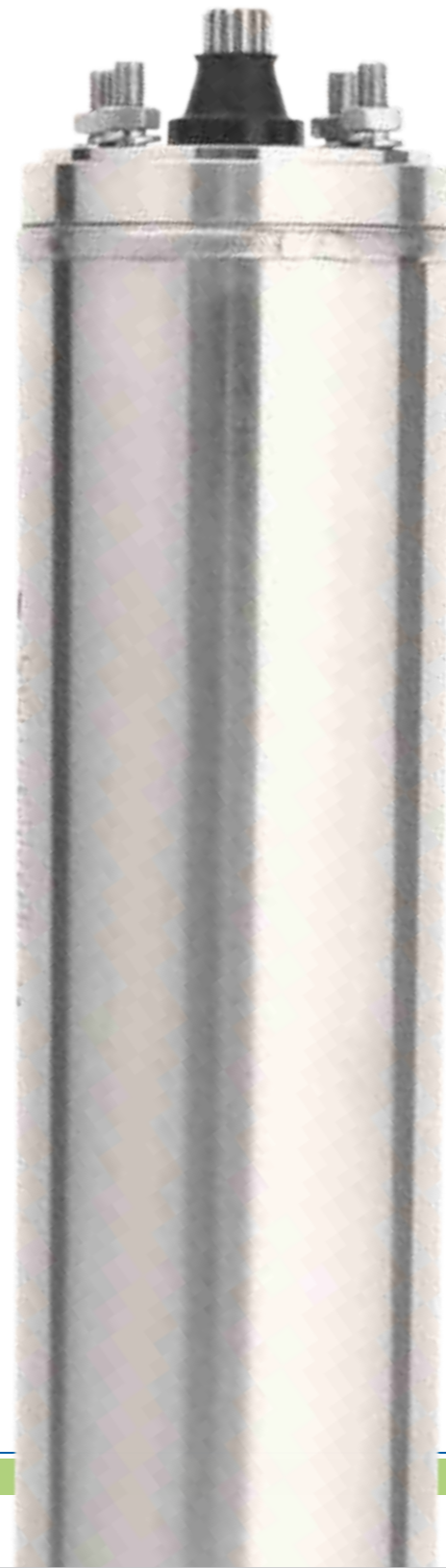


Submersible Motors

4" WATER LUBRICATED SUBMERSIBLE MOTORS (RE-WINDABLE)



TECHNICAL SPECIFICATIONS:

- 4" RAINDROP Water Lubricated Motors are rewindable.
- Coupling dimensions as per NEMA standard.
- Winding wire : Polywrapped.
- Degree of protection : Ip68.
- Max water temperature : 35° C.
- Start per hour : 30 time (Max.).
- Allowable voltage variation +6% - 10%.
- Motor shaft of Stainless Steel.
- Stator shell of Stainless Steel.
- Max depth immersion : 250 M.
- Mounting : vertical / horizontal.
- Upper / Lower bracket in Cast Iron with Epoxy Paint OR
- Upper Bracket Steel Cast/ Lower bracket with SS Cladding.
- Single Phase Motors are Capacitor start and run.
- Motor Cable length : 3 Meter (3 Core / 4 Core).
- Coolant : Clear Water.

VERSIONS:

Single Phase : 0.37 kW to 2.20 kW, 220 - 230Volt / 50 Hz.

0.37 kW to 2.20 kW, 230Volt / 60 Hz.

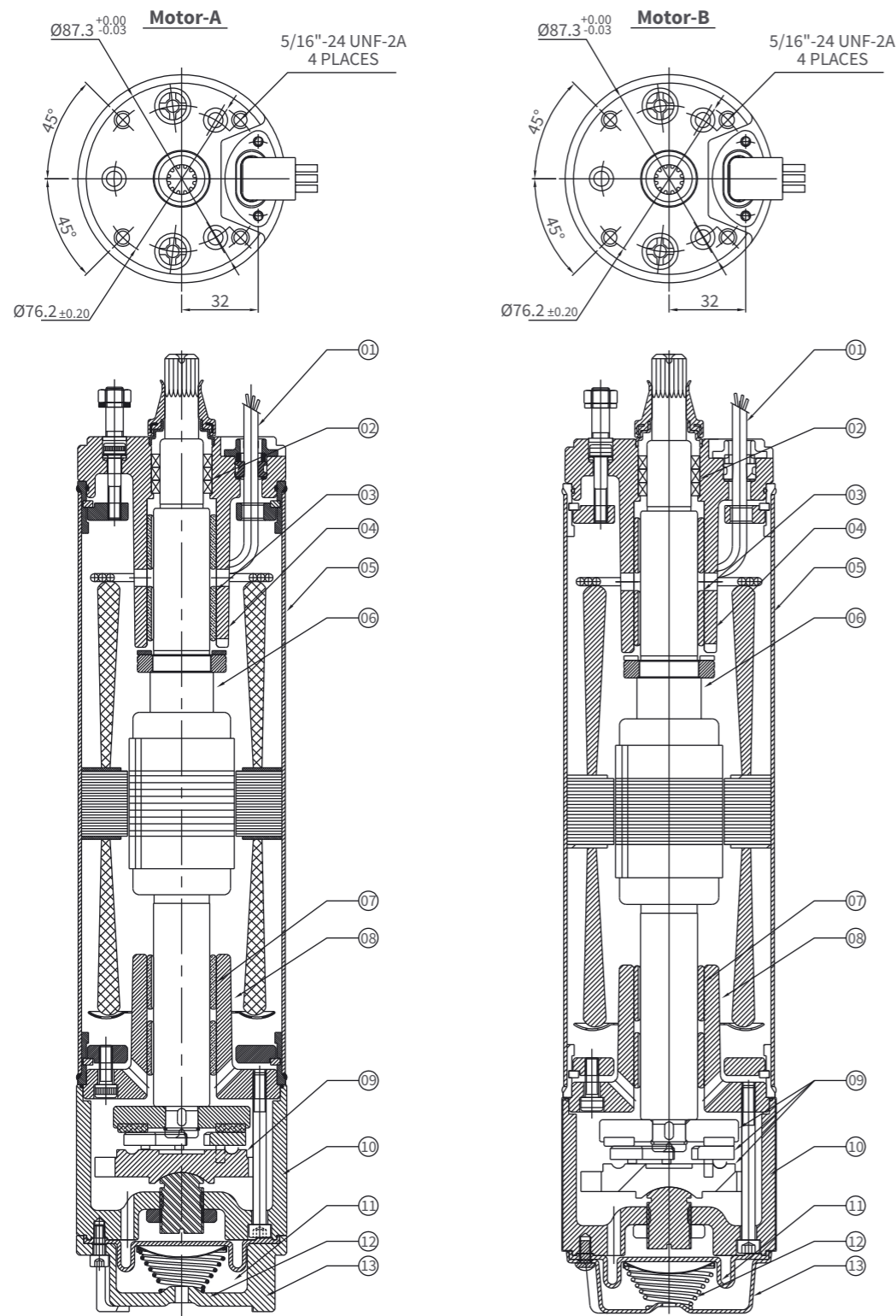
Three Phase : 0.55 kW to 7.50 kW, 380 - 415Volt / 50 Hz.

0.37 kW to 7.50 kW, 230 - 380 - 460Volt /60 Hz.

Motors with other Voltage and frequency ratings are also available on specific demand.

4" W/L Rewindable Motor Design

Exploded View of Spare Parts of Motors



MOTOR-A

SR NO.	PART'S NAME	MATERIAL
01	CABLE 3 CORE/4 CORE	EPR
02	OIL SEAL	N.B.R
03	BEARING BUSH	CARBON
04	UPPER HOUSING	CI.(FG-200)
05	MOTOR PIPE	STAINLESS STEEL
06	ROTOR SHAFT	S.S.420
07	BEARING BUSH	CARBON
08	LOWER HOUSING	CI.(FG-200)
09	THRUST BEARING SET	CARBON / S.S.420
10	LOWER PART-2	CI.(FG-200)
11	PRESSURE CUP	N.B.R
12	SPRING	S.S.304
13	MOTOR BASE	CI.(FG-200)
14	ALL HARDWARE	S.S.304

MOTOR-B

SR NO.	PART'S NAME	MATERIAL
01	CABLE 3 CORE/4 CORE	EPR
02	OIL SEAL	N.B.R
03	BEARING BUSH	CARBON
04	UPPER HOUSING	S.S.304
05	MOTOR PIPE	STAINLESS STEEL
06	ROTOR SHAFT	S.S.420
07	BEARING BUSH	CARBON
08	LOWER HOUSING	S.S.304
09	THRUST BEARING SET	CARBON / S.S.420
10	LOWER PART-2	S.S.304
11	PRESSURE CUP	N.B.R
12	SPRING	S.S.304
13	MOTOR BASE	S.S.304
14	ALL HARDWARE	S.S.316

PN		PW L [mm] C.I. / S.S.	Motor Weight [kg]		Motor Weight (incl.pkg) [kg]	
[kW]	[HP]		S.S. 304	Cast Iron	S.S. 304	Cast Iron
0.37	0.50	535.00	12.9	13.2	15	15
0.75	1.00	570.00	16.9	17.2	20.2	20.2
1.50	2.00	590.00	20	21	23	24
2.20	3.00	640.00	22.5	23.6	25.2	26.2
2.94	4.00	680.00	25.8	27.6	31	32.2
3.70	5.50	740.00	33.5	35.4	38	39.0
4.40	6.00	800.00	34	36	38.2	39.2
5.50	7.50	880.00	36.2	38.4	40.5	42
7.50	10.00	1020.00	40.9	43	44	46.4

Submersible Motors

CSCR Performance Data of Single Phase Motors (220-230 Volt / 50 Hz)

PN		Thrust Load [N]	UN [V]	nN [min-1]	IN [A]	IA [A]	η (Eff.) [%] at % load			cos φ (PF) at % load			TN [Nm]	TA [Nm]	Capacitor Running μF (Uc=450V)	Capacitor Starting μF (Uc=270V)
[H.P.]	[kW]						50	75	100	50	75	100				
0.50	0.37						1500	220	2890	4.21	15.11	50				
			230	2890	4.00	14.30	50	60	62	0.51	0.64	0.74	1.21	2		
0.75	0.55	1500	220	2895	6.29	24.11	51	59	63	0.49	0.60	0.69	1.79	2.7	72	100-120
			230	2895	6.00	23.00	51	59	63	0.49	0.60	0.69	1.79	2.7		
1.00	0.75	1500	220	2890	7.59	29.5	55	63	64	0.55	0.66	0.76	2.51	4.1	72	100-120
			230	2890	7.31	28.2	55	63	64	0.55	0.66	0.76	2.51	4.1		
1.50	1.10	3000	220	2890	9.58	41.3	57	66	68	0.58	0.72	0.80	3.69	6.0	72	100-120
			230	2890	8.90	39.5	57	66	68	0.58	0.72	0.80	3.69	6.0		
2.00	1.50	3000	220	2880	11.58	55.7	61	67	68	0.70	0.82	0.88	4.89	8.28	72	100-120
			230	2880	11.10	53.5	61	67	68	0.70	0.82	0.88	4.89	8.28		
3.00	2.20	4000	220	2885	16.71	83	62	68	70	0.71	0.81	0.88	7.41	14	108	120-150
			230	2885	15.89	87	62	68	70	0.71	0.81	0.88	7.41	14		
4.00	3.00	4000	220	2885	20.6	103	62	68	71	0.73	0.82	0.88	9.75	18.5	108	120-150
			230	2885	20.3	112	62	68	71	0.73	0.82	0.88	9.75	18.5		

CSR Performance Data of Single Phase (220-230 Volt / 50 Hz)

PN		Thrust Load [N]	UN [V]	nN [min-1]	IN [A]	IA [A]	η [%]			cos φ			TN [Nm]	TA [Nm]	Capacitor Running F (Uc=450V)
[H.P.]	[kW]						50	75	100	50	75	100			
0.50	0.37						1500	220	2855	3.21	10.6	37			
			230	2860	3.40	11.3	36	47	54	0.82	0.84	0.93	1.21	1.02	
0.75	0.55	1500	220	2845	4.19	15.38	47	58	64	0.91	0.94	0.97	1.86	1.28	72
			230	2855	4.29	16.11	46	57	64	0.82	0.91	0.93	1.86	1.42	
1.00	0.75	1500	220	2845	5.79	20.21	45	56	61	0.95	0.98	0.99	2.45	1.99	72
			230	2855	5.70	21.10	43	53	61	0.91	0.96	0.98	2.45	2.19	
1.50	1.10	3000	220	2850	8.41	30.11	47	58	64	0.91	0.95	0.98	3.70	2.81	72
			230	2855	8.58	31.50	44	54	63	0.82	0.90	0.95	3.70	3.10	
2.00	1.50	3000	220	2805	10.59	33.91	52	62	68	0.92	0.95	0.98	4.97	3.28	72
			230	2825	10.59	35.38	50	59	67	0.81	0.90	0.96	4.97	3.62	
3.00	2.20	4000	220	2815	16.00	54.1	52	60	64	0.95	0.96	0.99	7.41	4.37	108
			230	2840	15.51	56.6	51	62	66	0.85	0.92	0.97	7.41	4.82	
4.00	3.00	4000	220	2810	20.1	72	55	61	66	0.94	0.96	0.96	10	6	108
			230	2830	20.0	74	52	61	67	0.85	0.93	0.97	9.94	6.5	

- PN - Rated Output
- UN - Rated Voltage
- nN - RPM
- IN - Full Load Current
- IA - Starting Current
- η - Motor Efficiency
- cosφ - Power Factor
- TN - Full Load Torque
- TA - Starting Torque
- F{N}- Axial Thrust Load

Performance Data of Three Phase Motors (380-415 Volt / 50 Hz)

PN		Thrust F [N]	UN [V]	nN [min-1]	IN [A]	IA [A]	η (Eff.) [%] at % load			cos φ (PF) at % load			TN [Nm]	TA [Nm]
[H.P.]	[kW]						50	75	100	50	75	100		
0.75	0.55						1500	380	2835	1.59	6.00	60		
			400	2855	1.59	6.38	58	65	67	0.54	0.68	0.75	1.89	3.51
			415	2875	1.70	6.61	55	64	66	0.50	0.64	0.80	1.89	3.70
1.00	0.75	1500	380	2845	2.11	8.88	64	67	70	0.58	0.71	0.79	2.50	4.81
			400	2870	2.11	9.30	60	68	69	0.51	0.64	0.75	2.50	5.32
			415	2880	2.20	9.81	58	65	68	0.49	0.61	0.72	2.50	5.89
1.50	1.10	3000	380	2825	3.00	13.70	68	72	73	0.58	0.72	0.81	3.79	9.61
			400	2840	3.00	14.51	67	71	73	0.53	0.67	0.75	3.69	10.60
			415	2860	3.11	15.28	65	70	72	0.50	0.62	0.72	3.69	11.49
2.00	1.50	3000	380	2845	3.91	18.59	68	72	73	0.60	0.72	0.81	5.0	11.31
			400	2855	4.00	19.21	66	72	73	0.54	0.66	0.77	5.0	12.60
			415	2870	4.10	20.21	64	70	72	0.49	0.62	0.73	4.9	13.49
3.00	2.20	4000	380	2820	5.80	28.68	71	75	75	0.59	0.72	0.81	7.59	21.71
			400	2840	5.91	28.90	70	73	75	0.51	0.65	0.76	7.51	23.61
			415	2870	6.29	30.78	66	71	74	0.46	0.60	0.69	7.51	25.90
4.00	3.00	4000	380	2810	8.5	29.5	62	67	70	0.72	0.78	0.82	10	16
			400	2820	8.2	31.0	61	66	68	0.71	0.77	0.80	9.97	17.95
			415	2850	8.0	33.0	60	65	67	0.70	0.76	0.80	9.87	18.75
5.50	4.00	4000	380	2790	10.79	32.29	62	67	71	0.72	0.79	0.83	13.39	21.25
			400	2790	10.51	34.00	61	65	69	0.70	0.76	0.82	13.30	23.54
			415	2810	10.0	35.00	59	64	66	0.69	0.74	0.82	13.30	25.29
7.50	5.50	4000	380	2785	14.79	50.4	69	73	74	0.74	0.79	0.84	18.93	37.19
			400	2790	14.51	53.0	68	72	73	0.74	0.79	0.84	18.92	41.21
			415	2810	14.00	54.9	67	69	71	0.73	0.77	0.83	18.81	44.35
10.0	7.50	4000	380	2855	18.00	61.1	70	72	73	0.98	0.95	0.92	24.58	45.10
			400	2860	18.31	62.0	67	71	72	0.99	0.94	0.91	24.51	46.00
			415	2880	18.79	65.9	66	68	70	0.97	0.92	0.88	24.40	47.51

- PN - Rated Output
- UN - Rated Voltage
- nN - RPM
- IN - Full Load Current
- IA - Starting Current
- η - Motor Efficiency
- cosφ - Power Factor
- TN - Full Load Torque
- TA - Starting Torque
- F{N}- Axial Thrust Load

Performance Data of 4" Rewindable Single Phase (W/L) Motors / 60 Hz (CSR)

PN		Thrust Load [N]	UN [V]	nN [min-1]	IN [A]	IA [A]	η (Eff.) [%] at % load			cos φ (PF) at % load			TN [Nm]	TA [Nm]	Capacitor Running μF (Uc=450V)
[H.P.]	[kW]						50	75	100	50	75	100			
0.5	0.37						3000	230	3450	4.2	10.7	43			
0.75	0.55	3000	230	3450	5	15.4	50	60	67	0.83	0.91	0.95	1.53	1.16	72
1.0	0.75	3000	230	3460	7	20.2	46	55	62	0.90	0.95	0.98	2.03	1.81	72
1.5	1.1	3000	230	3450	9.5	30.1	49	59	67	0.81	0.88	0.93	3.06	2.57	72
2.0	1.5	3000	230	3450	12	33.9	53	63	70	0.83	0.91	0.96	4.07	2.97	72
3.0	2.2	4000	230	3430	16	54.2	58	68	73	0.87	0.94	0.98	6.15	4.00	108

- PN - Rated Output
- UN - Rated Voltage
- nN - RPM
- IN - Full Load Current
- IA - Starting Current
- η - Motor Efficiency
- cosφ - Power Factor
- TN - Full Load Torque
- TA - Starting Torque
- F(N) - Axial Thrust Load

Performance Data of 4" Rewindable Single Phase (W/L) Motors / 60 Hz (CSCR)

PN		Thrust Load [N]	UN [V]	nN [min-1]	IN [A]	IA [A]	η (Eff.) [%] at % load			cos φ (PF) at % load			TN [Nm]	TA [Nm]	Capacitor Running ηF (Uc=450V)	Capacitor Starting μF (Uc=270V)
[H.P.]	[kW]						50	75	100	50	75	100				
0.5	0.37						3000	230	3480	4.2	15.2	57				
0.75	0.55	3000	230	3485	6.5	24.2	57	65	68	0.49	0.59	0.70	1.51	2.27	72	100-120
1.0	0.75	3000	230	3490	7.8	30	54	62	65	0.53	0.64	0.73	2.01	3.3	72	100-120
1.5	1.1	3000	230	3490	9.6	41.5	60	67	70	0.59	0.70	0.79	3.04	4.92	72	100-120
2.0	1.5	3000	230	3480	12.5	55.3	63	71	74	0.69	0.80	0.89	4.04	6.87	72	100-120
3.0	2.2	4000	230	3475	16.5	82	67	74	77	0.70	0.81	0.89	6.07	11.5	108	120-150
5.5	4.0	4000	230	3450	26.0	130	68	74	77	0.70	0.82	0.98	11.2	21.2	108	200-250

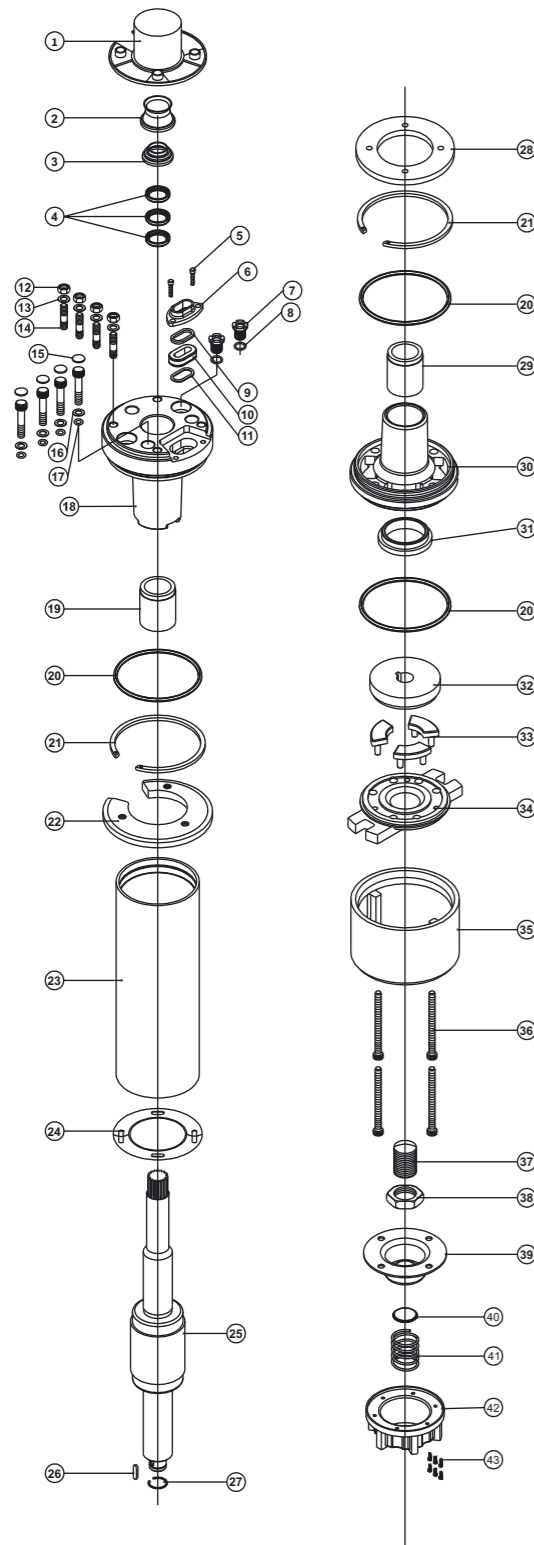
- PN - Rated Output
- UN - Rated Voltage
- nN - RPM
- IN - Full Load Current
- IA - Starting Current
- η - Motor Efficiency
- cosφ - Power Factor
- TN - Full Load Torque
- TA - Starting Torque
- F(N) - Axial Thrust Load

Performance Data of 4" Rewindable Three Phase Motors / 60 Hz

PN		Thrust Load [N]	UN [V]	nN [min-1]	IN [A]	IA [A]	η (Eff.) [%] at % load			cos φ (PF) at % load			TN [Nm]	TA [Nm]
[H.P.]	[kW]						50	75	100	50	75	100		
0.5	0.37						3000	230	3445	2.41	9.6	59		
		380	3445	1.42	5.6	59		62	64	0.58	0.71	0.79	1.02	1.96
		460	3445	1.21	4.8	59		62	64	0.58	0.71	0.79	1.02	2.24
0.75	0.55	3000	230	3450	3.10	12.4	63	67	69	0.57	0.71	0.80	1.53	2.3
			380	3450	1.91	7.6	63	67	69	0.57	0.71	0.80	1.53	2.5
			460	3450	1.60	6.4	63	67	69	0.57	0.71	0.80	1.53	2.75
1.0	0.75	3000	230	3455	3.91	17.55	65	68	70	0.59	0.72	0.81	2.03	3.55
			380	3455	2.32	10.35	65	68	70	0.59	0.72	0.81	2.03	3.9
			460	3455	2.00	9	65	68	70	0.59	0.72	0.81	2.03	4.47
1.5	1.1	3000	230	3445	5.00	25	70	73	76	0.61	0.76	0.83	3.04	6.69
			380	3445	3.00	15	70	73	76	0.61	0.76	0.83	3.04	7.7
			460	3445	2.51	12.5	70	73	76	0.61	0.76	0.83	3.04	8.2
2.0	1.5	3000	230	3445	6.71	33.5	64	66	69	0.59	0.73	0.81	4.08	8.16
			380	3445	4.11	20.5	64	66	69	0.59	0.73	0.81	4.08	9.22
			460	3445	3.40	17	64	66	69	0.59	0.73	0.81	4.08	10.2
3.0	2.2	4000	230	3450	9.51	47.5	70	73	75	0.52	0.65	0.74	6.11	15.3
			380	3450	5.80	29	70	73	75	0.52	0.65	0.74	6.11	17.4
			460	3450	4.82	24	70	73	75	0.52	0.65	0.74	6.11	18.33
5.5	4.0	6500	230	3450	15.91	55.65	69	71	74	0.52	0.66	0.75	11.2	15.70
			380	3450	9.62	33.6	69	71	74	0.52	0.66	0.75	11.2	17.70
			460	3450	8.00	28	69	71	74	0.52	0.66	0.75	11.2	19.04
7.5	5.5	6500	230	3445	23.0	92	71	73	76	0.56	0.68	0.77	15.30	22.95
			380	3445	13.91	55.6	71	73	76	0.56	0.68	0.77	15.30	30.00
			460	3445	11.51	46	71	73	76	0.56	0.68	0.77	15.30	33.70
10.0	7.5	6500	230	3450	27.1	95	70	73	75	0.58	0.71	0.80	20.4	32.64
			380	3450	19.29	67.55	70	73	75	0.58	0.71	0.80	20.4	37.33
			460	3450	15.91	55.65	70	73	75	0.58	0.71	0.80	20.4	44.90

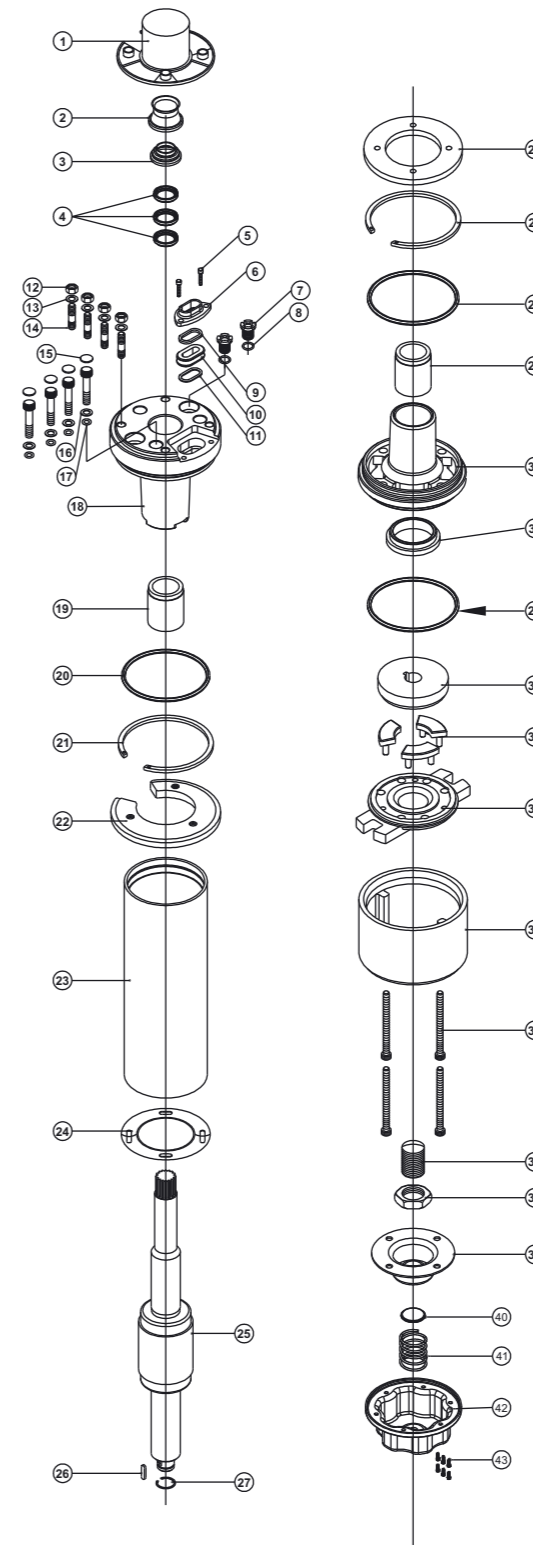
- PN - Rated Output
- UN - Rated Voltage
- nN - RPM
- IN - Full Load Current
- IA - Starting Current
- η - Motor Efficiency
- cosφ - Power Factor
- TN - Full Load Torque
- TA - Starting Torque
- F(N) - Axial Thrust Load

Exploded View of Spare Parts of Motors C.I. Motor Base



No.	PART'S NAME
1	PLASTIC CAP
2	SAND GUARD(WITH INSERT)
3	UPPER CAP
4	OIL SEAL
5	CABLE CLIP SCREW
6	CABLE PROTECTOR CAP
7	DRAIN PLUG
8	DRAIN PLUG'O' RING
9	PLASTIC GROMMET WASHER
10	RUBBER GROMMET
11	S.S. GROMMET WASHER
12	HEX NUT
13	STUD WASHER
14	UPPER STUD
15	ALLEN BOLT CAP
16	ALLEN BOLT WASHER
17	ALLEN BOLT 'O' RING
18	UPPER HOUSING
19	BEARING BUSH UPPER SIDE
20	'O' RING
21	CIR CLIP
22	UPPER FLANGE
23	STATOR BODY
24	WINDING CAP
25	ROTOR STAMPING
26	ROTOR KEY
27	ROTOR CIR CLIP
28	LOWER FLANGE
29	BEARING BUSH LOWER SIDE
30	LOWER HOUSING
31	FIBER C.T BEARING
32	CARBON PLATE
33	SEGMENT
34	COUNTER BEARING
35	LOWER PART -2
36	ALLEN BOLT (LOWER SIDE)
37	ROCKER
38	ROCKER LOCK NUT
39	PRESSURE CUP
40	SPRING JACKET
41	SPRING
42	MOTOR BASE
43	ALLEN BOLT

Exploded View of Spare Parts of Motors S.S. Motor Base



No.	PART'S NAME
1	PLASTIC CAP
2	SAND GUARD(WITH INSERT)
3	UPPER CAP
4	OIL SEAL
5	CABLE CLIP SCREW
6	CABLE PROTECTOR CAP
7	DRAIN PLUG
8	DRAIN PLUG'O' RING
9	PLASTIC GROMMET WASHER
10	RUBBER GROMMET
11	S.S. GROMMET WASHER
12	HEX NUT
13	STUD WASHER
14	UPPER STUD
15	ALLEN BOLT CAP
16	ALLEN BOLT WASHER
17	ALLEN BOLT 'O' RING
18	UPPER HOUSING
19	BEARING BUSH UPPER SIDE
20	'O' RING
21	CIR CLIP
22	UPPER FLANGE
23	STATOR BODY
24	WINDING CAP
25	ROTOR STAMPING
26	ROTOR KEY
27	ROTOR CIR CLIP
28	LOWER FLANGE
29	BEARING BUSH LOWER SIDE
30	LOWER HOUSING
31	FIBER C.T BEARING
32	CARBON PLATE
33	SEGMENT
34	COUNTER BEARING
35	LOWER PART -2
36	ALLEN BOLT (LOWER SIDE)
37	ROCKER
38	ROCKER LOCK NUT
39	PRESSURE CUP
40	SPRING JACKET
41	SPRING
42	MOTOR BASE
43	ALLEN BOLT