

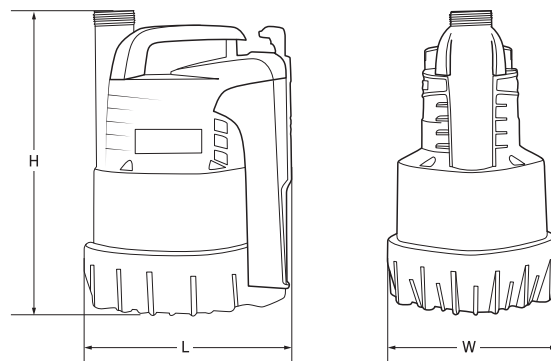
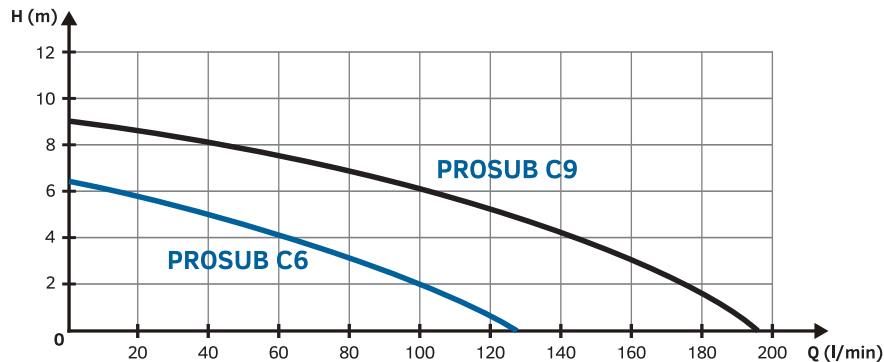
# Drainage Clear Water PROSUB C6/C9

- Compact
- Integrated Float Switch
- Plug & Play
- 🇮🇹 Designed in Italy

**3**  
YEAR  
WARRANTY



Model	PROSUB C6	PROSUB C9	
<b>Electrical data</b>	P2 Power consumption [W]	170	250
	Voltage [V]	1 ~ 220-240 AC	1 ~ 220-240 AC
	Frequency [Hz]	50	50
	Current [A]	1.3	2.5
	Capacitor nF	8	10
	Capacitor Vc	450	450
<b>Hydraulic data</b>	Flow rate max. [l/min]	125	195
	Max. Head [m]	6.5	9
	Max. Immersion depth [m]	7	7
	Low suction capability/automatic mode [mm]	45	45
	Low suction capability/manual mode [mm]	2-3	2-3
<b>Range of use/materials</b>	Length of Power Cable [m]	10	10
	Cable	H05 RNF	H05 RNF
	Pump International protection	IP X 8	IP X 8
	Insulation Class	F	F
	Liquid range Temperature [°C]	0 °C / +35 °C	0 °C / +35 °C
	Dimension of particles [mm]	5	5
<b>Dimensions / weight</b>	L x W x H [mm]	230 x 230 x 426	230 x 230 x 426
	DNM GAS	1" 1/4 M	1" 1/4 M
	Box Dimensions l x w x h [cm]	25 x 25 x 44.6	25 x 25 x 44.6
	Net/Gross Weight [kg]	3.5 / 4.5	3.5 / 4.5
	Quantity for pallet [no.]	60+40	60+40



#### WHITE INTERNATIONAL PTY LTD

60 Ashford Ave Milperra NSW 2214  
 PO Box 304 Milperra NSW 2214  
 Phone 02 9783 6000 Fax 02 9783 6001  
 Customer Service 1300 783 601  
 Email Sales: pumpsales@whiteint.com.au  
[www.whiteint.com.au](http://www.whiteint.com.au)

#### WHITE INTERNATIONAL NZ LTD

15G Kerwyn Avenue  
 East Tamaki, Auckland 2013, New Zealand  
 Phone 09 579 9777 Fax 09 579 7775  
 Customer Service 0800 509 506  
 Customer Service Fax 0800 804 344  
 Email Sales: sales@whiteint.co.nz  
[www.whiteint.co.nz](http://www.whiteint.co.nz)

