

# MULTI LEVEL FLOAT TREES - 3 FLOAT

The Multi Float Tree is a unique combination of floats, configured in a way that minimises installation/setup time and overcomes the many issues associated with float switch installations.

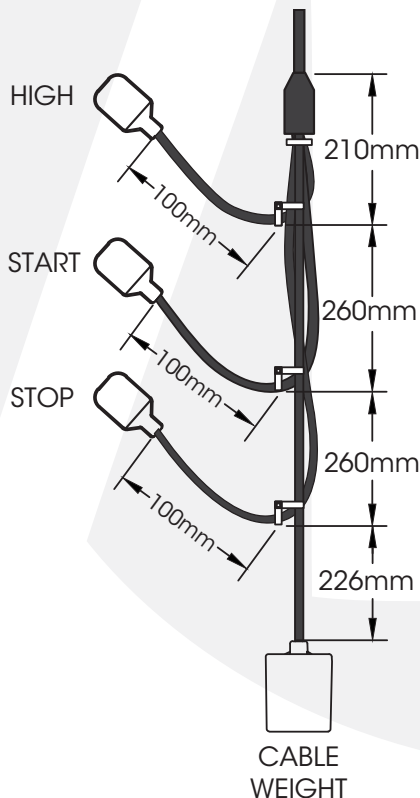
## FEATURES

- Resin falled/potted connection - Fully submersible
- Horizontal pivot point for switching accuracy and consistency
- Weighted - Obviating flow induced travel No more tangled floats
- No more setting up with conduits and ties
- No more trying to pull multiple float wires through undersized conduit
- No more trying to decipher which wires relate to which floats

## SPECIFICATIONS

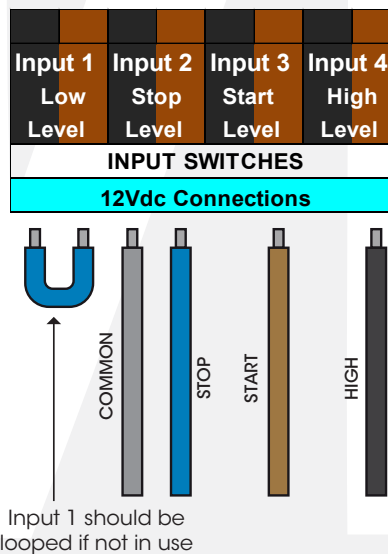
- **Liquid temperature:** Min 0°C (32°F), max 60°C (140°F)
- **Protection:** IP68
- **Maximum depth:** 9m (30ft)
- **Contact type:** Mechanically activated, snap action N/O contacts (close on rise)
- **Max voltage:** 250Vac 50/60Hz
- **Max run current:** 6 Amps (resistive)
- **Cable material:** Floats - Neoprene rubber, Multicore - Polyvinyl chloride
- **Multicore cable size:** ø8mm / 4 x .75mm<sup>2</sup>
- **Housing material:** Polypropylene

## DIMENSIONS



## CONNECTIONS

These terminals are specific to MATElec Standard Single & Dual Pump Controllers



## 3 FLOAT TREE RANGE

Code	Description	Cable Length	Packing	MOQ	Ctn
FSW-12545	Multi Level Float Tree - 3 Float	10m	1	1	8
FSW-12547	Multi Level Float Tree - 3 Float	20m	1	1	5