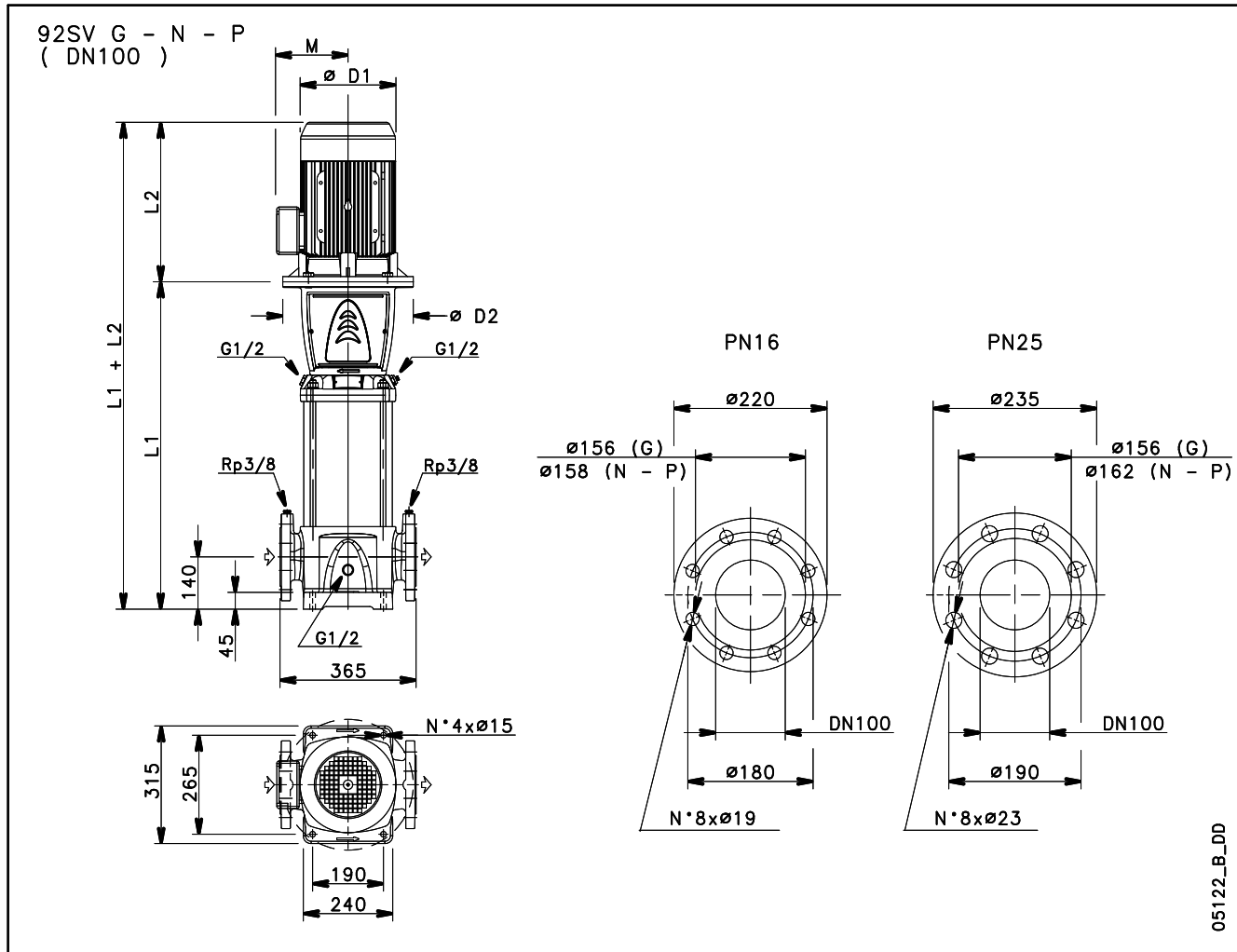
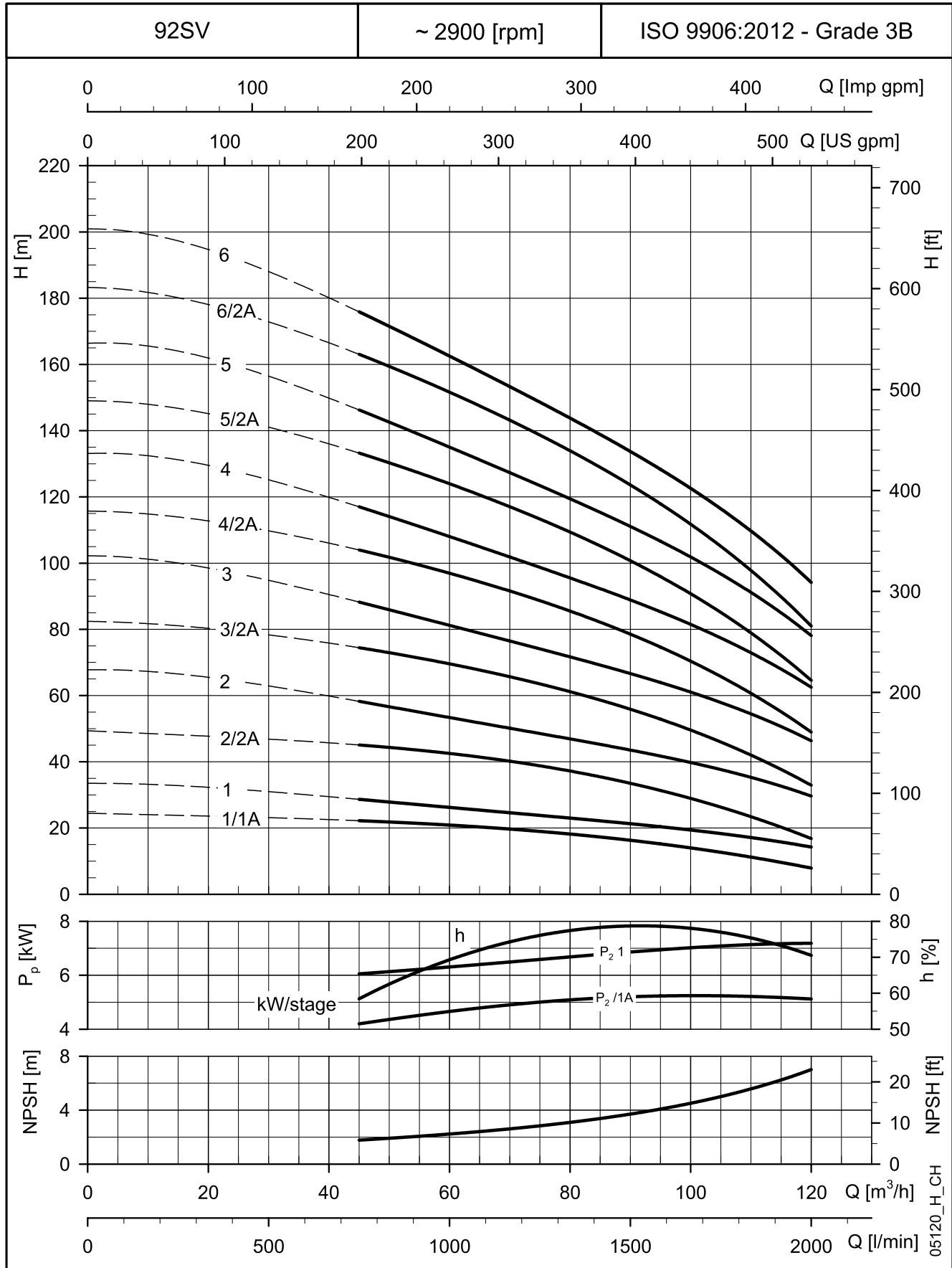


**92SV SERIES  
DIMENSIONS AND WEIGHTS AT 50 Hz, 2 POLES**


PUMP TYPE	MOTOR		DIMENSIONS (mm)						WEIGHT kg	
	kW	SIZE	L1	L2	D1	D2	M	PN	PUMP	ELECTRIC PUMP
92SV1/1A../D	5,5	132	574	375	214	300	168	16	71	109
92SV1../E	7,5	132	574	345	264	300	186	16	71	122,7
92SV2/2A../D	11	160	699	428	256	350	191	16	80	150
92SV2../E	15	160	699	500	321	350	240	16	80	183
92SV3/2A../E	18,5	160	789	545	322	350	240	16	86	204
92SV3../D	22	180	789	494	313	350	240	16	87	208
92SV4/2A../E	30	200	879	671	408	400	285	16	99	307
92SV4../E	30	200	879	671	408	400	285	16	99	307
92SV5/2A../E	37	200	969	671	408	400	285	25	107	331
92SV5../E	37	200	969	671	408	400	285	25	107	331
92SV6/2A../E	45	225	1059	701	460	450	309	25	116	408
92SV6../E	45	225	1059	701	460	450	309	25	116	408

92sv-2p50-en\_e\_td

**92SV SERIES**  
**OPERATING CHARACTERISTICS AT 50 Hz, 2 POLES**



These performances are valid for liquids with density  $\rho = 1.0 \text{ kg/dm}^3$  and kinematic viscosity  $\nu = 1 \text{ mm}^2/\text{sec}$ .