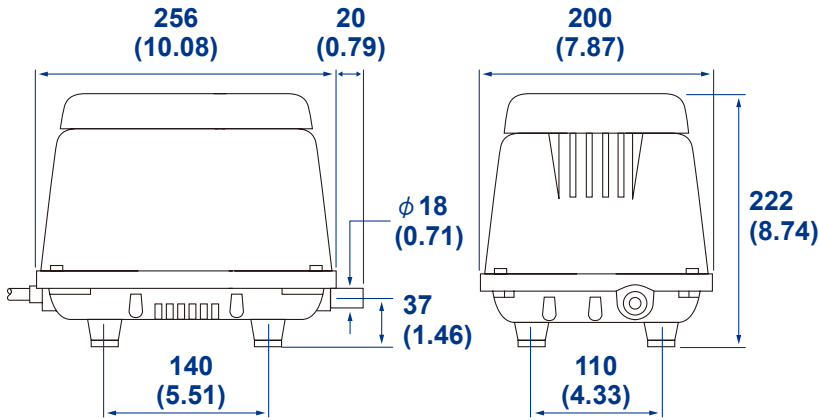


HP-100, 120

PRESSURE TYPE

Dimensions

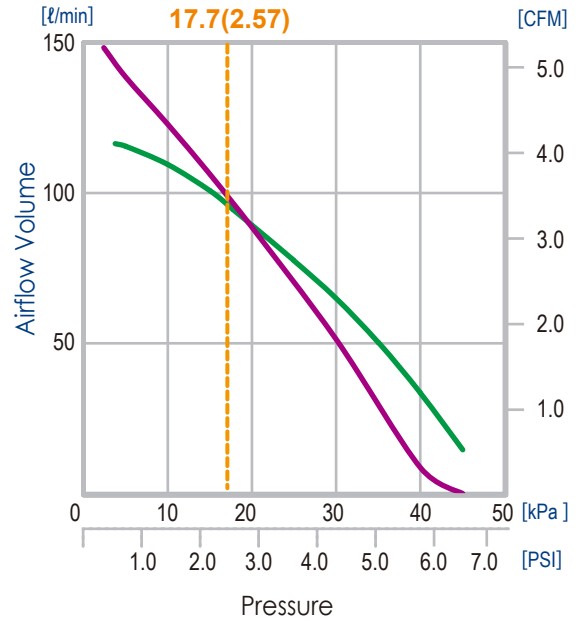
[Unit: mm(inch)]



Performance Curves

--- Rated Loading Pressure [kPa(PSI)]
— 50Hz — 60Hz

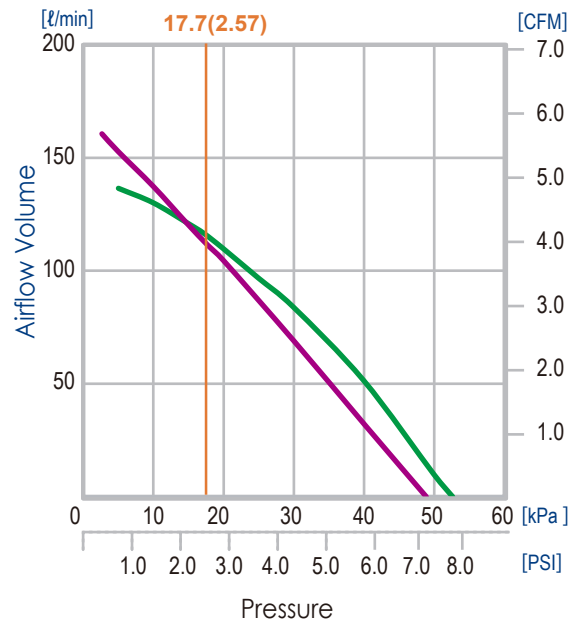
HP-100



Specifications

		HP-100		HP-120	
Rated Voltage	V	AC100 / 110-120 / 220-240			
Power Supply Frequency	Hz	50	60	50	60
Rated Loading Pressure	kPa	17.7			
Airflow Volume	l/min	100		120	
Power Consumption	W	95	100	115	125
Noise Level	dBA	38		40	
Weight	kg	8.5			

HP-120



- Flow measured in Normal(NL/min)
- Performance data is representative of typical values. Specifications and performance data are subject to change without notice. Purchaser is responsible for determining suitability for product applications
- "HIBLOW" is a registered mark of Techno Takatsuki co., Ltd.