
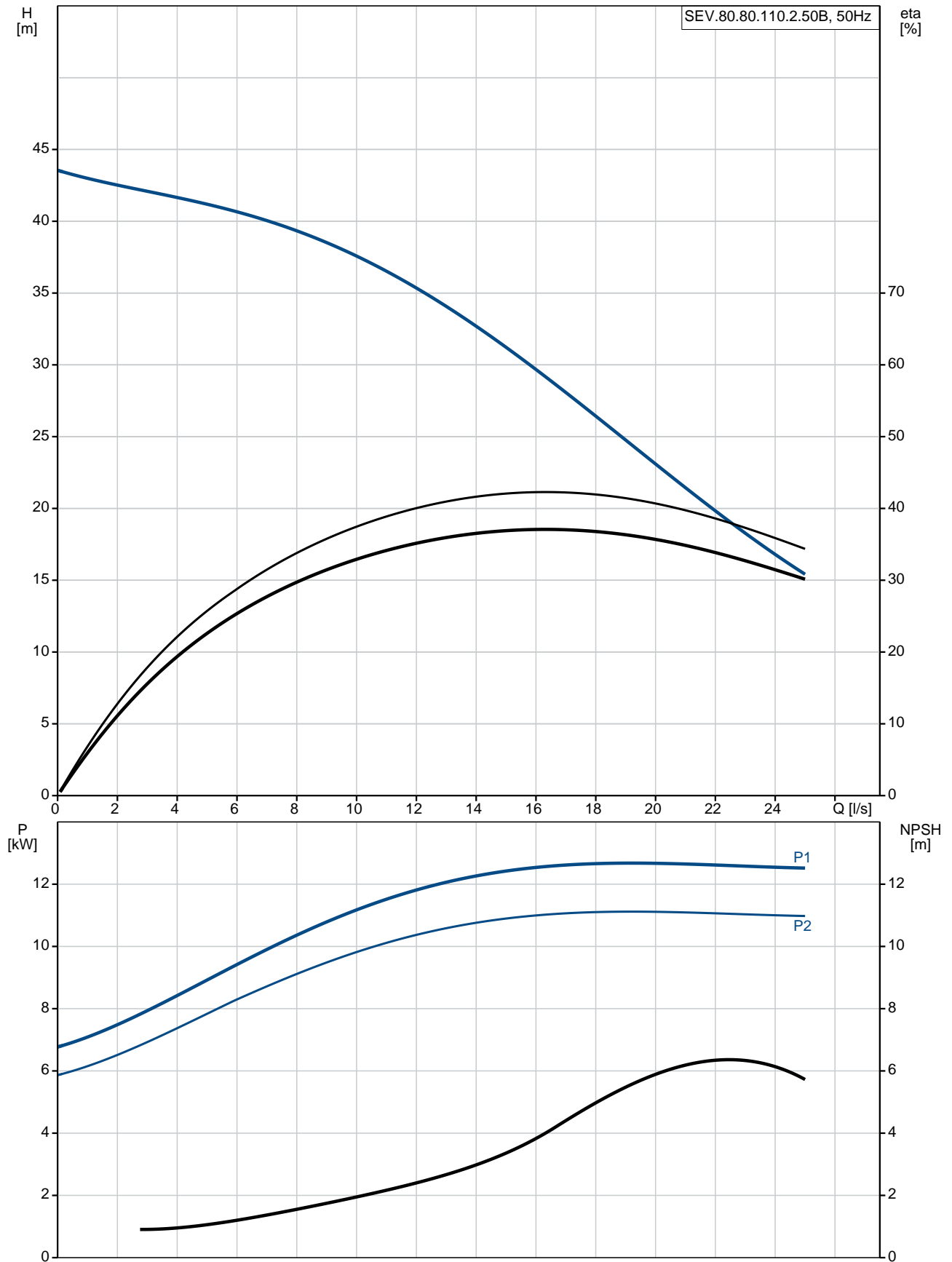


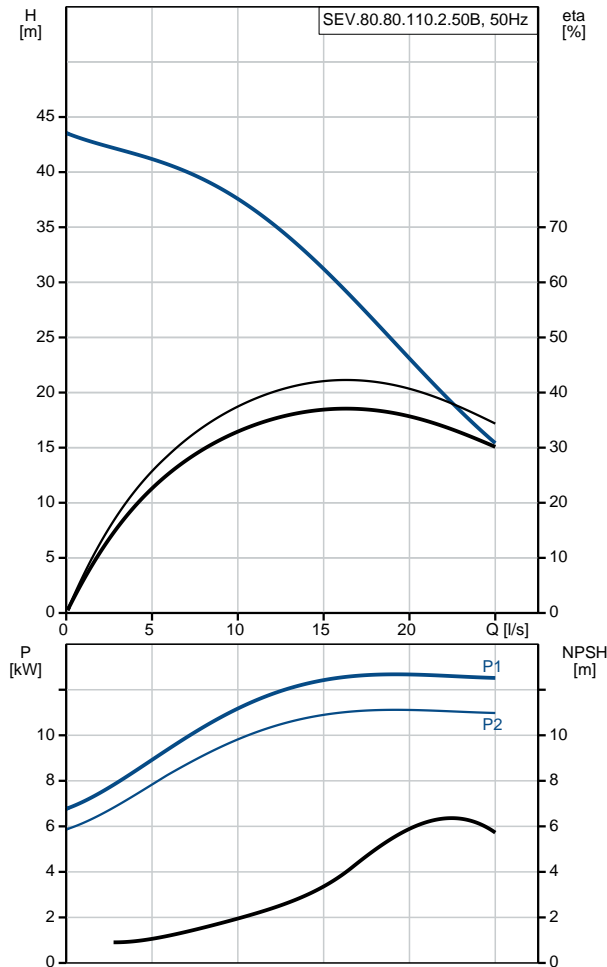
Position	Qty.	Description																																								
	1	<p>SEV.80.80.110.2.50B</p>  <p style="text-align: center;">Note! Product picture may differ from actual product</p> <p>Product No.: On request</p> <p>Non-self-priming, single-stage, centrifugal pump designed for handling wastewater, process water and unscreened raw sewage.</p> <p>The pump is designed for intermittent and continuous operation. The liquidless and maintenance free cooling system ensures that the pump can be used for submerged or dry installation. The efficient SuperVortex impeller provides passage of long fibres and solids up to 80 mm and is suitable for wastewater with a dry matter content of up to 5 %.</p> <p>A unique stainless-steel clamp assembling system enables quick and easy disassembly of the pump from the motor unit for service and inspection. No special tools are required. Pipework connection is via a DIN flange.</p> <p>Controls:</p> <table> <tr> <td>Moisture sensor:</td> <td>without moisture sensors</td> </tr> <tr> <td>Water-in-oil sensor:</td> <td>without water-in-oil sensor</td> </tr> <tr> <td>Temp. sensor:</td> <td>N</td> </tr> </table> <p>Liquid:</p> <table> <tr> <td>Liquid temperature range:</td> <td>0 .. 40 °C</td> </tr> <tr> <td>Density:</td> <td>998.2 kg/m³</td> </tr> </table> <p>Technical:</p> <table> <tr> <td>Type of impeller:</td> <td>SUPER VORTEX</td> </tr> <tr> <td>Maximum particle size:</td> <td>80 mm</td> </tr> <tr> <td>Primary shaft seal:</td> <td>SIC/SIC</td> </tr> <tr> <td>Secondary shaft seal:</td> <td>CARBON/CERAMICS</td> </tr> <tr> <td>Max. hydraulic efficiency:</td> <td>43 %</td> </tr> <tr> <td>Approvals on nameplate:</td> <td>EN12050-1</td> </tr> <tr> <td>Curve tolerance:</td> <td>ISO9906:2012 3B</td> </tr> </table> <p>Materials:</p> <table> <tr> <td>Pump housing:</td> <td>EN 1561 EN-GJL-250</td> </tr> <tr> <td>Impeller:</td> <td>Cast iron</td> </tr> </table> <p>Installation:</p> <table> <tr> <td>Maximum ambient temperature:</td> <td>40 °C</td> </tr> <tr> <td>Maximum operating pressure:</td> <td>6 bar</td> </tr> <tr> <td>Flange standard:</td> <td>DIN</td> </tr> <tr> <td>Pump outlet:</td> <td>DN 80</td> </tr> <tr> <td>Pressure stage:</td> <td>PN 10</td> </tr> <tr> <td>Maximum installation depth:</td> <td>20 m</td> </tr> </table> <p>Electrical data:</p>	Moisture sensor:	without moisture sensors	Water-in-oil sensor:	without water-in-oil sensor	Temp. sensor:	N	Liquid temperature range:	0 .. 40 °C	Density:	998.2 kg/m ³	Type of impeller:	SUPER VORTEX	Maximum particle size:	80 mm	Primary shaft seal:	SIC/SIC	Secondary shaft seal:	CARBON/CERAMICS	Max. hydraulic efficiency:	43 %	Approvals on nameplate:	EN12050-1	Curve tolerance:	ISO9906:2012 3B	Pump housing:	EN 1561 EN-GJL-250	Impeller:	Cast iron	Maximum ambient temperature:	40 °C	Maximum operating pressure:	6 bar	Flange standard:	DIN	Pump outlet:	DN 80	Pressure stage:	PN 10	Maximum installation depth:	20 m
Moisture sensor:	without moisture sensors																																									
Water-in-oil sensor:	without water-in-oil sensor																																									
Temp. sensor:	N																																									
Liquid temperature range:	0 .. 40 °C																																									
Density:	998.2 kg/m ³																																									
Type of impeller:	SUPER VORTEX																																									
Maximum particle size:	80 mm																																									
Primary shaft seal:	SIC/SIC																																									
Secondary shaft seal:	CARBON/CERAMICS																																									
Max. hydraulic efficiency:	43 %																																									
Approvals on nameplate:	EN12050-1																																									
Curve tolerance:	ISO9906:2012 3B																																									
Pump housing:	EN 1561 EN-GJL-250																																									
Impeller:	Cast iron																																									
Maximum ambient temperature:	40 °C																																									
Maximum operating pressure:	6 bar																																									
Flange standard:	DIN																																									
Pump outlet:	DN 80																																									
Pressure stage:	PN 10																																									
Maximum installation depth:	20 m																																									

Position	Qty.	Description
		Power input - P1: 12.6 kW
		Rated power - P2: 11 kW
		Mains frequency: 50 Hz
		Rated voltage: 3 x 400-415 V
		Voltage tolerance: +10/-10 %
		Max starts per. hour: 20
		Rated current: 21,8-20,5 A
		Rated current at 3/4 load: 15.5 A
		Rated current at 1/2 load: 11.8 A
		Starting current: 155 A
		Rated current at no load: 6.9 A
		Cos phi - power factor: 0,88
		Cos phi - p.f. at no load: 0,15
		Cos phi - p.f. at 3/4 load: 0,84
		Cos phi - p.f. at 1/2 load: 0,75
		Rated speed: 2935 rpm
		Locked-rotor torque: 85 Nm
		Breakdown torque: 118 Nm
		Moment of inertia: 0.0368 kg m ²
		Motor efficiency at full load: 87.7 %
		Motor efficiency at 3/4 load: 88.1 %
		Motor efficiency at 1/2 load: 86.4 %
		Number of poles: 2
		Start. method: direct-on-line
		Enclosure class (IEC 34-5): IP68
		Insulation class (IEC 85): F
		Explosion proof: no
		Length of cable: 15 m
		Cable type: LYNIFLEX
		Type of cable plug: NO PLUG
		Others:
		Net weight: 198 kg

On request SEV.80.80.110.2.50B 50 Hz



Description	Value
General information:	
Product name:	SEV.80.80.110.2.50B
Product No:	96047449
EAN number:	On request
Technical:	
Max flow:	25 l/s
Head max:	43.5 m
Type of impeller:	SUPER VORTEX
Maximum particle size:	80 mm
Primary shaft seal:	SIC/SIC
Secondary shaft seal:	CARBON/CERAMICS
Max. hydraulic efficiency:	43 %
Approvals on nameplate:	EN12050-1
Curve tolerance:	ISO9906:2012 3B
Cooling jacket:	with cooling jacket
Materials:	
Pump housing:	EN 1561 EN-GJL-250
Impeller:	Cast iron
Installation:	
Maximum ambient temperature:	40 °C
Maximum operating pressure:	6 bar
Flange standard:	DIN
Pump outlet:	DN 80
Pressure stage:	PN 10
Maximum installation depth:	20 m
Inst dry/wet:	DRY/SUBMERGED
Installation:	horizontal or vertical
Liquid:	
Liquid temperature range:	0 .. 40 °C
Density:	998.2 kg/m ³
Electrical data:	
Power input - P1:	12.6 kW
Rated power - P2:	11 kW
Mains frequency:	50 Hz
Rated voltage:	3 x 400-415 V
Voltage tolerance:	+10/-10 %
Max starts per. hour:	20
Rated current:	21,8-20,5 A
Rated current at 3/4 load:	15.5 A
Rated current at 1/2 load:	11.8 A
Starting current:	155 A
Rated current at no load:	6.9 A
Cos phi - power factor:	0,88
Cos phi - p.f. at no load:	0,15
Cos phi - p.f. at 3/4 load:	0,84
Cos phi - p.f. at 1/2 load:	0,75
Rated speed:	2935 rpm
Locked-rotor torque:	85 Nm
Breakdown torque:	118 Nm
Moment of inertia:	0.0368 kg m ²
Motor efficiency at full load:	87.7 %
Motor efficiency at 3/4 load:	88.1 %
Motor efficiency at 1/2 load:	86.4 %
Number of poles:	2





Company name:

Created by:

Phone:

Date:

22/07/2017

Description	Value
Start. method:	direct-on-line
Enclosure class (IEC 34-5):	IP68
Insulation class (IEC 85):	F
Explosion proof:	no
Motor protec:	PTC
Thermal protec:	internal
Length of cable:	15 m
Cable type:	LYNIFLEX
Type of cable plug:	NO PLUG

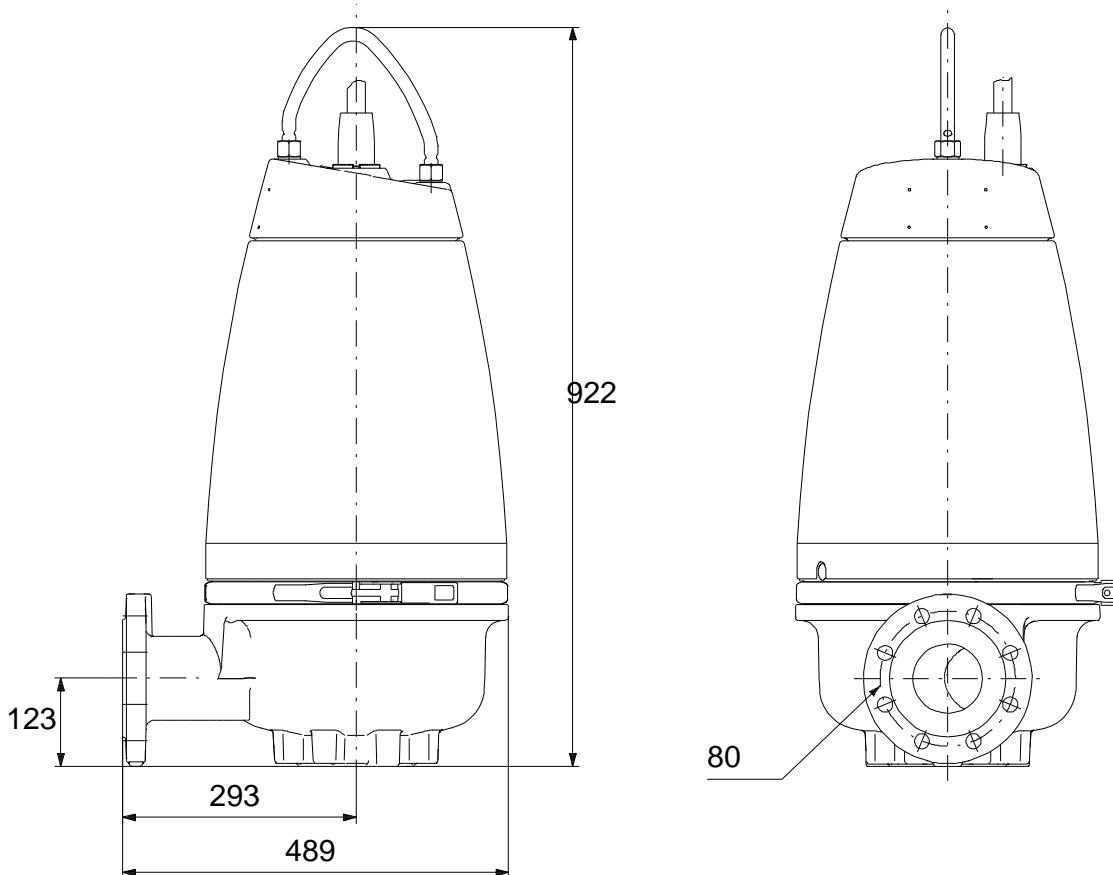
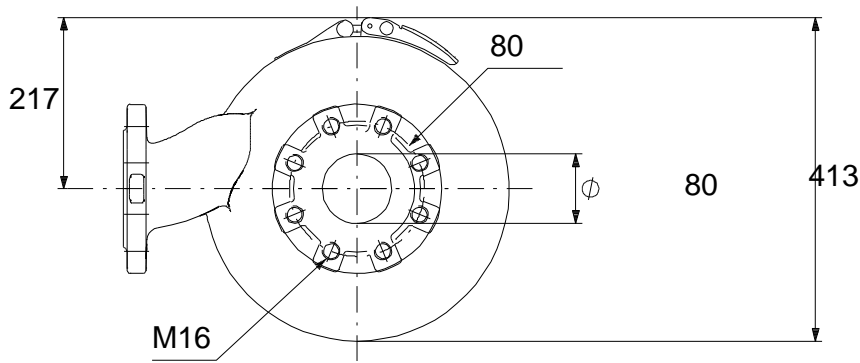
Controls:

Control box:	not included
Moisture sensor:	without moisture sensors
Water-in-oil sensor:	without water-in-oil sensor
Temp. sensor:	N

Others:

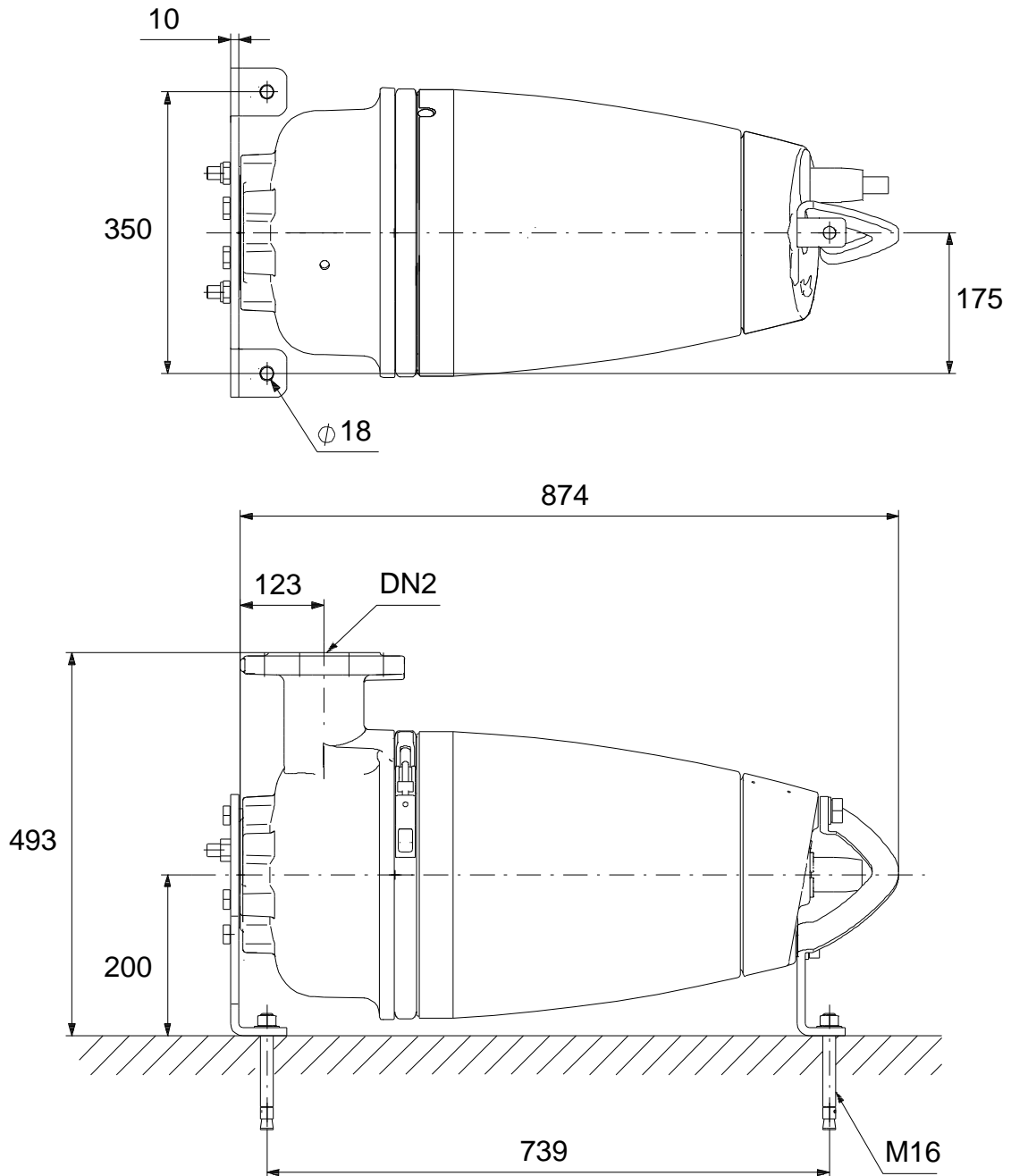
Net weight:	198 kg
Sales region:	Australia

On request SEV.80.80.110.2.50B 50 Hz



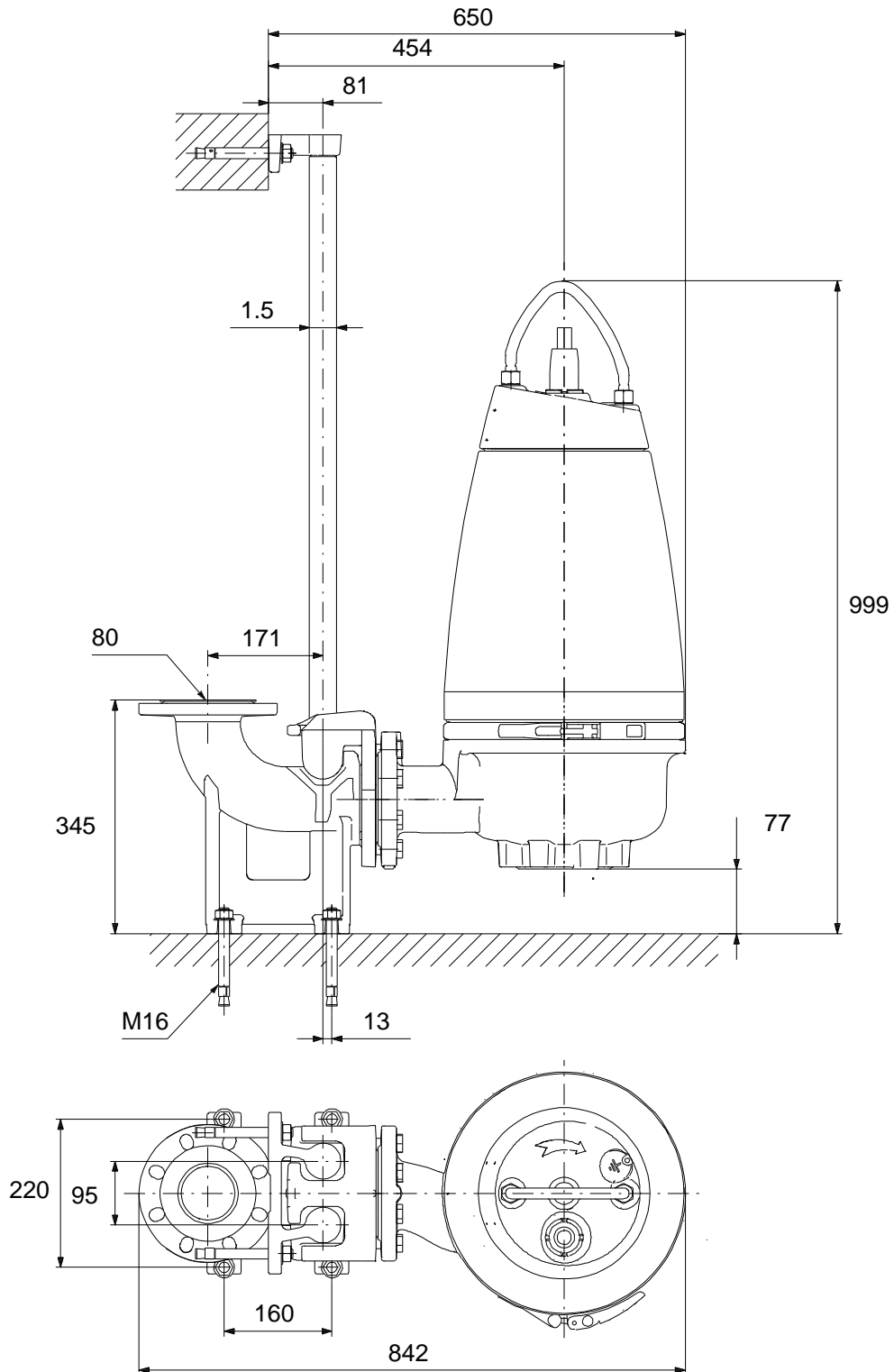
Note! All units are in [mm] unless others are stated.
Disclaimer: This simplified dimensional drawing does not show all details.

On request SEV.80.80.110.2.50B 50 Hz



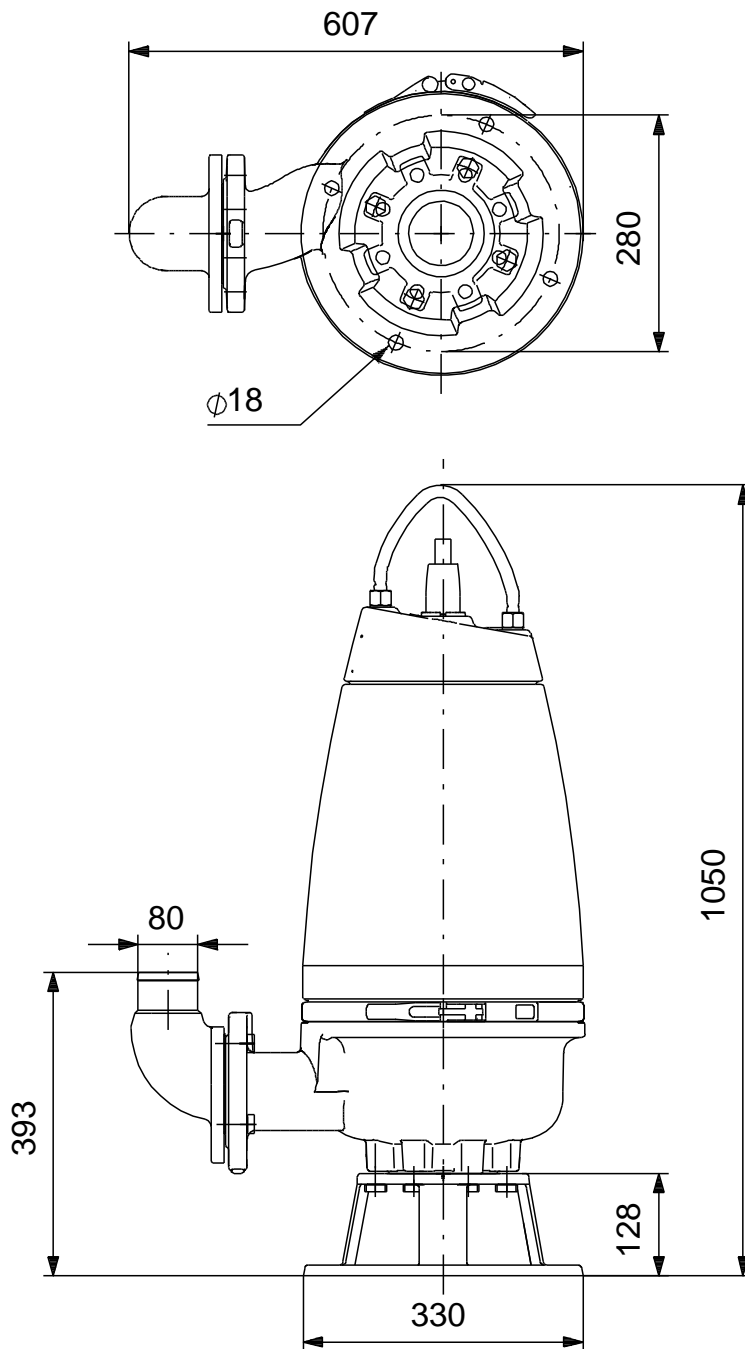
Note! All units are in [mm] unless others are stated.
Disclaimer: This simplified dimensional drawing does not show all details.

On request SEV.80.80.110.2.50B 50 Hz



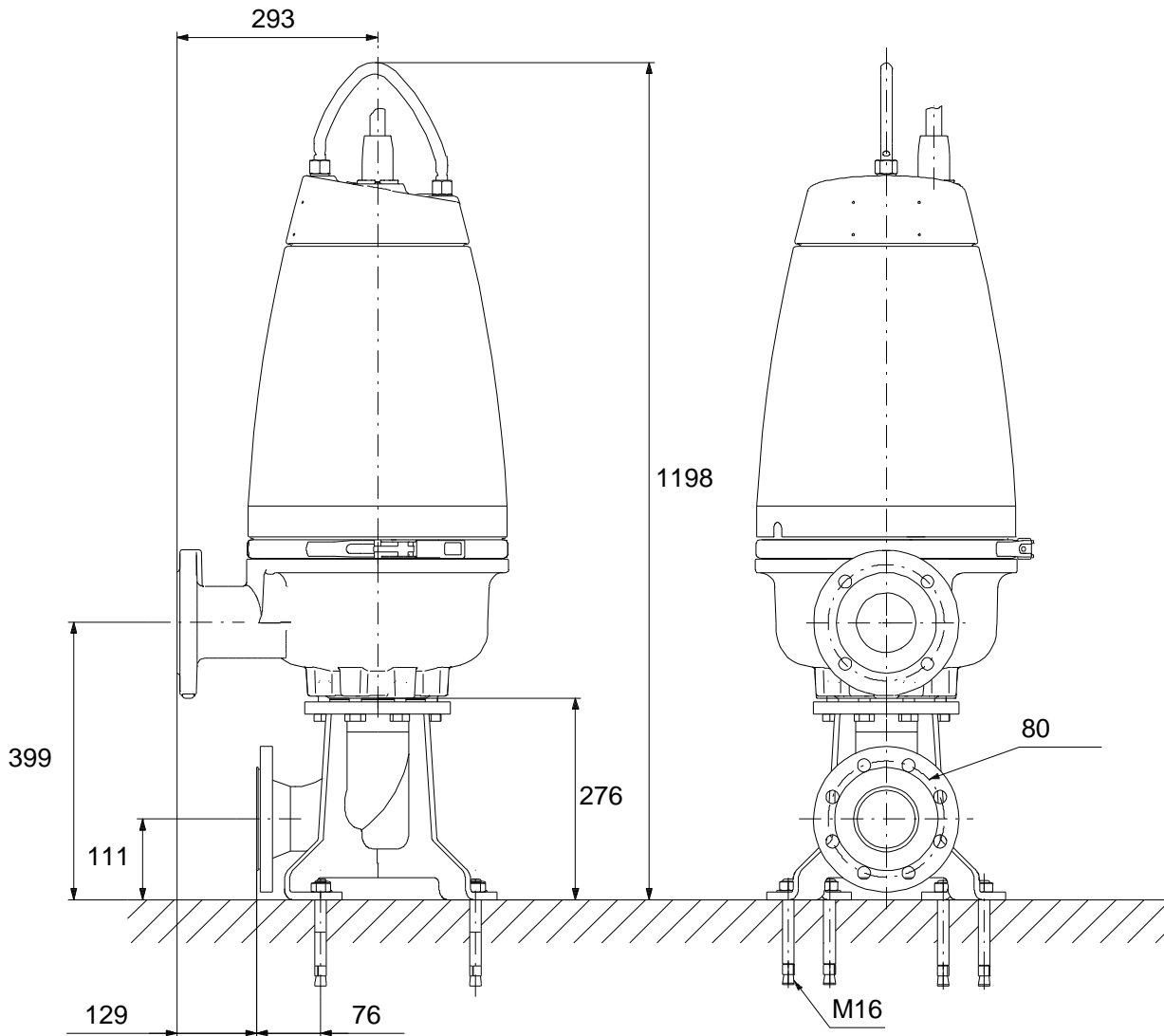
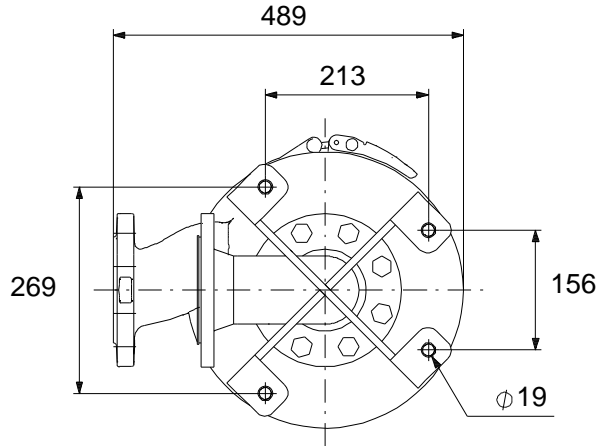
Note! All units are in [mm] unless others are stated.
Disclaimer: This simplified dimensional drawing does not show all details.

On request SEV.80.80.110.2.50B 50 Hz



Note! All units are in [mm] unless others are stated.
Disclaimer: This simplified dimensional drawing does not show all details.

On request SEV.80.80.110.2.50B 50 Hz



Note! All units are in [mm] unless others are stated.
Disclaimer: This simplified dimensional drawing does not show all details.