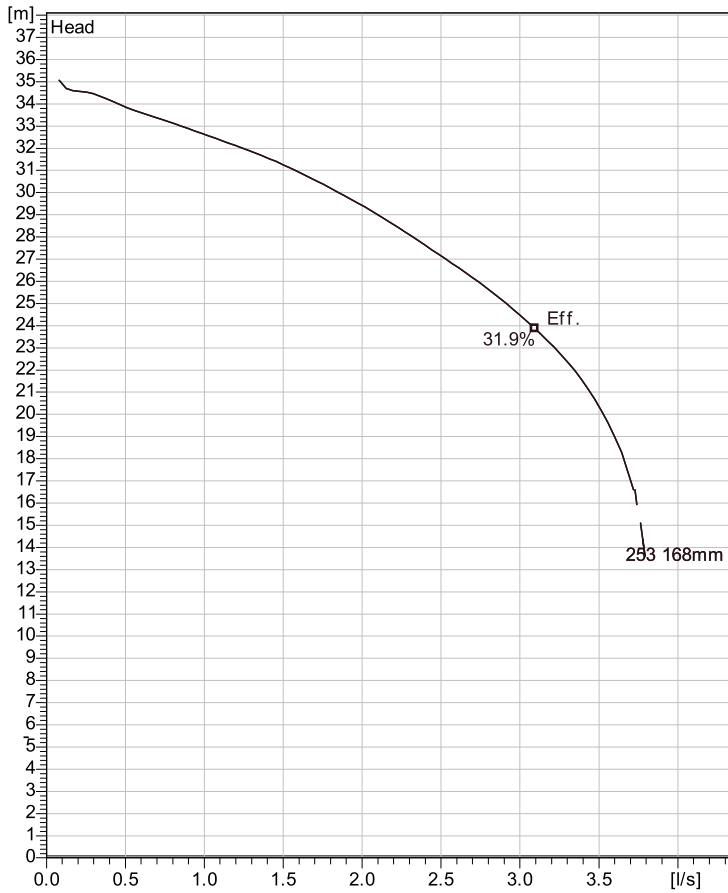


# MP 3085 HT 3~ 253

## Technical specification



Curve according to: ISO 9906



Note: Picture might not correspond to the current configuration.

### General

Semi-open multi-channel impellers with integral grinder cutter in single volute casing for liquids containing solids and fibres.

### Impeller

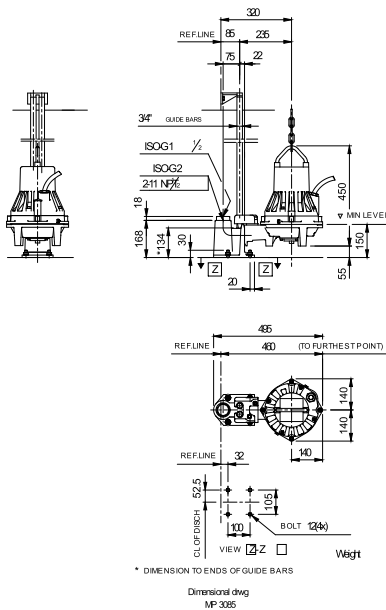
Impeller material	Grey cast iron
Outlet width	40 mm
Inlet diameter	80 mm
Impeller diameter	168 mm
Number of blades	6

### Motor

Motor #	M3085.172 15-09-2AL-W 2,4KW
Stator variant	
Frequency	50 Hz
Rated voltage	230 V
Number of poles	2
Phases	3~
Rated power	2.4 kW
Rated current	8.1 A
Starting current	48 A
Rated speed	2840 rpm
Power factor	
1/1 Load	0.92
3/4 Load	0.89
1/2 Load	0.82
Efficiency	
1/1 Load	80.5 %
3/4 Load	82.5 %
1/2 Load	82.0 %

### Configuration

### Installation: P - Semi permanent, Wet



Project	Project ID	Created by	Created on <b>2012-10-25</b>	Last update
---------	------------	------------	---------------------------------	-------------

# MP 3085 HT 3~ 253

## Performance curve

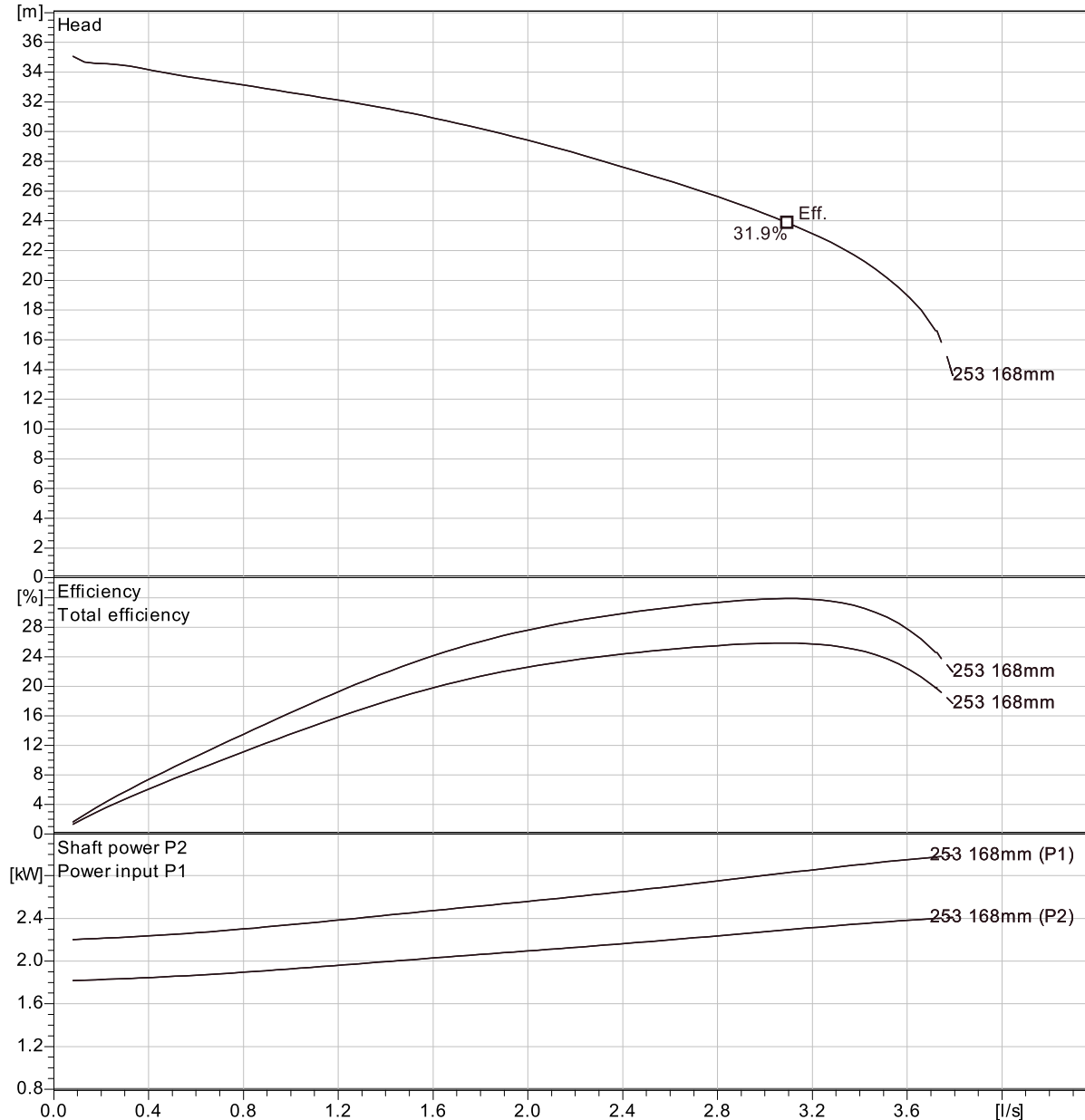
### Pump

Outlet width	40 mm
Inlet diameter	80 mm
Impeller diameter	168 mm
Number of blades	6

### Motor

Motor #	M3085.172 15-09-2AL-W 2,4KW
Stator variant	
Frequency	50 Hz
Rated voltage	230 V
Number of poles	2
Phases	3~
Rated power	2.4 kW
Rated current	8.1 A
Starting current	48 A
Rated speed	2840 rpm

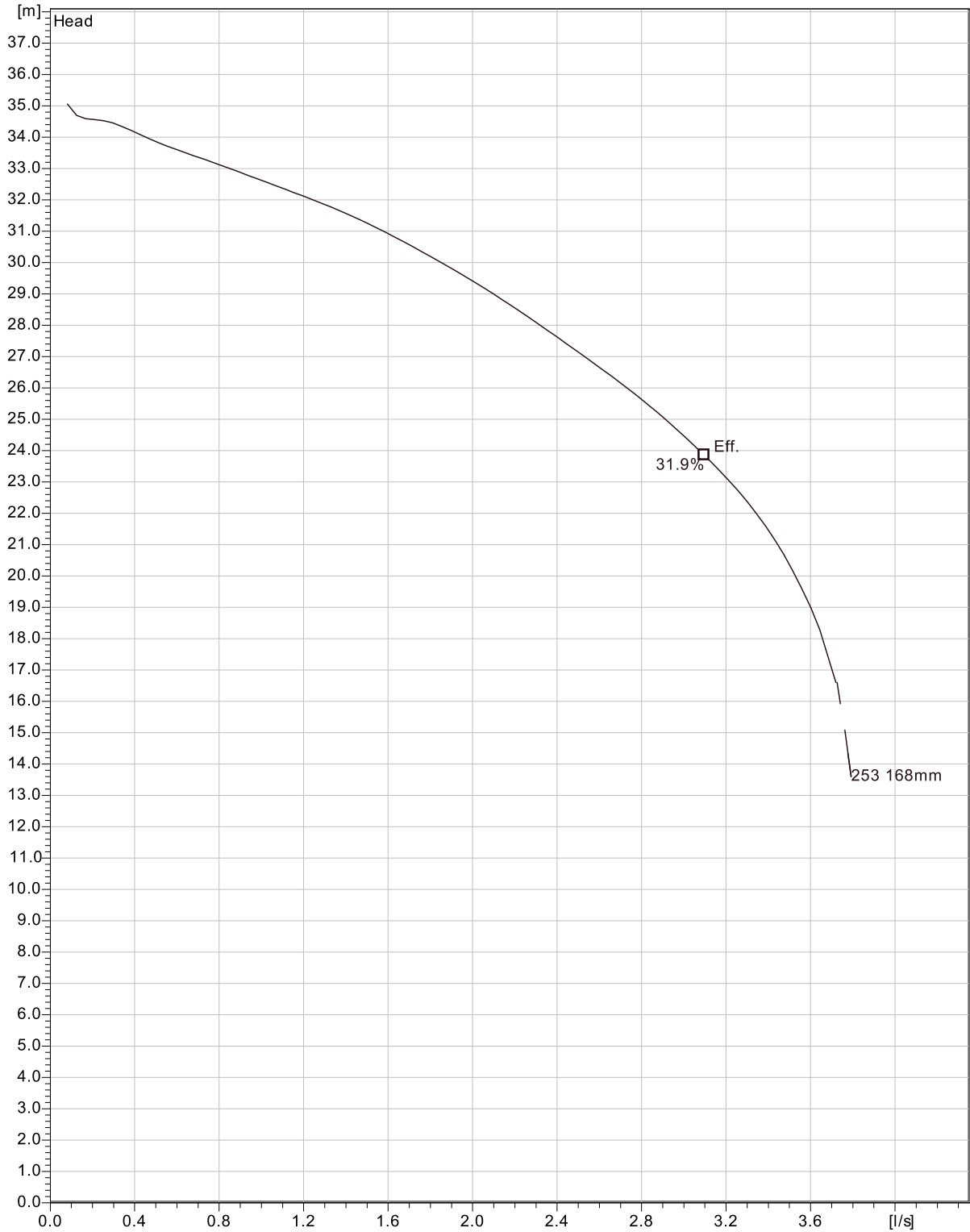
Power factor	
1/1 Load	0.92
3/4 Load	0.89
1/2 Load	0.82
Efficiency	
1/1 Load	80.5 %
3/4 Load	82.5 %
1/2 Load	82.0 %



Curve according to: ISO 9906

Project	Project ID	Created by	Created on <b>2012-10-25</b>	Last update
---------	------------	------------	---------------------------------	-------------

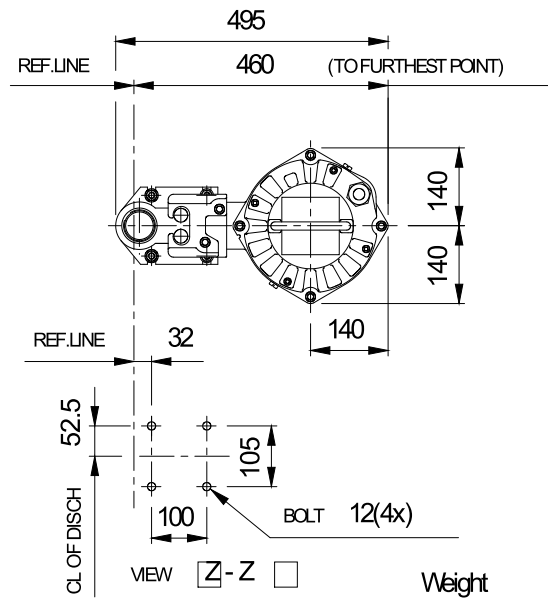
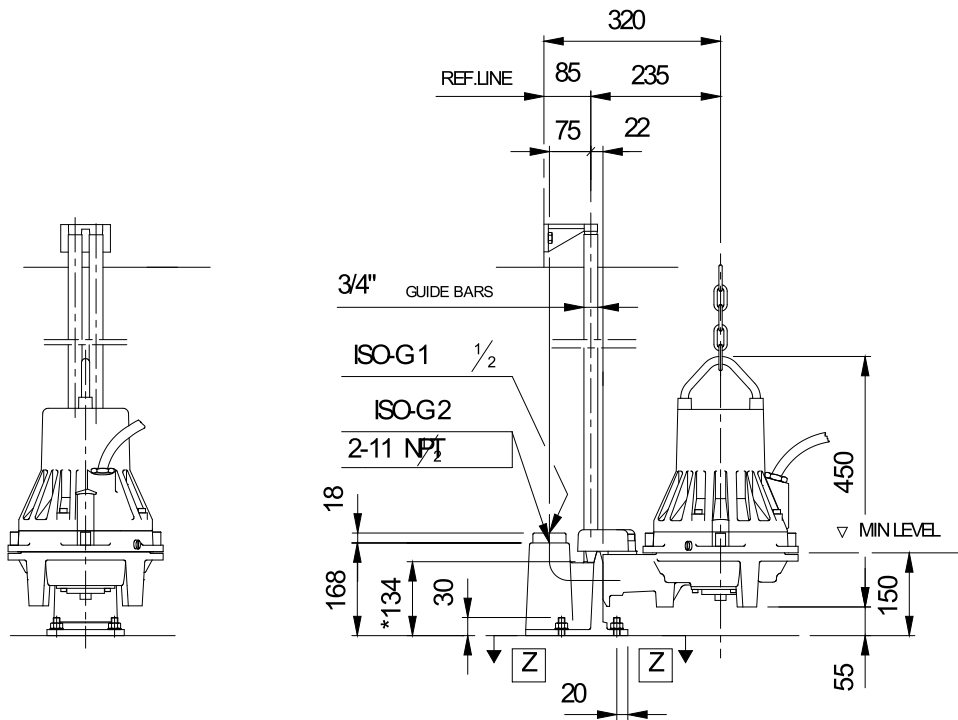
**MP 3085 HT 3~ 253**  
Duty Analysis



Curve according to: ISO 9906

Project	Project ID	Created by	Created on <b>2012-10-25</b>	Last update
---------	------------	------------	---------------------------------	-------------

**MP 3085 HT 3~ 253**  
Dimensional drawing



\* DIMENSION TO ENDS OF GUIDE BARS

Dimensional drwg  
MP 3085

Project	Project ID	Created by	Created on	Last update
			2012-10-25	