



DOSTEC® & Electrofertic **Electric injection pumps** **for flows up to 2000 l/hr**



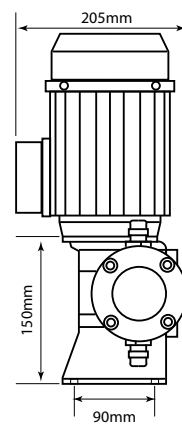
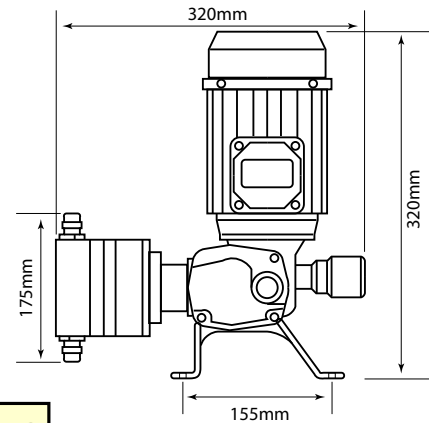
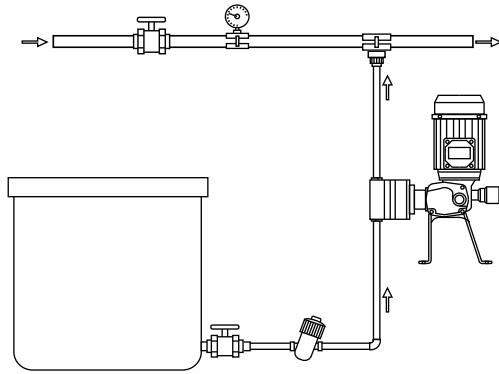
Triangle Waterquip offer a range of high volume injection pumps ranging in flow from 200 – 2000 l/hr. Available in both piston and diaphragm designs, they are suitable for all types of industrial, municipal water treatment and irrigation applications.

Features include:

- ▲ 0 – 100% thumb wheel adjustment during operation. (Electrofertic via an inverter).
- ▲ Nominal flow rates from 200 – 2000 l/hr available.
- ▲ Up to 1200 kPa injection pressure.
- ▲ Made from chemically resistant materials.
- ▲ Choice of piston or diaphragm heads.
- ▲ Compact, robust & heavy duty design.
- ▲ Simple & easy installation.
- ▲ Automatic controls can be added for dosing proportional to flow rate, EC level control & pH.

DOSTEC® & Electrofertic Electric Injectors

Technical Data



	Cat No.	Max L/Hr	Description 0 - 100% Flow Adjustment	Max P kPa
Piston Head	DTEC40-200	200	DOSTEC 40 - 200 l/hr	1100
	DTEC40-240	240	DOSTEC 40 - 240 l/hr	1100
	DTEC40-300	300	DOSTEC 40 - 300 l/hr	700
	DTEC50-330	330	DOSTEC 50 - 330 l/hr	1200
	DTEC50-500	500	DOSTEC 50 - 500 l/hr	1100
	DTEC50-750	750	DOSTEC 50 - 750 l/hr	750
	DTEC50-1000	1000	DOSTEC 50 - 1000 l/hr	550
	60EF-05-05H	1000	Electrofertic 500 + 500 l/hr	1200
	60EF-07-05H	1250	Electrofertic 750 + 500 l/hr	800
	60EF-07-07H	1500	Electrofertic 750 + 750 l/hr	800
	60EF-10-05H	1500	Electrofertic 1000 + 500 l/hr	600
60EF-10-07H	1750	Electrofertic 1000 + 750 l/hr	600	
60EF-10-10H	2000	Electrofertic 1000 + 1000 l/hr	600	
Diaphragm Head	DTEC40-100D	100	DOSTEC 40 - 100 l/hr diaphragm	800
	DTEC40-200D	200	DOSTEC 40 - 200 l/hr diaphragm	800
	DTEC40-340D	340	DOSTEC 40 - 340 l/hr diaphragm	500
	DTEC50-700D	700	DOSTEC 50 - 700 l/hr diaphragm	700
	DTEC50-1000D	1000	DOSTEC 50 - 1000 l/hr diaphragm	500

- ▲ Power requirements: 415 VAC 3 phase, 0.75 kW, 1.9 amps.
- ▲ Optional controls for proportional injection to flow rate, EC and pH using the Compact V controller and inverter.
- ▲ Electrofertic dual head units for flows of 1000-2000 l/hr require an inverter for adjusting the flow rates.



**COMPACT V
CONTROLLER & INVERTER**



**ELECTROFERTIC
Dual Head Unit**



TRIANGLE WATERQUIP PTY. LTD.

ABN 31 007 023 323
17 Hinkler Road,
Mordialloc, Vic. 3195, Australia
Phone: (03) 9580 2122
Fax: (03) 9580 3131
Email: triangle@trianglewaterquip.com.au
www.trianglewaterquip.com.au

AVAILABLE FROM