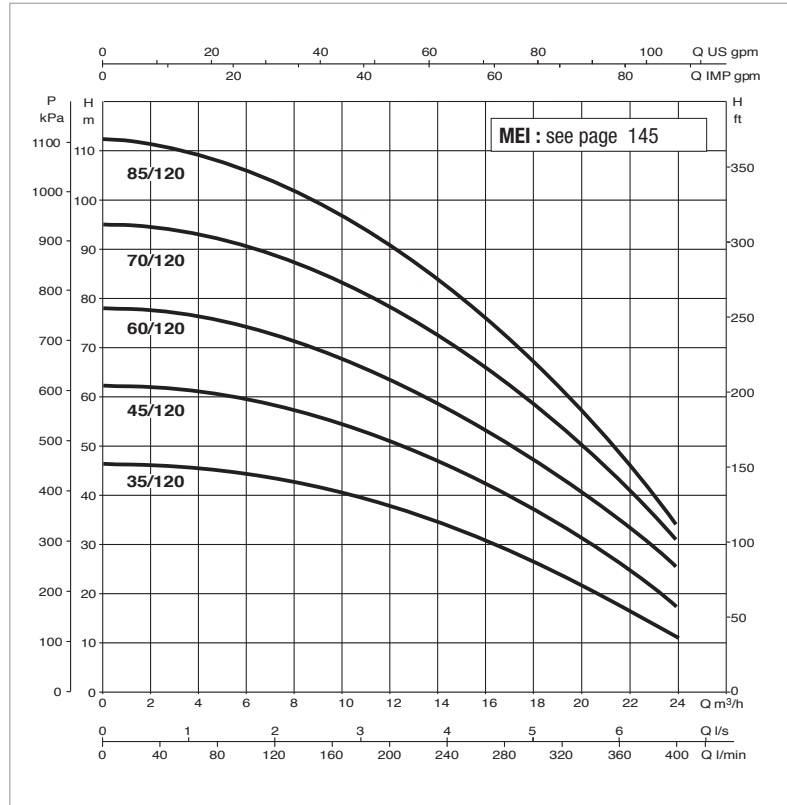
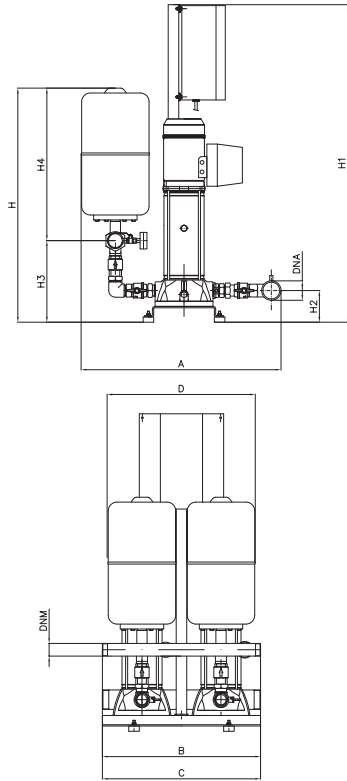


2 KVC 120 - CIVIL USE PRESSURE BOOSTER SETS

Pumped liquid temperature range: from -10 °C to +50 °C - Maximum ambient temperature: +40 °C



The performance curves are based on kinematic viscosity values = 1 mm²/s and density equivalent to 1000 kg/m³
Curve tolerance according to ISO 9906.

MODEL	POWER INPUT 50 Hz	P2 NOMINAL		In A	FLOW m ³ /h	MAX OBTAINABLE PRESSURE BAR	STANDARD PRESSURE BAR
		kW	HP				
2 KVC 35/120 M	1x 220-240 v	2x 1,1	2x 1,5	2x 7,4	22-2	4,5	3
2 KVC 35/120 T	3x 400 v	2x 1,1	2x 1,5	2x 3,5	22-2	4,5	3
2 KVC 45/120 M	1x 220-240 v	2x 1,85	2x 2,5	2x 12	22-2	6	4
2 KVC 45/120 T	3x 400 v	2x 1,85	2x 2,5	2x 4,6	22-2	6	4
2 KVC 60/120 T	3x 400 v	2x 2,2	2x 3	2x 5,4	22-2	7,5	5
2 KVC 70/120 T	3x 400 v	2x 3	2x 4	2x 6,8	22-2	9	6
2 KVC 85/120 T	3x 400 v	2x 3	2x 4	2x 7,8	22-2	10,5	7

MODEL	A	B	C	D	H	H1	H2	H3	H4	Ø MANIFOLDS		WEIGHT kg	
										DNA (suc.)	DNM (del.)	Single-phase	Three-phase
2KVC 35/120	760	550	500	560	800	920	95	260	610	2"	2"	82	82
2KVC 45/120	760	550	500	560	800	920	95	260	610	2"	2"	86	86
2KVC 60/120	760	550	500	560	800	920	95	260	610	2"	2"	-	90
2KVC 70/120	760	550	500	560	800	920	95	260	610	2"	2"	-	94
2KVC 85/120	760	550	500	560	800	920	95	260	610	2"	2"	-	95