

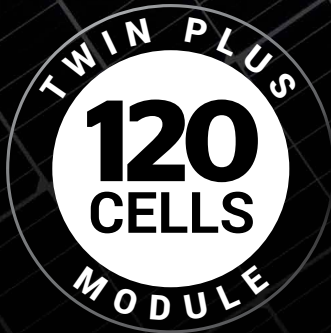
SUMEC

Phono[®] Solar
AUSTRALIA

315W

INTRODUCING

Twin Plus Module Technology!



More Power

Low power loss in cell connection

Low temperature coefficient (Pmax): -0.37% / °C

Low NOCT: 43±2°C

More Reliable

Lower internal current and temperature

PID Resistant

Better Shading Tolerance

Optimal Yields - Better shading tolerance combined with excellent low-light and temperature behaviour



BLOOMBERG
TIER 1 BRAND



OWNED BY
FORTUNE 500
GLOBAL COMPANY



TOP
PERFORMING
PANEL



AUSTRALIAN
OFFICE AND
REPRESENTATION

- 12-year product warranty
- 25-year linear performance warranty to 80.68%

1. In compliance with our warranty terms and conditions.

NOTE:

This datasheet is not legally binding. Sumec Phono Solar reserves the right to make specifications changes without notice. Further information can be found on our website: www.phonosolar.com



SUMEC
Phono[®] Solar
AUSTRALIA

SUMEC PHONO SOLAR AUSTRALIA
Suite 3, 130-134 Pacific Hwy
Greenwich NSW 2065

SUMEC PHONO SOLAR DISTRIBUTION
184 Bluestone Circuit
Seventeen Mile Rocks QLD 4073
Tel: 07 3122 7584
www.phonosolar.com

Twin Plus Module

ELECTRICAL TYPICAL VALUES

| Model | PS315M-20/UH PS315MH-20/UH |
|---|--|
| Type | 2 x 60 Monocrystalline, 6 inch x 3 inch cells |
| Rated Power (Pmpp) ² | 315W |
| Tolerance | 0~+5 |
| Rated Current (Imp) | 9.31 |
| Rated Voltage (Vmpp) | 33.84 |
| Short Circuit Current (Isc) | 9.76 |
| Open Circuit Voltage (Voc) | 40.11 |
| Module Efficiency (%) | 18.96 |
| NOCT (Nominal Operation Cell Temperature) | 43°C ± 2°C |
| Voltage Temperature Coefficient | -0.286%/°C |
| Current Temperature Coefficient | +0.051%/°C |
| Power Temperature Coefficient | -0.368%/°C |

MECHANICAL CHARACTERISTICS

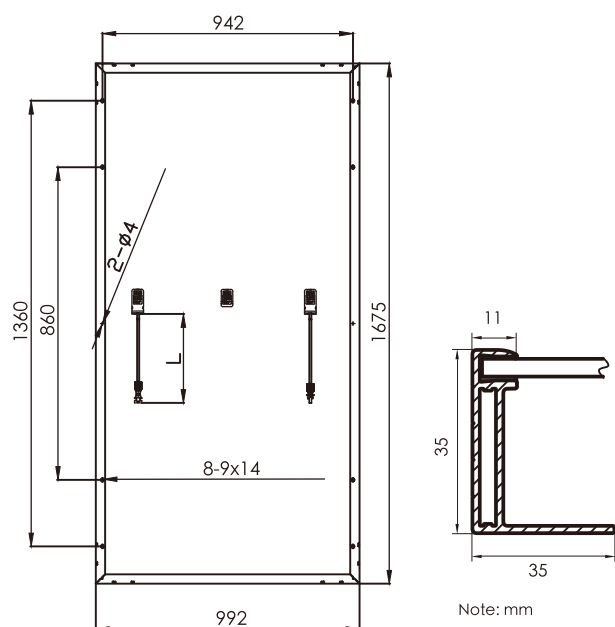
| | |
|--------------|--|
| Dimensions | Length: 1675mm, Width: 992mm Height: 35mm |
| Weight | 18.5kg |
| Front Glass | 3.2mm toughened glass |
| Frame | Anodized aluminium alloy |
| Cable | 4mm ² (IEC), 1150mm |
| Junction Box | IP 68 rated |
| Connectors | MC4 (1000Vdc) / MC4 EVO2 (1500Vdc) |

PACKING CONFIGURATION

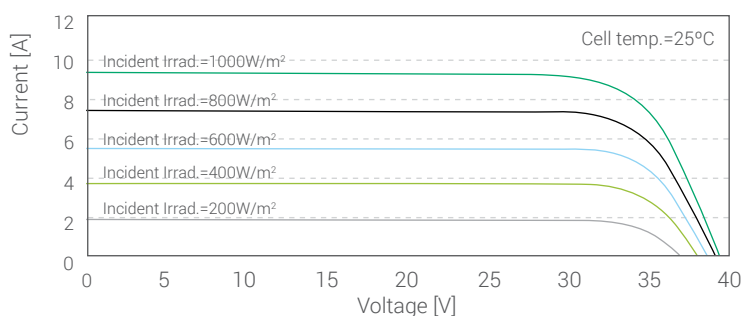
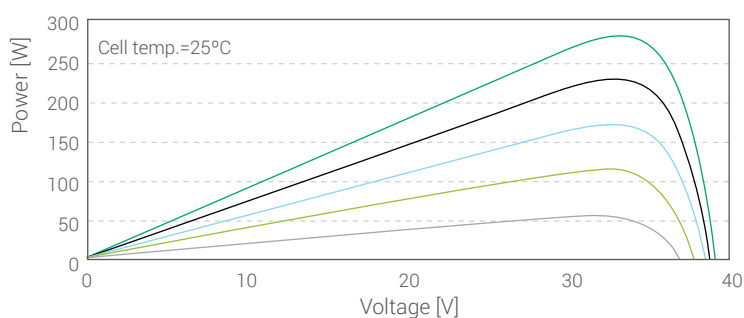
| | | |
|----------------------|-------|--------|
| Container | 20'GP | 40' HQ |
| Pieces per container | 312 | 832 |

ABSOLUTE MAXIMUM RATING

| Parameter | Values |
|----------------------------------|-----------------------------|
| Operating Temperature | From -40 to +85°C |
| Hail Diameter @ 80km/h | Up to 25mm |
| Surface Maximum Load Capacity | Up to 5400Pa |
| Maximum Series Fuse Rating | 20A |
| IEC Application Class (IEC61730) | A |
| Fire Rating (IEC61730) | C |
| Module Fire Performance (UL1703) | Type 1 |
| Maximum System Voltage | DC 1000V/1500V (IEC/ETL) |



WEAK LIGHT PERFORMANCE



² Measurement conditions under irradiance level of Standard Test Conditions (STC): Rated Power (Pmpp), 1000W/m², Air mass 1.5 Spectrum, cell temperature of 25°C.

