

XF171D

Model Numbers: 71101D (220-240V 50Hz)
71101Y (110-120V 60Hz)

DEPEND ON
DAVEY

WATER PRODUCTS

GENERAL TRANSFER PUMPS

PRODUCT DESCRIPTION

Economical, compact, 1 stage centrifugal pump driven by a TEFC motor. Designed to pump a range of non-explosive chemical solutions*.

APPLICATIONS

Pumping of non-explosive chemical solutions* without fibres or solids in such applications as :-

- Pressure boosting
- Circulation applications
- Transfer duties
- Dog or pet baths



Also available in 110 volt 60Hz & 220 volt 60Hz single phase versions.

DESIGN FEATURES

PUMP

1 stage (single impeller).
Closed vane impellers.
Stainless steel pump shaft.
Mechanical shaft seal.
Oring casing seal.
Pump includes 2m power lead with 10amp Australian three pin plug.

MOTOR

Davey manufactured.
TEFC with IP55 enclosure.
Class F insulation.
Double contact sealed bearings.
In-built thermal overload protection.
Plastic feet on motor shell.

BENEFITS

- Manufactured from quality corrosion and chemical resistant materials
- TEFC motor-corrosion resistant and resistant to dust, dirt and vermin
- Motor and pump designed for frequent starts
- Quick and easy installation
- Low maintenance
- Easy to service if required

OPERATING LIMITS

Capacities to	160lpm
Max. total head	16m
Max. suction head	7.5m
Max. water temperature	50°C
Min. water temperature	1°C
Max. specific gravity	1.2
Max. ambient temperature	50°C
Max. casing pressure	250kPa
Inlet size	1" BSP(F)
Outlet size	1" BSP(M)

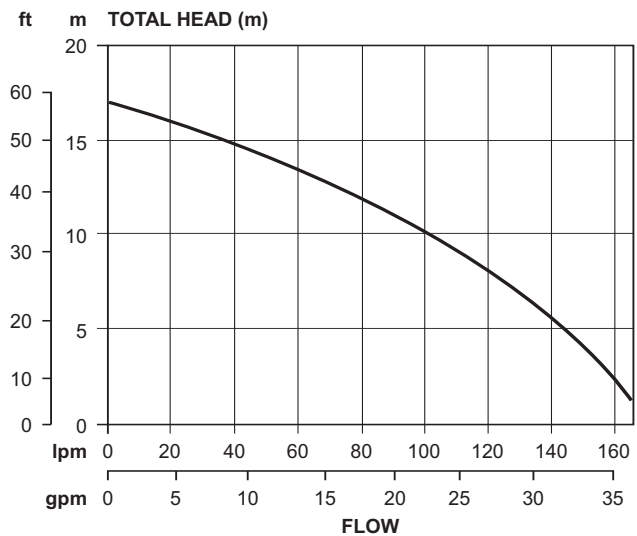
*Subject to compliance with Davey recommendations and compliance with statutory requirements applicable to installation and operation of chemical pumps.

TECHNICAL SPECIFICATIONS

MATERIALS OF CONSTRUCTION

PART	MATERIAL
Impellers	Glass filled nylon 12
Lock nut	Glass filled nylon 12
Pump casing	Glass filled nylon 12
Clamp band	304 stainless steel
Pump shaft	304 stainless steel
Suction cover	Glass filled nylon 12
Seal ring (stationary)	Ceramic
Seal ring (rotating)	Carbon
Seal spring	304 stainless steel
Orings	Nitrile rubber
Diffusers	Glass filled nylon 12
Spacer	Glass filled nylon 12
Priming plug	Glass filled nylon 12
Motors shell	Marine grade aluminium
Shell finish	Baked polyester

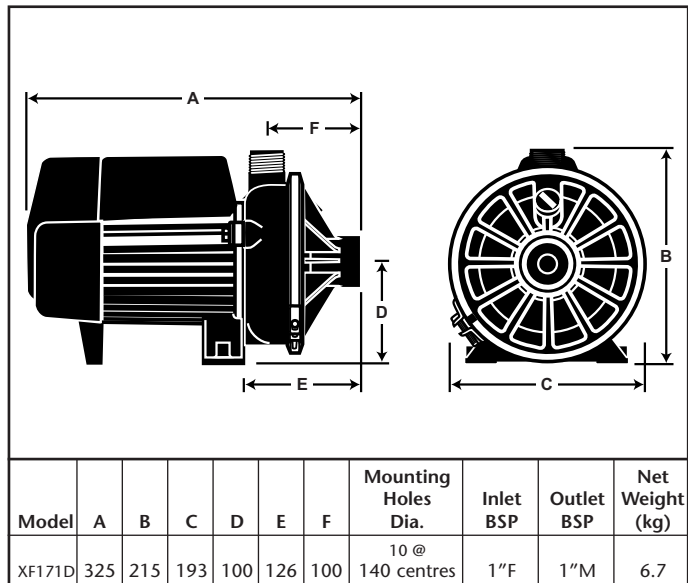
HYDRAULIC PERFORMANCE



ELECTRICAL DATA

Supply voltage	220-240V	110-120V
Supply frequency – Single phase	50Hz	60Hz
Full load current	2.8A	7.5A
Locked rotor current	12.0A	16.0A
Input power	0.64kW	0.6kW
Output power	0.45kW	
Enclosure class	IP55	
Insulation class	Class F	
Starting	P.S.C.	

DIMENSIONS



All dimensions in mm unless otherwise stated.

INSTALLATION & PRIMING

- Installations with suction lift require a good quality foot valve to avoid loss of prime.
- To prime, fill pump body and suction line through priming plug hole located above suction inlet and replace plug.



Davey Water Products Pty Ltd

Member of the GUD Group
ABN 18 066 327 517

AUSTRALIA
Head Office and Manufacturing
 6 Lakeview Drive,
 Scoresby, Australia 3179
 Ph: +61 3 9730 9222
 Fax: +61 3 9753 4100
 Website: davey.com.au

Customer Service Centre
 Ph: 1300 369 100
 Fax: 1300 369 119
 E-mail: sales@davey.com.au

NEW ZEALAND
 7 Rockridge Avenue,
 Penrose, Auckland 1061
 Ph: +64 9 570 9135
 Fax: +64 9 527 7654
 E-mail: sales@daveynz.co.nz
 Website: daveynz.co.nz

Customer Service Centre
 Ph: 0800 654 333

REST OF WORLD
 6 Lakeview Drive,
 Scoresby, Australia 3179
 Ph: +61 3 9730 9121
 Fax: +61 3 9753 4248
 E-mail: export@davey.com.au
 Website: davey.com.au



This literature is not a complete guide to product usage. Further information is available from your Davey dealer, Davey Customer Service Centre and from the relevant product Installation and Operating Instructions. This data sheet must be read in conjunction with the relevant product Installation and Operating Instructions and all applicable statutory requirements. Product specifications may change without notice.
 © Davey is a registered trademark of Davey Water Products Pty Ltd. © Davey Water Products Pty Ltd 2011.