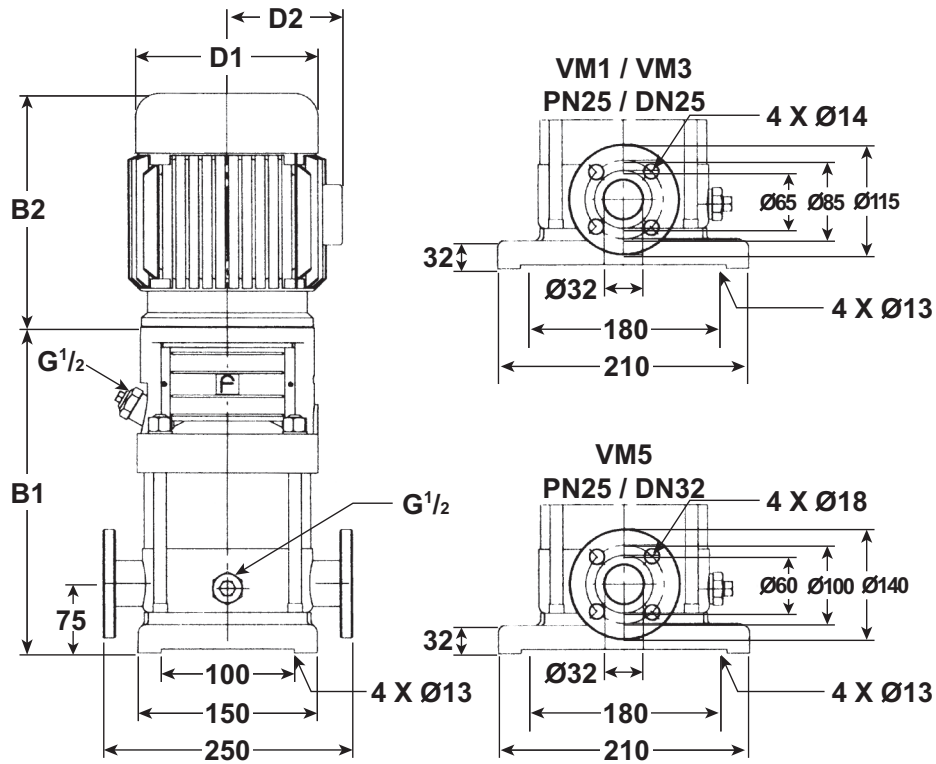


VM1 / VM3 / VM5 – PN25



VM10 – PN25

