

Receiver

 Society
 Reference
 Address
 Phone
 Fax
 E-mail

From

 White International Pty Ltd
 52-60 Ashford Avenue, Milperra, NSW, 2214
 -
 -
 pumpsales@whiteint.com.au

Item n° :

102670020

Model :

JETCOM 82 M

Pump data

 Pressure rating : 6 bar (600 kPa)
 Min. fluid temperature : 0 °C
 Max. fluid temperature : 35 °C
 Max. Temperature operating : 40 °C

Priming capacity :

H m	2	3	4	5	6	7	8	9
Q m³/h	3.06	2.82	2.46	2.28	2.04	1.68	1.38	1.08

Requested data

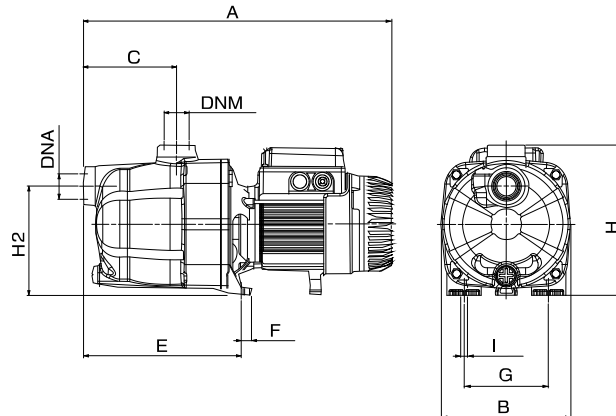
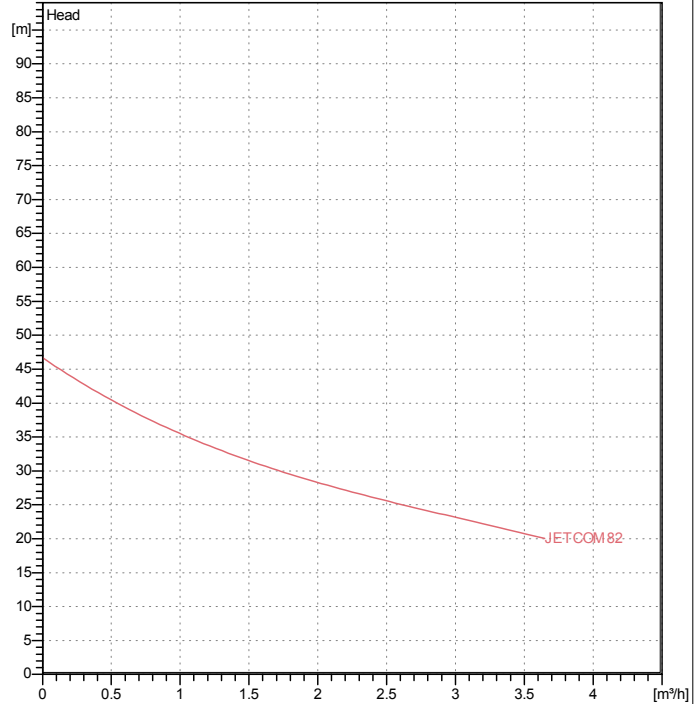
 Flow : 0.00 m³/h
 Head : 0.00 m
 Fluid : Water, pure
 Fluid Temperature : 20 °C
 Density : 0.9983 kg/dm³
 Kinematic viscosity : 1.005 mm²/s
 Vapor pressure : 2.34 kPa

Hydraulic data (duty point)

 Flow :
 Head :

Materials

Pump body	Technopoly mer A
Impeller	Technopoly mer A
Shaft with rotor	AISI 416 X12 CrS 13 UNI 6900/71
OR ring	NBR Rubber
Diffuser	Technopoly mer A
Mechanical seal	Carbon/Ceramic
Disc seal	AISI 304 X5 Cr Ni 1810 UNI 6900/71

Curve tolerance according to ISO 9906

Motor data

 Motor brand : DAB
 Nominal power P2: 0.6 kW
 Rated speed: 2750 1/min
 Rated voltage : 1~ 230 V 50 Hz
 Nominal current : 3.8 A
 Degree of protection : IP 44

Dimensions in
mm

A	406	DNM	1" G	H	198		
B	170	E	208	H2	144		
C	122	F	14	I	9		
DNA	1" G	G	111				

Weight : 7.7 kg

Pump connection

 Suction side 1" G / 6 bar (600 kPa)
 Discharge side 1" G / 6 bar (600 kPa)



PERFORMANCE CURVES

2014-06-04

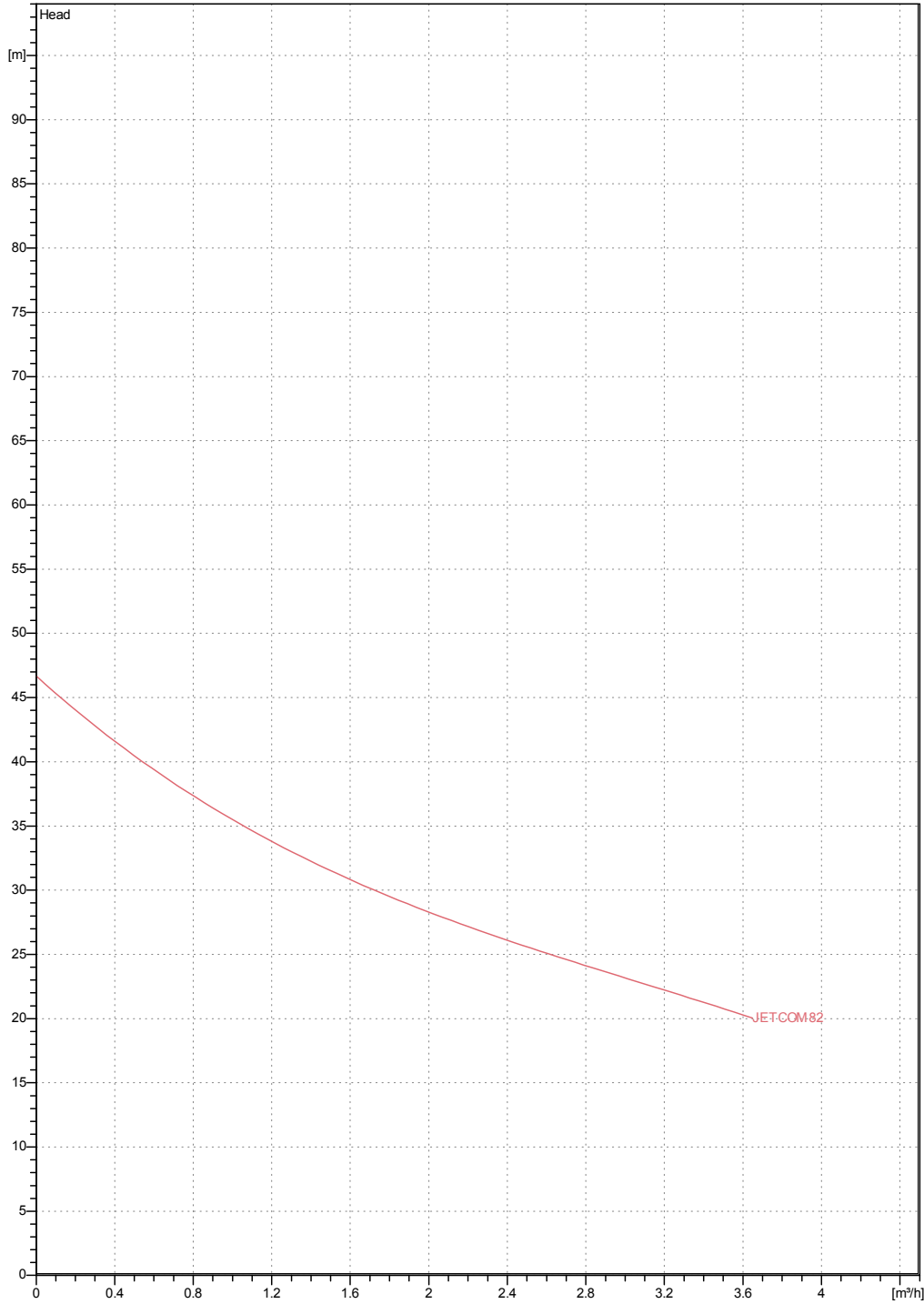
Page 2 / 3

DAB PUMPS S.p.A.
Via Marco Polo, 14 - 35035 Mestrino (PD), Italy
Tel. +39 049 5125000 - Fax +39 049 5125950
www.dabpumps.com

Society Reference Address Phone Fax E-mail	Receiver	From
		White International Pty Ltd . 52-60 Ashford Avenue, Milperra, NSW, 2214 - - pumpsales@whiteint.com.au

JETCOM 82 M

Curve tolerance according to ISO 9906



Hydraulic data (duty point)

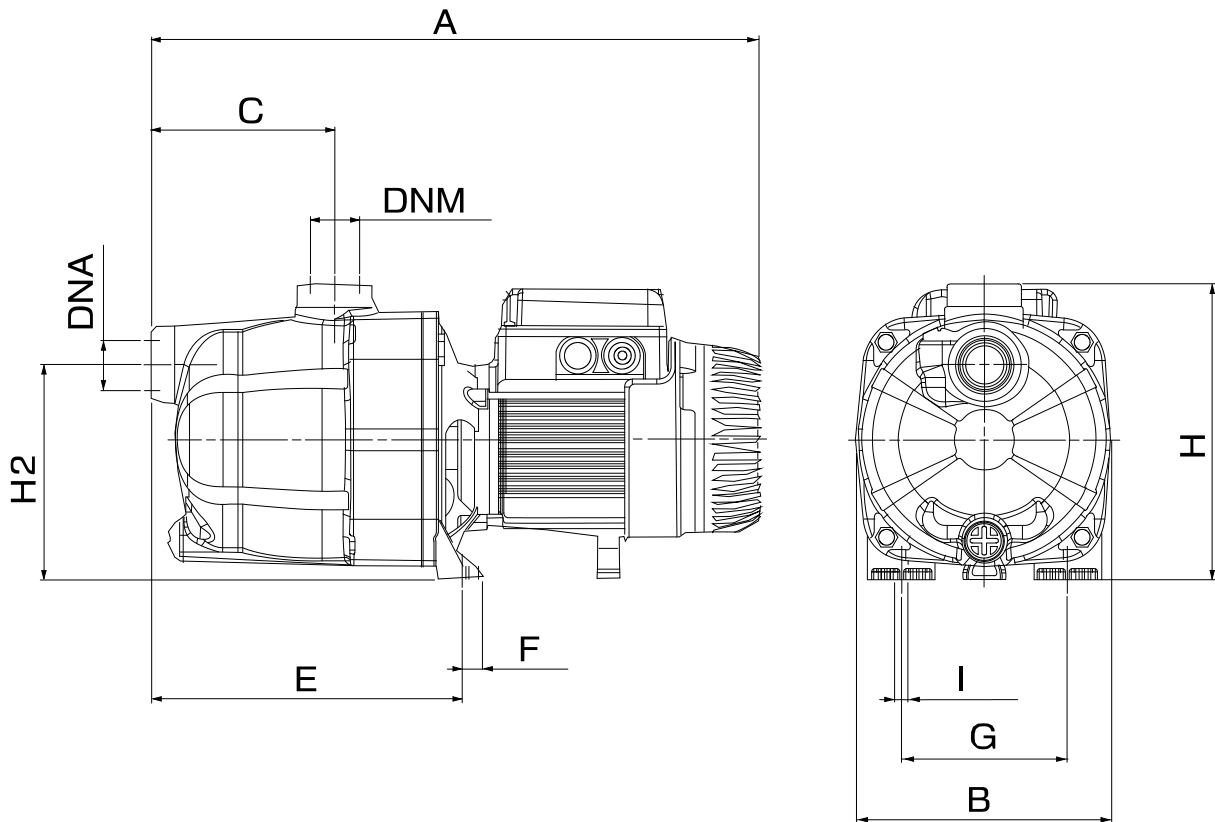
Suction side 1 " G 6 bar (600 kPa)	Discharge side 1 " G 6 bar (600 kPa)	Flow : 0 m³/h	Head : 0 m	Rated speed: 2750 1/min
Project	Project ID	Created by	Created on 2014-06-04	

Receiver
From

 Society
 Reference
 Address
 Phone
 Fax
 E-mail

 White International Pty Ltd
 .
 52-60 Ashford Avenue, Milperra, NSW, 2214
 -
 -
 pumpsales@whiteint.com.au

JETCOM 82 M


Dimensions in mm

1	A	406	I	9		
2	B	170				
3	C	122				
4	DNA	1" G				
5	DNM	1" G				
6	E	208				
7	F	14				
8	G	111				
9	H	198				
10	H2	144				

Pump connection

Suction
 1 " G
 6 bar (600 kPa)

Discharge
 1 " G
 6 bar (600 kPa)

Project

Project ID

Created by

Created on

2014-06-04