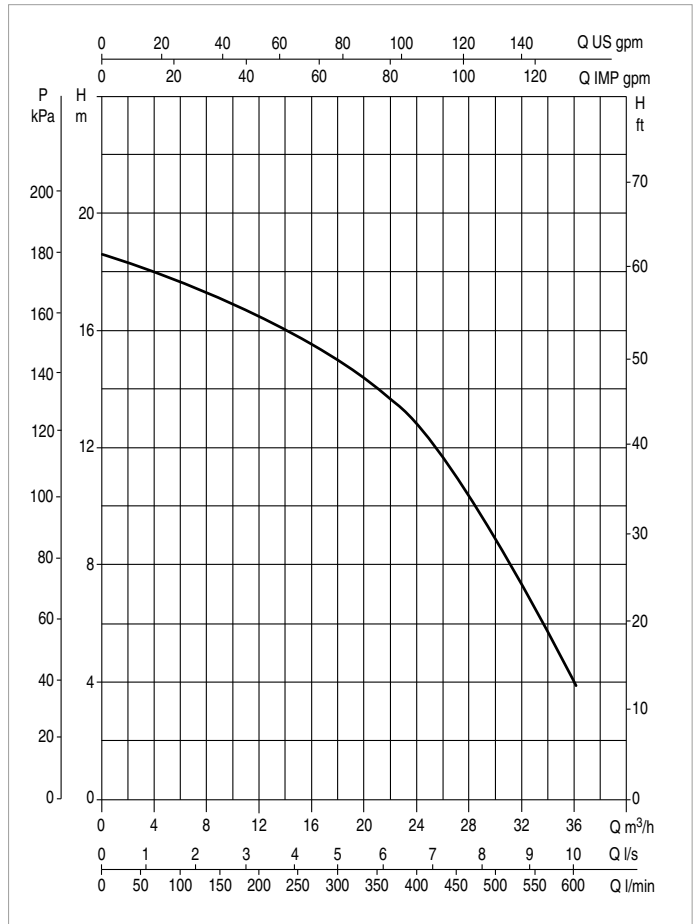
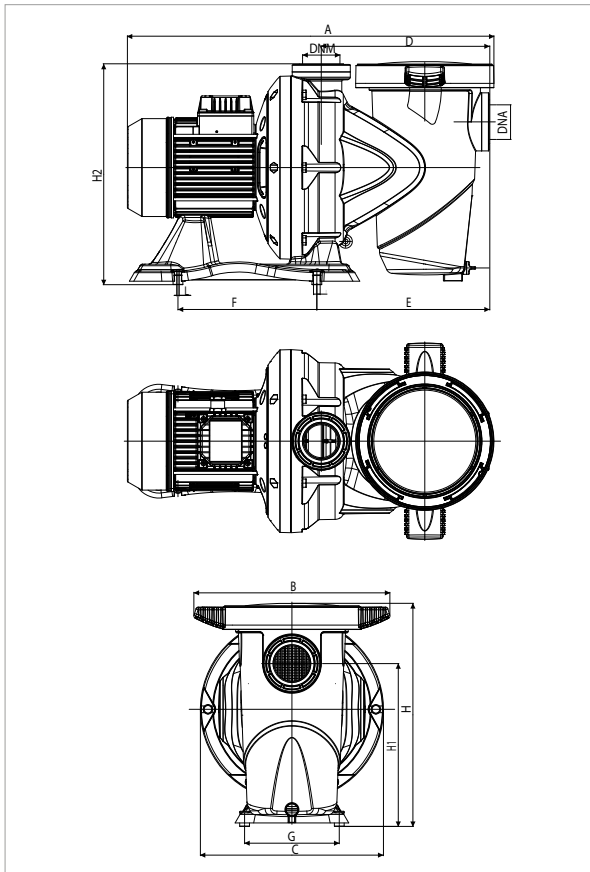


EUROSWIM 200 - SWIMMING POOL CENTRIFUGAL ELECTRIC PUMPS

Pumped liquid temperature range: up to 60 °C - Maximum ambient temperature: +50 °C



The performance curves are based on kinematic viscosity values = 1 mm²/s and density equal to 1000 kg/m³. Curve tolerance according to ISO 9906.

MODEL	Q= m³/h	0	3	6	9	12	18	21	24	30	36	42
	Q=l/min	0	50	100	150	200	300	350	400	500	600	700
EUROSWIM 200 M-T	H (m)	18,6	18,2	17,7	17,1	16,5	15,0	14,1	12,8	9,0	4	

MODEL	POWER INPUT 50 Hz	P1 MAX W	P2 NOMINAL		In A	CAPACITOR		NOISE LEVEL MAX db (A)
			kW	HP		µF	Vc	
EUROSWIM 200 M	1 x 220-240 V ~	1900	1,5	2	8,6	40	450	67
EUROSWIM 200 T	3 x 230-400 V ~	1900	1,5	2	7.2/4	-	-	67

MODEL	A	B	C	D	E	F	G	H	H1	H2	I	L	DNA	DNM	PACKING DIMENSIONS			GROSS WEIGHT kg	Q.TY X PALLET
															L/A	L/B	H		
EUROSWIM 200 M	648	250	290	267	274	220	150	387	258	350	11	6,5	2"	2"	720	350	430	24	6
EUROSWIM 200 T	574	250	290	267	274	220	150	387	258	350	11	6,5	2"	2"	720	350	430	22	6