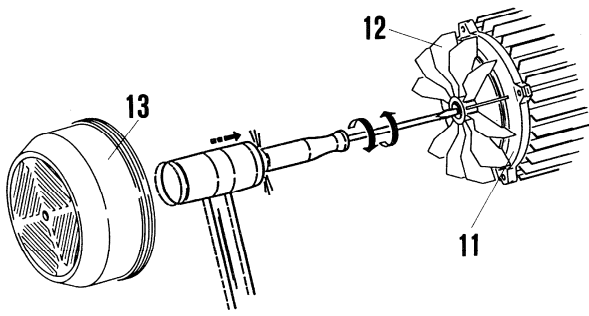
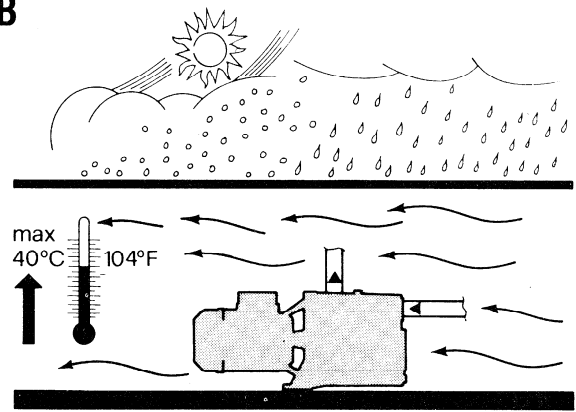
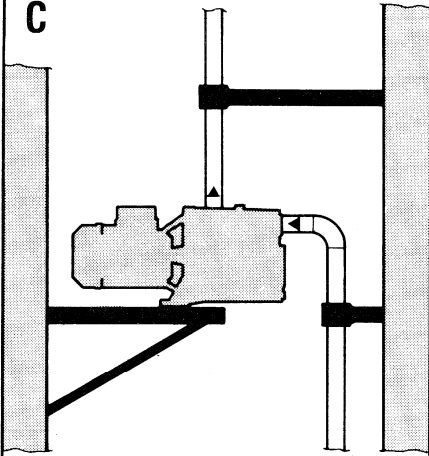
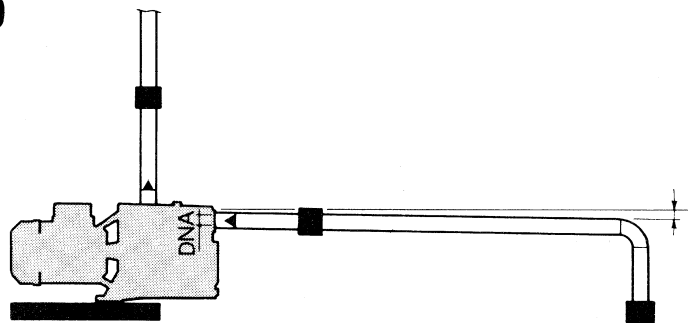
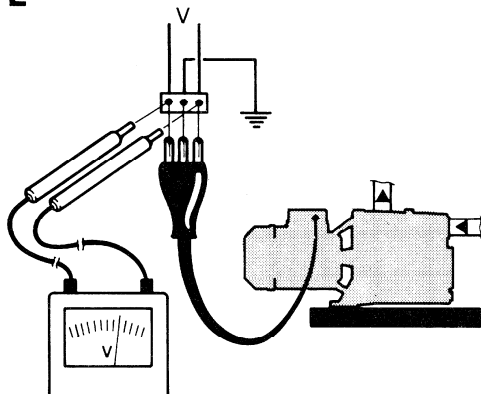
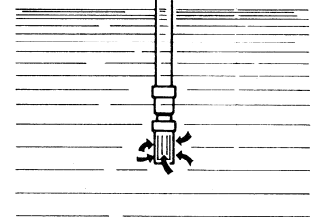
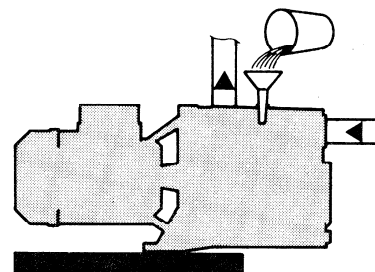
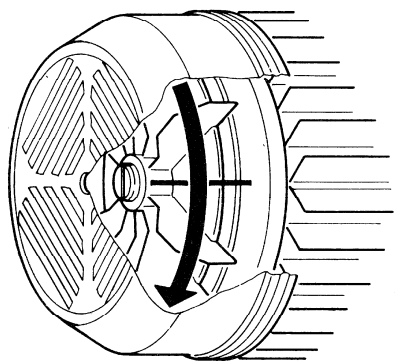
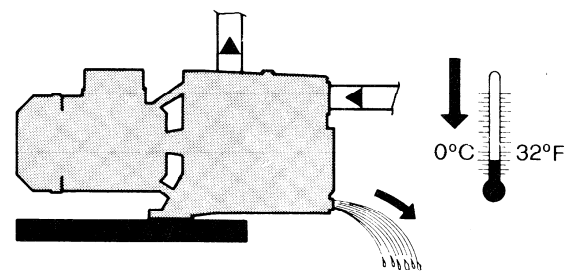

**ISTRUZIONI PER L'INSTALLAZIONE E LA MANUTENZIONE
INSTRUCTIONS DE MISE EN SERVICE ET D'ENTRETIEN
INSTRUCTIONS FOR INSTALLATION AND MAINTENANCE
INSTALLATIONSANWEISUNG UND WARTUNG
INSTRUCTIES VOOR INGEBRUIKNAME EN ONDERHOUD
INSTRUCCIONES PARA LA INSTALACION Y EL MANTENIMIENTO
INSTALLATIONS - OCH UNDERHÅLLSANVISNING
KULLANIM VE BAKIM TALİMATLARI
ИНСТРУКЦИИ ПО МОНТАЖУ И ТЕХНИЧЕСКОМУ
ОБСЛУЖИВАНИЮ
MONTAVIMO IR PRIEŽIŪROS INSTRUKCIJA
INSTRUCTIUNI PENTRU INSTALARE SI INTRETINERE
INSTRUÇÕES PARA A INSTALAÇÃO E A MANUTENÇÃO
ΟΔΗΓΙΕΣ ΓΙΑ ΤΗΝ ΕΓΚΑΤΑΣΤΑΣΗ ΚΑΙ ΣΥΝΤΗΡΗΣΗ
安装和维护说明
إرشادات للتركيب والعناية.
NÁVOD NA POUŽITÍ A ÚDRŽBU
ASENNUS- JA HUOLTO-OHJEET
UPUTSTVO ZA RUKOVANJE
INSTALLÁCIÓS ÉS KARBANTARTÁSI UTASÍTÁS**

**JET 151 – 251 – 200 – 300
DP – AQUADP
EURO – EUROINOX – EUROCOM – EUROCOM SP
GARDEN-INOX
K
KP 38/18 – 60/6 – 60/12
KPA 40/20**



A**B****C****D****E****F****G****H**

JET 151 - JET 251
JET 200 - JET 300

DP 81 - DP 100
DP 82 - DP 102
DP 151 - DP 251

AQUADP 82/20 - AQUADP 102/20
AQUADP 151/40 - AQUADP 251/40

EURO 15/30 - EURO 20/50 - EURO 25/30 - EURO 30/30 - EURO 40/30
EURO 25/306 - EURO 30/306 - EURO 40/306

EUROINOX 15/30 - EUROINOX 20/50 - EUROINOX 25/30 - EUROINOX 30/30
EUROINOX 40/30

EUROINOX 25/306 - EUROINOX 30/306 EUROINOX 40/306

EUROCOM 25/30 - EUROCOM 30/30
EUROCOM 25/306 - EUROCOM 30/306

EURO 30/50 - EURO 40/50 - EURO 50/50
EURO 30/506 - EURO 40/506 - EURO 50/506

EUROINOX 30/50 - EUROINOX 40/50 - EUROINOX 50/50
EUROINOX 30/506 – EUROINOX 40/506 – EUROINOX 50/506

EUROCOM 30/50 - EUROCOM 40/50
EUROCOM 30/506 - EUROCOM 40/506

EURO 25/80 - EURO 30/80 - EURO 40/80
EURO 25/806 - EURO 30/806 - EURO 40/806

EUROINOX 25/80 - EUROINOX 30/80 - EUROINOX 40/80
EUROINOX 25/806 - EUROINOX 30/806 - EUROINOX 40/806

EUROCOM 25/80 - EUROCOM 30/80
EUROCOM 25/806 - EUROCOM 30/806

EUROCOM SP 30/50 - EUROCOM SP 40/50
EUROCOM SP 30/506 - EUROCOM SP 40/506

GARDEN-INOX 30/30 - GARDEN-INOX 40/50

K 20/41 - K 30/70 - K 30/100 - K 36/100
K 12/200 - K 14/400

K 35/40 - K 45/50 - K 55/50
KE 35/40 - KE 45/50 - KE - 55/50

K 35/100 - K 40/100

KP 38/18 - KP 60/6 - KP 60/12 - KPA 40/20

ITALIANO	pag	01
FRANÇAIS	page	08
ENGLISH	page	15
DEUTSCH	Seite	22
NEDERLANDS	bladz	29
ESPAÑOL	pág	36
SVENSKA	sid	43
TÜRKÇE	sayfa	49
РУССКИЙ	стр.	56
LIETUVIŠKAI	psl.	63
ROMANA	pag.	69
PORTUGUÊS	pág.	75
ΕΛΛΗΝΙΚΑ	σελ.	81
	عربي صفحة 88	
中文	页码	94
ČESKY	strana	99
SUOMI	sivu	105
POLSKI	str.	112
SRPSKI	Str	119
MAGYAR	oldal	125

	page
CONTENTS	
1. GENERAL	15
2. APPLICATIONS	15
3. PUMPED FLUIDS	15
4. TECHNICAL DATA AND RANGE OF USE	15
5. MANAGEMENT	17
5.1. Storage	17
5.2. Transport	17
5.3. Weights	17
6. WARNINGS	17
6.1. Skilled personnel	17
6.2. Safety	18
6.3. Checking motor shaft rotation	18
6.4. Responsibility	18
7. INSTALLATION	18
8. ELECTRICAL CONNECTION	18
9. STARTING UP	19
10. PRECAUTIONS	19
11. MAINTENANCE AND CLEANING	19
12. MODIFICATIONS AND SPARE PARTS	19
12.1 Removal and replacement of the supply cable	19
13. TROUBLESHOOTING	21
1. GENERAL	



Read this documentation carefully before installation. Installation and functioning must comply with the safety regulations in force in the country in which the product is installed. The entire operation must be carried out in a workmanlike manner.

Failure to comply with the safety regulations not only causes risk to personal safety and damage to the equipment, but invalidates every right to assistance under guarantee.

2. APPLICATIONS

KP 38/18 - KP 38/18 pred. - KP 60/6 - KP 60/12: Peripheral pump suitable for domestic use, with limited bulk, capable of generating high heads for water supply, small gardening jobs, draining and filling cisterns. Also suitable for small industrial uses.

KPA 40/20: liquid ring pump with star-shaped impeller, with excellent suction capacities even in the presence of air bubbles or when the fluid to be lifted is not continuously available. Used particularly for supplying water to household systems, for increasing pressure or stabilising the water supply (in compliance with local regulations) and for lifting water from wells. Suitable for small irrigation work in gardens and in general for all applications where a self-priming pump is required. It can also satisfy small industrial applications.

JET 200 - JET 300 - JET 151 - JET 251: Self-priming centrifugal jet pumps with excellent suction capacity, even when gas is present in the water. Particularly suitable for water supply uses and for pressurization in the home. Suitable for small farming applications, market gardens, gardening, emergencies in the home and industrial utilities.

DP 81 - DP 82 - DP 100 - DP 102 - DP 151 - DP 251 - AQUADP 82/20 - AQUADP 102/20 - AQUADP 151/40 - AQUADP 251/40 : Self-priming centrifugal pumps for suction at depths of as many as 30 metres with ejector to be fitted in 4" wells or larger. Used for supplying water to farm houses and in small farming applications.

EURO - EUROINOX and derived models: Self-priming multistage centrifugal pump with horizontal action, suitable for domestic or industrial uses, for water supply systems and pressurization. In farming it is ideal for small irrigation work and for washing tools and machinery. Also suitable for water containing gas. Water is recycled only during the priming stage, after which the maximum flow is made available for use with continuous and constant distribution. These qualities allow vast possibilities for use.

K 20/41 - K 30/70 - K 30/100 - K 36/100 - K 12/200 - K 14/400: Single-impeller centrifugal pumps suitable for lifting water for domestic, industrial and agricultural use. Excellent for transfer and mixing operations.

K 35/40 - K 45/50 - K 55/50 - K 35/100 - K 40/100: Centrifugal pumps characterized by the use of two impellers (opposed for models K 35/40 - K 45/50 - K 55/50), with extremely silent operation. Particularly suitable for use in pressurization units for water supply systems and for feeding autoclaves. Also suitable for sprinkling irrigation and many other uses in the most varied fields of application.

3. PUMPED FLUIDS



The machine has been designed and built for pumping water, free from explosive substances and solid particles or fibres, with a density of 1000 kg/m³ and a kinematic viscosity of 1 mm²/s, and chemically non-aggressive liquids.

4. TECHNICAL DATA AND RANGE OF USE

- | | | |
|--------------------------|--|---------------------------|
| – Supply voltage: | 220 - 240V 50Hz / 110V 50Hz
115V 60Hz / 230V 60Hz
230 V3 – 400 V3 50/60Hz
127 V 60 Hz | see electrical data plate |
| – Absorbed power: | see electrical data plate | |

- **Delivery:** from 0,06 to 37 m³/h
- **Head up – Hmax (m):** pag. 132
- **Pumped liquid:** clean, free from solid bodies or abrasive substances, non-aggressive.
- **Degree of motor protection:** IP44 (For IP55 see plate on package)
- **Degree of terminal board protection:** IP55
- **Protection class:** F
- **Cable clamp:** PG 11 and/or PG 13.5, depending on models
- **Line fuses AM class:**

Model	Line fuses(Amps)			
	110V 50Hz 115V 60Hz 127 V 60 Hz	220-240V 50Hz 230V 60Hz	230 V3 50/60Hz	400 V3 50/60Hz
KP 38/18, KP 38/18 Pred., KP 60/6, DP 81, DP 82, AQUADP 82/20 K 20/41	8	4	4	2
KPA 40/20	8	6	4	2
KP 60/12;	--	6	4	4
EURO 40/30-40/306 / 30/50-30/506 / 25/80-25/806 EUROINOX 40/30-40/306 / 30/50-30/506 / 25/80-25/806 EUROCOM 25/80-25/806 / 30/50-30/506 EUROCOM SP 30/50-30/506	10	6	4	4
EURO 25/30-25/306 / 30/30-30/306 EUROINOX 25/30-25/306 / 30/30-30/306 EUROCOM 25/30-25/306 / 30/30-30/306 GARDEN-INOX 30/30	8	4	4	4
EURO 40/50-40/506 / 30/80-30/806 EUROINOX 40/50-40/506 / 30/80-30/806 EUROCOM 40/50-40/506 / 30/80-30/806 EUROCOM SP 40/50-40/506 GARDEN-INOX 40/50	12	6	6	4
EURO 50/50-50/506 / 40/80-40/806 EUROINOX 50/50-50/506 / 40/80-40/806	20	8	6	4
K 12/200, K 30/70, K 35/40, DP 100, DP 102, AQUADP 102/20, KE 35/40	12	6	6	4
K 30/100	16	8	6	4
JET 151, K 35/100	20	10	6	4
K 40/100, K 36/100, K45/50, DP 151, AQUADP 151/40, KE 45/50	20	10	8	4
JET 200, K 14/400	20	10	8	6
JET 251	25	12	8	6
JET 300, K 55/50, DP 251, AQUADP 251/40, KE 55/50	32	16	10	6
Maximun operating pressure:	6 bar (600 kPa):	DP 81, DP 82, DP 100, DP 102, AQUADP 82/20, AQUADP 102/20 EURO, EUROINOX, EUROCOM, EUROCOM SP, GARDEN-INOX K 35/40, K 35/100, K 40/100, K 20/41, K 30/70, K 30/100, K 36/100, K 12/200, K 14/400, KE 35/40		
	7,5 bar (750 kPa):	JET 151, JET 251, JET 200, JET 300 DP 151, DP 251, AQUADP 151/40, AQUADP 251/40		
	8 bar (800 kPa):	K 45/50, K 55/50, KE 45/50, KE 55/50		
	10 bar (1000 kPa):	KP 60/6, KP 60/12, KP 38/18 KPA 40/20		
Liquid temperature range:	0 ÷ +35°C:	For all homologated pumps EN 60335-2-41 (for domestic uses)		
	0 ÷ +40°C:	JET 151, JET 251, JET 200, JET 300 DP 81, DP 82, DP 100, DP 102, DP 151, DP 251 AQUADP 82/20, AQUADP 102/20, AQUADP 151/40, AQUADP 251/40		
	-10 ÷ +50°C:	K 20/41, K 30/70, K 30/100, K 36/100, K 12/200, K 35/40, K 45/50, K 35/100, K 40/100 KP 38/18, KE 35/40, KE 45/50		
	-10 ÷ +80°C:	KP 60/6, KP 60/12 KPA 40/20		
	-15 ÷ +110°C:	K 14/400, K 55/50, KE 55/50		

- **Storage temperature:** -10°C to +40°C
- **Relative humidity of the air:** MAX. 95%
- **Noise level:**
 - For pumps intended for outdoor use: noise emission according to Directive 2000/14/CE.
 - For other pumps: noise emission according to Directive EC 89/392/CEE and subsequent amendments.
- **Motor construction in conformity with standards CEI 2-3 - CEI 61-69 (EN 60335-2-41).**
- **The leads of the supply cables must have a rated section no smaller than that illustrated in the following table:**

Rated current: of the appliance A		Rated section mm ²
	≤ 0,2	Flat twin tinsel cord ^a
> 0,2	and ≤ 3	0,5 ^a
> 3	and ≤ 6	0,75
> 6	and ≤ 10	1,0 (0,75) ^b
> 10	and ≤ 16	1,5 (1,0) ^b
> 16	and ≤ 25	2,5
> 25	and ≤ 32	4
> 32	and ≤ 40	6
> 40	and ≤ 63	10
^a These cables may be used only if their length does not exceed 2 m between the point in which the cable or its sheath enters the appliance and its entry in the plug.		
^b The cables with the sections indicated in brackets may be used for mobile appliances if their length does not exceed 2 m.		

5. MANAGEMENT

5.1 Storage

All the pumps must be stored indoors, in a dry, vibration-free and dust-free environment, possibly with constant air humidity.

They are supplied in their original packaging and must remain there until the time of installation. If this is not possible, the intake and delivery aperture must be accurately closed.

5.2 Transport

Avoid subjecting the products to needless jolts or collisions.

To lift and transport the unit, use lifting equipment and the pallet supplied standard (if applicable).

5.3 Weights

The adhesive label on the package indicates the total weight of the electropump.

6. WARNINGS

6.1 Skilled technical personnel



It is advisable that installation be carried out by skilled personnel in possession of the technical qualifications required by the specific legislation in force.

The term **skilled personnel** means persons whose training, experience and instruction, as well as their knowledge of the respective standards and requirements for accident prevention and working conditions, have been approved by the person in charge of plant safety, authorizing them to perform all the necessary activities, during which they are able to recognize and avoid all dangers. (Definition for technical personnel IEC 364).

The appliance is not intended to be used by persons (including children) with reduced physical, sensory or mental capacities, or who lack experience or knowledge, unless, through the mediation of a person responsible for their safety, they have had the benefit of supervision or of instructions on the use of the appliance. Children should be supervised to ensure that they do not play with the appliance.

Modello / Modèle / Model Modell / Model / Modelo / Modell Model / Модель / Μοντέλο مماؤم /Malli / Model / Model / Modell	Prevalenza / Hauteur d'élévation / Head up Förderhöhe / Overwicht / Prevalencia Maximal pumphöjd / Manometrik yükseklik / Hanop Μανομετρικό / التفتوق / Nostokorkeus / Wysokość ciśnienia / Napor / Emelési magasság	
	<i>Hmax (m.) 2 poles 50 Hz</i>	<i>Hmax (m.) 2 poles 60 Hz</i>
JET 200	46.5	42.3
JET 300	51	52
JET 151	61	62
JET 251	62	63
EURO 15/30	24.3	
EURO 20/50	28.5	
EURO 25/30 – 25/306	34.4	35.9
EURO 30/30 – 30/306	46	48.2
EURO 40/30 – 40/306	57	58.8
EURO 30/50 – 30/506	42.2	38.8
EURO 40/50 – 40/506	57.7	55
EURO 50/50 – 50/506	72	66.1
EURO 25/80 – 25/806	34	35.8
EURO 30/80 – 30/806	47.3	49.5
EURO 40/80 – 40/806	59	62
EUROINOX 15/30	24.3	
EUROINOX 20/50	28.5	
EUROINOX 25/30 – 25/306	35	35.9
EUROINOX 30/30 – 30/306	46	49
EUROINOX 40/30 – 40/306	57	58.8
EUROINOX 30/50 – 30/506	42.2	38.8
EUROINOX 40/50 – 40/506	58	54
EUROINOX 50/50 – 50/506	72	66
EUROINOX 25/80 – 25/806	34	37
EUROINOX 30/80 – 30/806	47.3	52
EUROINOX 40/80 – 40/806	59	60
EUROCOM 25/30 – 25/306	34.4	35.9
EUROCOM 30/30 – 30/306	46	48
EUROCOM 30/50 – 30/506	42.2	38.8
EUROCOM 40/50 – 40/506	57.7	54
EUROCOM 25/80 – 25/806	34	35.8
EUROCOM 30/80 – 30/806	47.3	49.2
EUROCOM SP 30/50 – 30/506	42.2	38.8
EUROCOM SP 40/50 – 40/506	57.7	53.8
GARDEN-INOX 30/30	46	
GARDEN-INOX 40/50	57.7	
K 20/41	22	24.1
K 30/70	32.5	33
K 30/100	29.2	30.8
K 36/100	34.9	36.4
K 12/200	18.4	19.2
K 14/400	19	18.5
K 35/40	44	44.4
K 45/50	51	53.5
K 55/50	62	60

Modello / Modèle / Model Modell / Model / Modelo / Modell Model / Модель / Μοντέλο نموذج /Malli / Model / Model / Modell	Prevalenza / Hauteur d'élévation / Head up Förderhöhe / Overwicht / Prevalencia Maximal pumphöjd / Manometrik yükseklik / Ханор Μανομετρικό / التفتوق / Nostokorkeus / Wysokość ciśnienia / Napor / Emelési magasság	
	<i>Hmax (m.) 2 poles 50 Hz</i>	<i>Hmax (m.) 2 poles 60 Hz</i>
K 35/100	38.5	37.5
K 40/100	44	46.2
KP 38/18	52	52
KP 60/6	87	82
KP 60/12	107	103
KPA 40/20	56	
KE 35/40	44	44.4
KE 45/50	51	53.5
KE 55/50	62	60

DAB PUMPS LTD.

Units 4 & 5, Stortford Hall Industrial Park,
Dunmow Road, Bishop's Stortford, Herts
CM23 5GZ - UK
salesuk@dwtgroup.com
Tel.: +44 1279 652 776
Fax: +44 1279 657 727

DAB PUMPS B.V.

Brusselstraat 150
B-1702 Groot-Bijgaarden - Belgium
info.belgium@dwtgroup.com
Tel.: +32 2 4668353
Fax: +32 2 4669218

PUMPS AMERICA, INC. DAB PUMPS DIVISION

3226 Benchmark Drive
Ladson, SC 29456 USA
info.usa@dwtgroup.com
Ph. : 1-843-824-6332
Toll Free: 1-866-896-4DAB (4322)
Fax : 1-843-797-3366

OOO DWT GROUP

100 bldg. 3 Dmitrovskoe highway,
127247 Moscow - Russia
info.russia@dwtgroup.com
Tel.: +7 495 739 52 50
Fax: +7 495 485-3618

DAB POLAND - Representative Office

Mokotow Marynarska
Ul. Postepu 15c - 3rd Floor
02-676 Warsaw - POLAND
Tel. +48 223 81 6085

DAB PUMPS CHINA

No.40 Kaituo Road, Qingdao Economic &
Technological Development Zone
Qingdao City, Shandong Province, China
PC: 266500
info.china@dwtgroup.com
Tel.: +8653286812030-6270
Fax: +8653286812210

DAB PUMPS IBERICA S.L.

Avenida de Castilla nr.1 Local 14
28830 - San Fernando De Henares - Madrid
Spain
info.spain@dwtgroup.com
Ph.: +34 91 6569545
Fax: +34 91 6569676

DAB PUMPS B.V.

Albert Einsteinweg, 4
5151 DL Drunen - Nederland
info.netherlands@dwtgroup.com
Tel.: +31 416 387280
Fax: +31 416 387299

DWT South Africa

Podium at Menlyn, 3rd Floor, Unit 3001b,
43 Ingersol Road, C/O Lois and Atterbury,
Menlyn, Pretoria, 0181 South-Africa
info.sa@dwtgroup.com
Tel +27 12 361 3997
Fax +27 12 361 3137

DAB PUMPEN DEUTSCHLAND GmbH

Tackweg 11
D - 47918 Tönisvorst - Germany
info.germany@dwtgroup.com
Tel.: +49 2151 82136-0
Fax: +49 2151 82136-36

DAB UKRAINE Representative Office

Regus Horizon Park
4M. Hrinchenka St, suit 147
03680 Kiev. UKRAINE
Tel. +38 044 391 59 43

DAB PRODUCTION HUNGARY KFT.

H-8800
NAGYKANIZSA, Buda Ernó u.5
HUNGARY
Tel. +36.93501700

**DAB PUMPS S.p.A.**

Via M. Polo, 14 - 35035 Mestrino (PD) - Italy
Tel. +39 049 5125000 - Fax +39 049 5125950
www.dabpumps.com