



Depend on Davey

DAVEY

APPLICATIONS

- Grey and black water pumping
- Sump emptying
- Septic effluent and sewage disposal
- Pumping of waste water with soft solids in suspension



D120G

Grinder and shredder ring

Submersible Grinder Pumps

Model Numbers:

D75G, D75GA, D120G, D120GA, D150G, D150GA, DT08G, DT12G, DT15G, DT22G & DT37G

Submersible pump consisting of a solids handling grinder inlet with a high head open impeller to pump waste water containing soft solids in suspension.

WHY CHOOSE THE

Davey Submersible Grinder Pumps?

PUMP

Heavy duty shredding and grinding ring at inlet.

Centrifugal design, open impeller.

Double Mechanical shaft seal in oil bath.

Hard faced Silicon Carbide/Ceramic seal on pump side.

Sand slinger lip seal for added protection.

O-ring casing sealing.

Corrosive resistant stainless steel and quality heavy duty powder coated cast iron pump parts.

MOTOR

2 pole, 2900rpm 50Hz 240V single phase or 415V three phase.

Submersible with IPx8 enclosure.

Class F insulation.

10 metre HO7RN-F oil resistant power lead and seal sensor lead fitted with bared wire lead ends for easy connection to power supply terminations.

Seal sensor leads fitted for easy connection to a protection relay to enable timely repairs prior to motor damage. Not fitted to D75G/GA or DT08G models.

Protected against both high operating temperatures and high current by a built in automatically resetting thermal overload.

BENEFITS

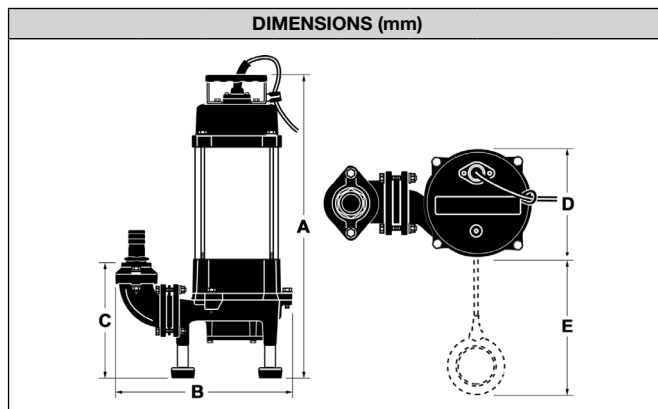
- Able to pump soft organic solids, sanitary products, thin rubber products and even some textiles in suspension, by shredding to a slurry
- Open impeller prevents blockage of the pump by small solids in the slurry
- High heads and small solids allow connection to small discharge pipe systems, especially suited to pumping waste water to pressure sewer mains
- Silent operation
- Quick and easy installation
- Hose tail supplied with every pump
- Low maintenance
- Fully repairable
- Mounting feet with rubber cushions fitted for a firm and stable positioning during installation and operation for D75G/GA, DT08G, D120G/A, D150G/A, DT12G & DT15G.
- Adaptable to slide rails – see accessories

OPERATING LIMITS	
Capacities to	290 lpm
Maximum total head	38m
Maximum submergence	20m
Maximum pumped water temperature	40°C

SUITABLE FLUIDS	
Sewage or "Grey Water" of neutral pH containing up to 20% soft organic solids (some wear should be expected while pumping hard solids in suspension).	

MATERIALS OF CONSTRUCTION	
Part	Material
Impeller	Cast iron - FCD 400
Shredding ring	High Chromium steel
Grinding ring	High Chromium steel
Pump casing	Cast iron - FCD 400
Outlet	Cast iron - FC200
Shaft seal – pump side	Silicon carbide / ceramic Carbon / ceramic Mechanical seals in captive oil bath and oil seal.
Shaft seal – pump side	
Shaft seal elastomer	Nitrile rubber
Pump shaft	304 stainless steel
O-rings	Nitrile rubber
Motor shell	304 stainless steel
Fasteners	304 stainless steel
Float and power supply leads	HO7RN-F oil resistant

ELECTRICAL DATA										
Type	D75G/GA	D120G/GA	D150G/GA	DT08G	DT12G	DT15G	DT22G	DT37G		
Electrical lead	10m									
Phase	Single			Three						
Volts	220-240			380-415						
kW (nameplate)	0.75	1.20	1.50	0.75	1.20	1.50	2.20	3.70		
Amps – FL	7.50	10.00	13.00	1.90	2.30	3.00	4.50	7.90		
Insulation	F class									



Type	A	B	C	D	E	Outlet B.S.P.	Net Weight (kg)
D75G	515	300	165	170	–	1¼" F	30
D75GA	515	300	165	170	330	1¼" F	30
D120G	530	300	165	170	–	1¼" F	31
D120GA	530	300	165	170	340	1¼" F	31
D150G	580	305	185	180	–	1¼" F	37
D150GA	580	305	185	180	340	1¼" F	37
DT08G	460	300	165	170	–	1¼" F	27
DT12G	460	300	165	170	–	1¼" F	30
DT15G	490	305	185	180	–	1¼" F	32
DT22G	550	350	165	206	–	2" F	48
DT37G	570	350	165	206	–	2" F	51

INSTALLATION & PRIMING

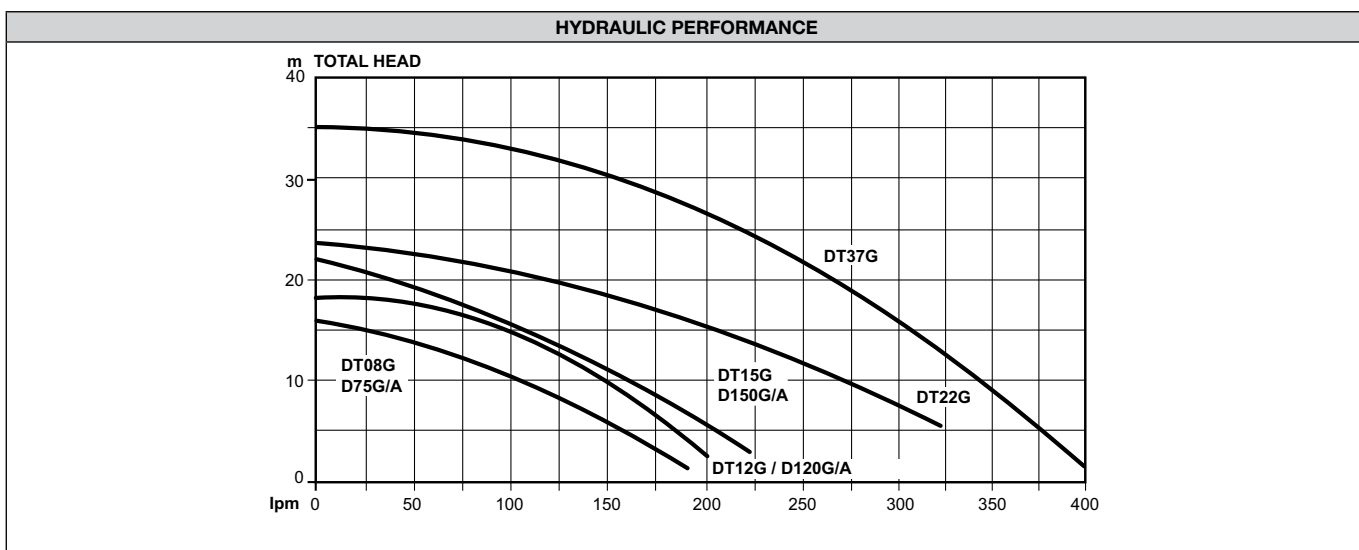
Use a rope to position and retrieve the pump. Do not lower or retrieve the pump using the power lead as this may damage the cable entry seals, causing water leaks and unsafe operation.

Do not use this product for recirculating or filtering swimming pools, spas, etc. While these pumps are built to high safety standards, they are not approved for installations where people will be in the water while they are operating.

Do not pump abrasive materials. Sand and grit in the water being pumped will accelerate wear, causing shortened pump life.

Make room for the float switch to operate. Automatic models have a float switch to turn them on when the water level rises and turn them off again when it has been pumped down to the safe operating level of the pump. If the float switch is not free to rise and fall, correct pump operation may not be possible.

Don't run your pump dry. Non-automatic models must be switched off manually or by way of an external float/level switch when the water level is reduced to the top of the pump housing.



davey.com.au | daveynz.co.nz

This literature is not a complete guide to product usage. Further information is available from your Davey Dealer, Davey Support Centre and from the relevant product Installation and Operating Instructions. Must be read in conjunction with the relevant product Installation and Operating Instructions and all applicable statutory requirements. Product specifications may change without notice.
 © Davey is a registered trademark of Davey Water Products Pty Ltd. © Davey Water Products Pty Ltd 2016.