



KT SERIES

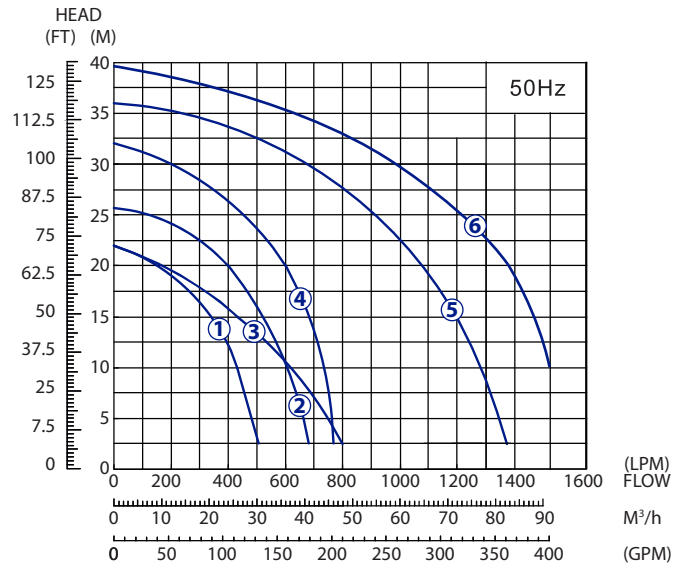
BIANCO SUBMERSIBLE INDUSTRIAL PUMPS

The KT Series is a new range of industrial submersible pumps which are suitable for de-watering of construction sites, tunnels and pumping ground or storm water from residential, commercial, mining and building sites.

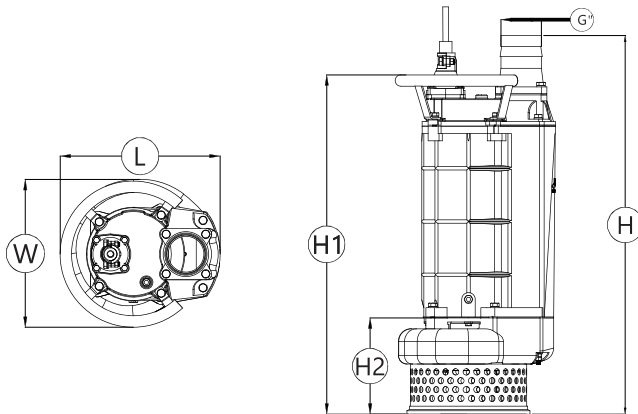
The KT Series range uses Hi-Chrome components to achieve superior abrasion resistant submersible pumps and can withstand the most demanding conditions found in construction, aggregate and mining applications

FEATURES:

- Designed for de-watering of construction sites and pits. General de-watering where there is abrasive material. Suitable for construction sites, storm water and basements.
- Industrial grade coating
- Through body motor cooling
- Heavy duty handle
- Hi-Chrome components
- Epoxy resin sealed cable entry
- Stainless steel strainer
- Max water depth: 8m



- ① BIA-KT215
- ② BIA-KT222
- ③ BIA-KT322
- ④ BIA-KT337
- ⑤ BIA-KT355
- ⑥ BIA-KT475



Model	L (mm)	W (mm)	H (mm)	H1 (mm)	H2 (mm)	G (inch)
BIA-KT215	250	235	600	570	130	2
BIA-KT222	250	235	600	570	130	2
BIA-KT322	250	235	600	570	130	3
BIA-KT337	285	255	660	670	150	3
BIA-KT355	310	260	700	705	155	3
BIA-KT475	380	350	900	805	195	4

Part Number	Item Code	kW	Hz	Volts	Amps	Max Head (m)	Max Flow (lpm)	IP Rating	Outlet Connection	Float	Weight (kg)
BIA-KT215	806182	1.5	50	415	3.2	22	505	68-8m	50mm 2" hose	No	33
BIA-KT222	806183	2.2			5.0	26	670				38
BIA-KT322	806184	2.2			5.0	22	800		80mm 3" hose		38
BIA-KT337	806185	3.7			8.0	32	760				68
BIA-KT355	806186	5.5			11.5	36	1360		100mm 4" hose		78
BIA-KT475	806187	7.5			15.0	39	1550				139