

# DT76 3" (80NB)

## Pump Specifications

Model No.	DT76
Port Size:	3" (80NB) BSPP Female
Max. Flow:	220 L/min
Max. Suction Lift:	5m
Max. Discharge Head:	6m
Max. Solid Size:	60mm
Weight:	80 KG

## Motor Specifications

Brand:	Weg W22 Three Phase
kW:	1.5
RPM:	1465
Voltage:	415
FLC:	3.19 amps
IP Rating:	66



## Materials of Construction

Diaphragm:	Nitrile
Valves:	Nitrile
Castings:	Aluminium E-Coated
Base Plate:	Mild Steel E-Coated

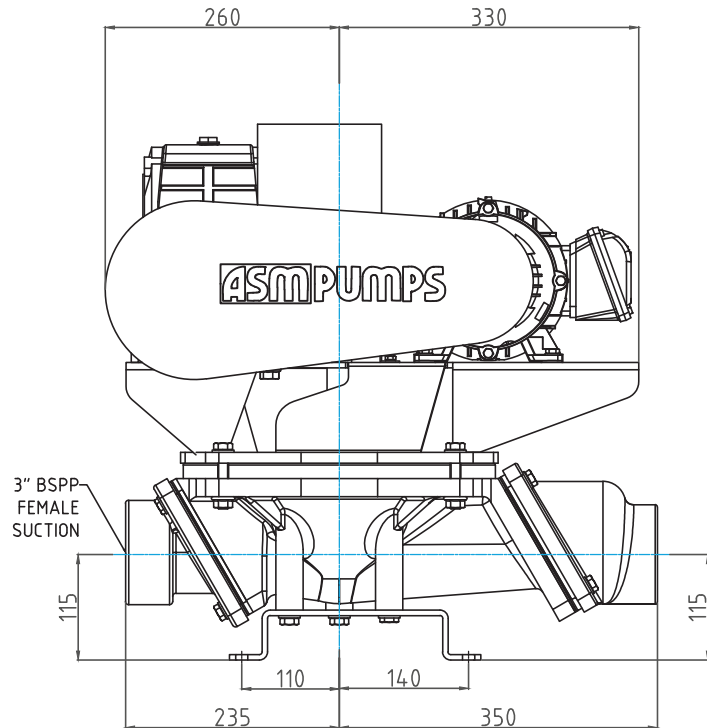
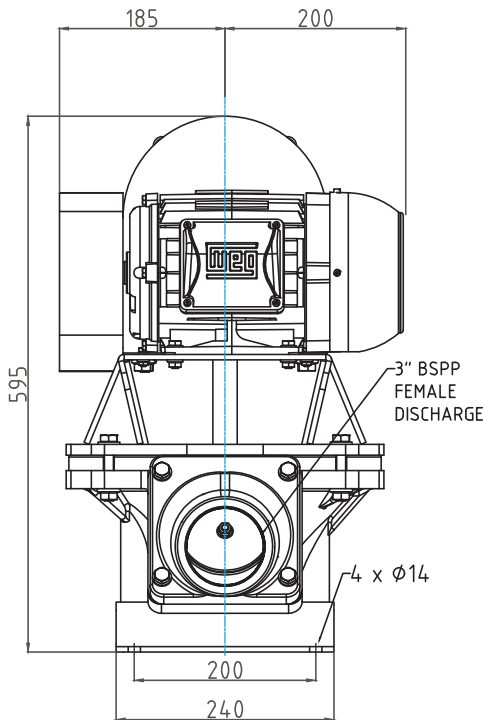
Options:	Neoprene, EPDM & Viton
Options:	EPDM, Viton & Polyurethane
Options:	SG Iron, Bronze & Stainless Steels
Options:	Stainless Steel, Carry & Trolley Frame

## Recommended Accessories

Discharge Pulsation Dampener	Part No. PD2D
Suction Pulsation Dampener	Part No. PD2S
Fluid End Service Kit	Part No. D76K1

MINIMUM INTERNAL PIPE SIZE FOR LIQUIDS WITH SAME VISCOSITY AS WATER					
PUMP SIZE	SUCTION PIPE LENGTH M		DISCHARGE PIPE LENGTH M		
	D76	0 - 5	5 - 10	0 - 5	5 - 10
	80	80	80	100	100
	SUCTION PIPE ID IN MM		DISCHARGE PIPE ID IN MM		
USE OF PIPES SMALLER THAN STATED WILL VOID WARRANTY					

Please refer to D Series Installation & Maintenance manual before installing or servicing the diaphragm pump.



ASM PUMPS  
 14 Nicole Way, Dandenong South, Victoria, 3175  
 Ph: 03 9793 7577 Email: sales@asmpumps.com.au  
 www.asmpumps.com.au

