

2SD/2.5SD

Applications

For water supply from wells or reservoirs
 For domestic use, for civil and industrial applications
 For garden use and irrigation

Operating conditions

Maximum fluid temperature up to +35°C
 Maximum sand content: 0.25%
 2SD minimum well diameter: 2"
 2.5SD minimum well diameter: 2.5"

Motor and Pump

Rewindable motor
Single-phase: 220 - 240V/50Hz
 Equip with start control box or digital auto-control box
 Pumps are designed by casing stressed
 Curve tolerance according to ISO 9906

Options on request

Special mechanical seal
 Other voltages or frequency 60Hz
 Single phase motor with built-in capacitor

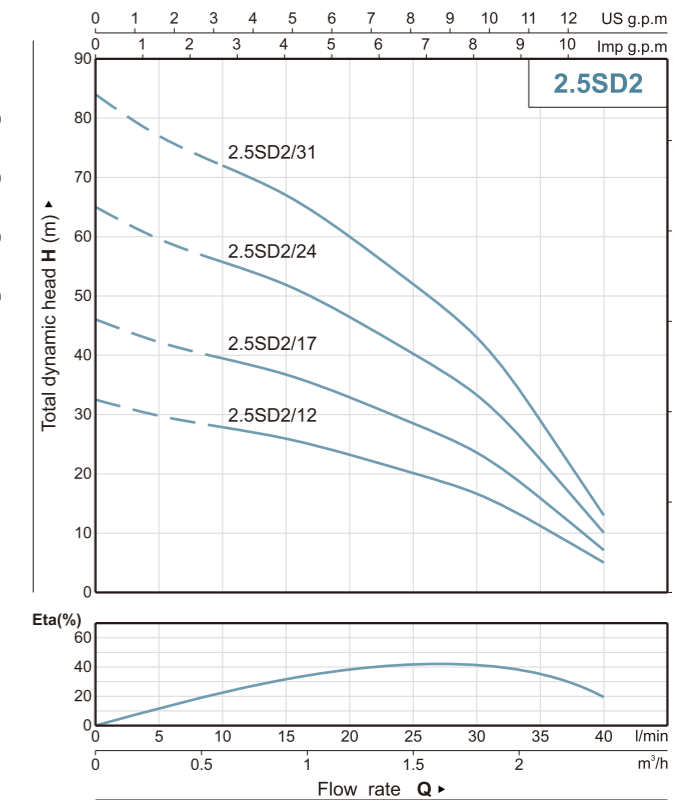
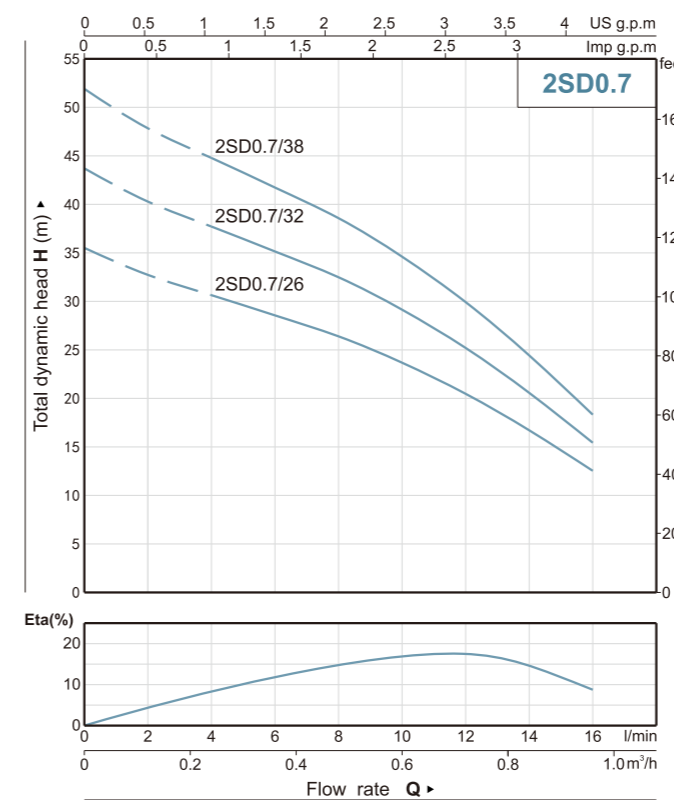
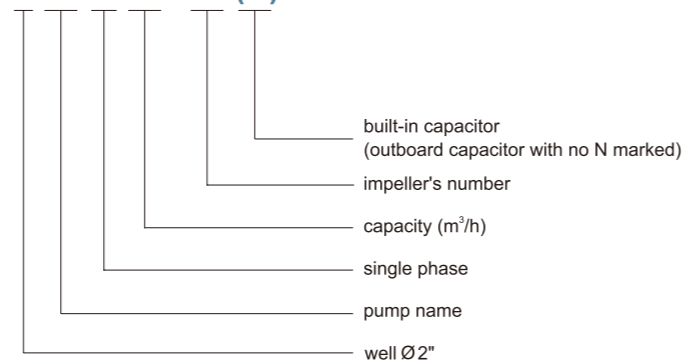
Warranty: 2 years

(according to our general sales conditions)



Components	Material
Pump external casing	AISI 304 SS
Delivery casing	Cast-Cu ASTM C85500
Suction lantern	Cast-Cu ASTM C85500
Diffuser	Plastic.PC
Impeller	Plastic.POM
Shaft	AISI 304 SS
Shaft coupling	AISI 304 SS
Wear ring	AISI 304 SS
Motor external casing	AISI 304 SS
Top chock	①Cast-Cu ASTM C85500 ②Cast-iron ASTM NO.30
Bottom support	AISI 304 SS
Mechanical seal	Special seal for deep well(Graphite-Ceramic/TC)
Shaft	AISI 304 SS-ASTM 5140
Seal lubricant oil	Oil for food machinery and pharmaceutic use.

2SDM0.7/26(N)



PERFORMANCE DATA 50Hz

MODEL	P ₂		DELIVERY n≈2850 1/min									
	kW	HP	Q	0	0.12	0.24	0.36	0.48	0.60	0.72	0.84	0.96
1~ 220 - 240V			m³/h l/min	0	2	4	6	8	10	12	14	16
2SDM0.7/26	0.18	0.25	H(m)	35	32	30	28	26	23	20	16	12
2SDM0.7/32	0.25	0.33		43	40	37	35	32	29	24	20	15
2SDM0.7/38	0.37	0.5		51	47	44	41	38	34	29	24	18

PERFORMANCE DATA 50Hz

MODEL	P ₂		DELIVERY n≈2850 1/min									
	kW	HP	Q	0	0.3	0.6	0.9	1.2	1.5	1.8	2.1	2.4
1~ 220 - 240V			m³/h l/min	0	5	10	15	20	25	30	35	40
2.5SDM2/12	0.18	0.25	H(m)	33	30	28	26	23	20	17	11	5
2.5SDM2/17	0.25	0.33		46	42	39	37	33	29	24	16	7
2.5SDM2/24	0.37	0.5		65	60	56	52	46	40	33	22	10
2.5SDM2/31	0.55	0.75		84	77	72	67	60	52	43	29	13