



Models: **UMDZ1500/80/1**
UADZ1500/80/1
UMDZ1500/80/3
UADZ1500/80/3



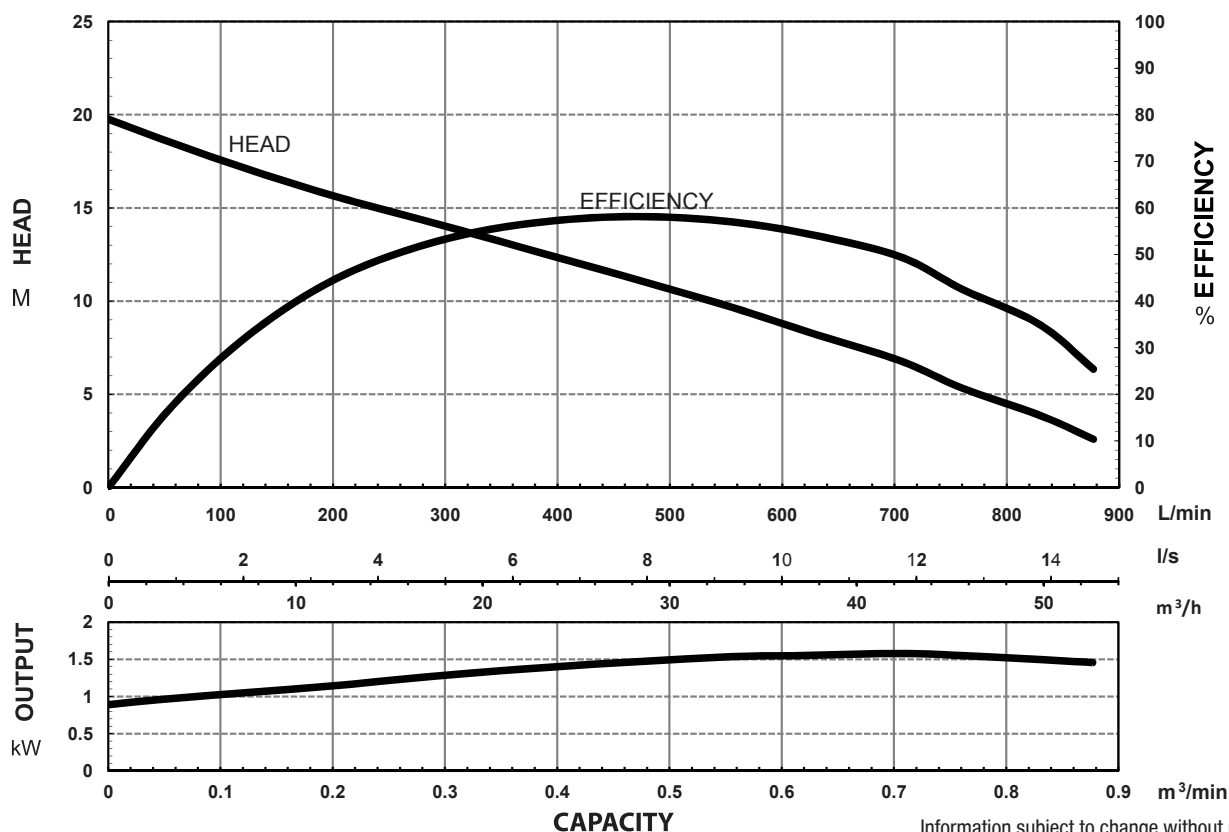
MODEL NUMBER STRUCTURE

U	Ultraflow
M	'M' indicates Manual, without floatswitch 'A' indicates Automatic, with floatswitch
D	'D' indicates 'Drainage' series
Z	'Z' indicates series
1500	Power consumption in 'Watts'
80	Outlet size
1	'1' indicates 240 volt single phase '3' indicates 415 volt three phase

SPECIFICATIONS

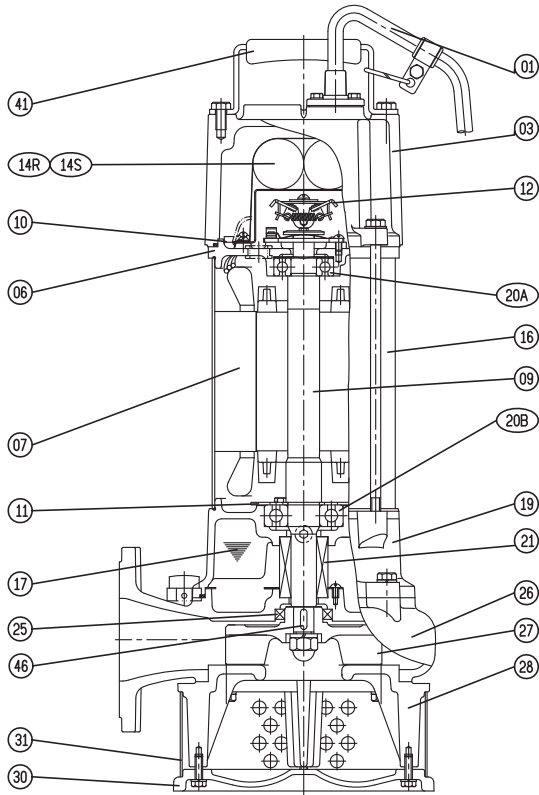
Power	1.5kW / 2.0HP	
Frequency	50Hz	
Discharge	80mm / 3 inch female BSP	
Weight (Excl cable)	33Kg (29Kg – UMDZ1500/80/3)	
Solid Passage	10.5 mm	
Phase	1 ϕ	3 ϕ
Voltage	240	415
Full Load Amps	9.8	3.4
Maximum Liquid Temperature	0-40° C	
Maximum Submersion Depth	30m (100 feet)	
Motor type	Dry motor	
Motor Speed	2 Pole (2800 rpm)	
Motor Insulation	Class B	
Motor Protection	IP68	
Protector	Auto cut	
Motor Bearings	Ball Type	
Seal Method	Dual Mechanical seal	
	Upper: Carbon/Ceramic Lower: Silicon/Silicon	
Impeller Type	Semi-open	
Motor Cover Construction	FC-200 Cast Iron	
Motor Casing Construction	304 Stainless Steel	
Motor Shaft Construction	403 Stainless Steel	
Pump Casing Construction	FC-200 Cast Iron	
Impeller Construction	FC-200 Cast Iron	
Strainer Construction	304 Stainless Steel	
Cable Material	H07RN-F	

PERFORMANCE CURVES



Information subject to change without notice.

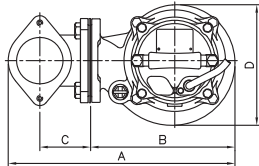
SECTIONAL DRAWING & MATERIALS LIST



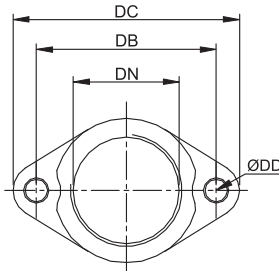
PART NUMBER	DESCRIPTION	MATERIAL
01	Cable	H07RN-F
03	Upper Motor Cap	Cast Iron FC-200
06	Upper Bearing Housing	Cast Iron FC-200
07	Motor Stator	
09	Shaft (With Rotor)	(Shaft) Stainless Steel 303
10	Auto Cut Out Overload	
11	Bearing Fixing Plate	
12	Transformer relay	
14R & 14S	Capacitors (for 240 volt models. Transformer relay for UADZ1500/80/3)	
16	Motor Casing	304 Stainless Steel
17	Lubricant	Turbine Oil
19	Lower Bearing Housing	Cast Iron FC-200
20A	Upper Bearing	
20B	Lower Bearing	
21	Mechanical Seal	Upper: Carbon/Ceramic Lower: Silicon/Silicon
25	Oil Seal	Nitrile
26	Pump Casing	Cast Iron FC-200
27	Impeller	Cast Iron FC-200
28	Suction Cover Stand	Cast Iron FC-200
30	Pump Base Plate	Cast Iron FC-200
31	Strainer	304 Stainless Steel
41	Handle	304 Stainless Steel
46	Impeller Key	304 Stainless Steel
47	O'rings	
55	Oil Plug	304 Stainless Steel
FL	Floatswitch	

When ordering spare parts as above, simply add the pump model number to the part number from the list above. For example, a power lead (part '01'). the complete spare part name would be written as '01-UADZ1500/80/1'.

DIMENSIONAL DRAWING

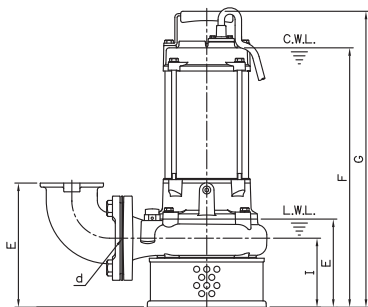


ELBOW (FLANGE) SET



DIMENSIONS - mm

DN	DB	DC	DD
80	130	155	12



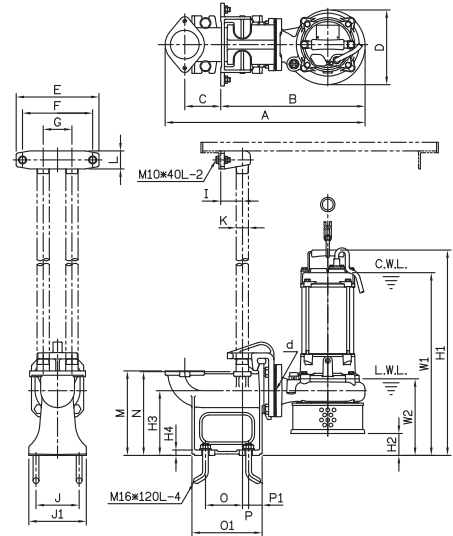
DIMENSIONS - UMDZ1500/80/1, UADZ1500/80/1, UADZ1500/80/3

d	A	B	C	D	E	F	G	H	I
80	391	249	88	208	214	152	528	591	119

DIMENSIONS - UMDZ1500/80/3

d	A	B	C	D	E	F	G	H	I
80	391	249	88	208	214	152	447	510	119

GUIDE RAIL SYSTEM DIMENSIONS USING GR80B GUIDE RAIL KIT



DIMENSIONS - UMDZ1500/80/1, UADZ1500/80/1, UADZ1500/80/3

d	A	B	C	D	E	F	G	I	J	J1	K	L	M	N	O	O1	P	P1	W1	W2	H1	H2	H3	H4
80	557	402	100	208	230	195	80	60	120	160	32	50	235	233	103	195	18	38	589	213	652	61	180	15

DIMENSIONS - UMDZ1500/80/3

d	A	B	C	D	E	F	G	I	J	J1	K	L	M	N	O	O1	P	P1	W1	W2	H1	H2	H3	H4
80	557	402	100	208	230	195	80	60	120	160	32	50	235	233	103	195	18	38	508	213	571	61	180	15

Information subject to change without notice.