



Models: **UMCZ1500/80/1**
UACZ1500/80/1
UMCZ1500/80/3
UACZ1500/80/3



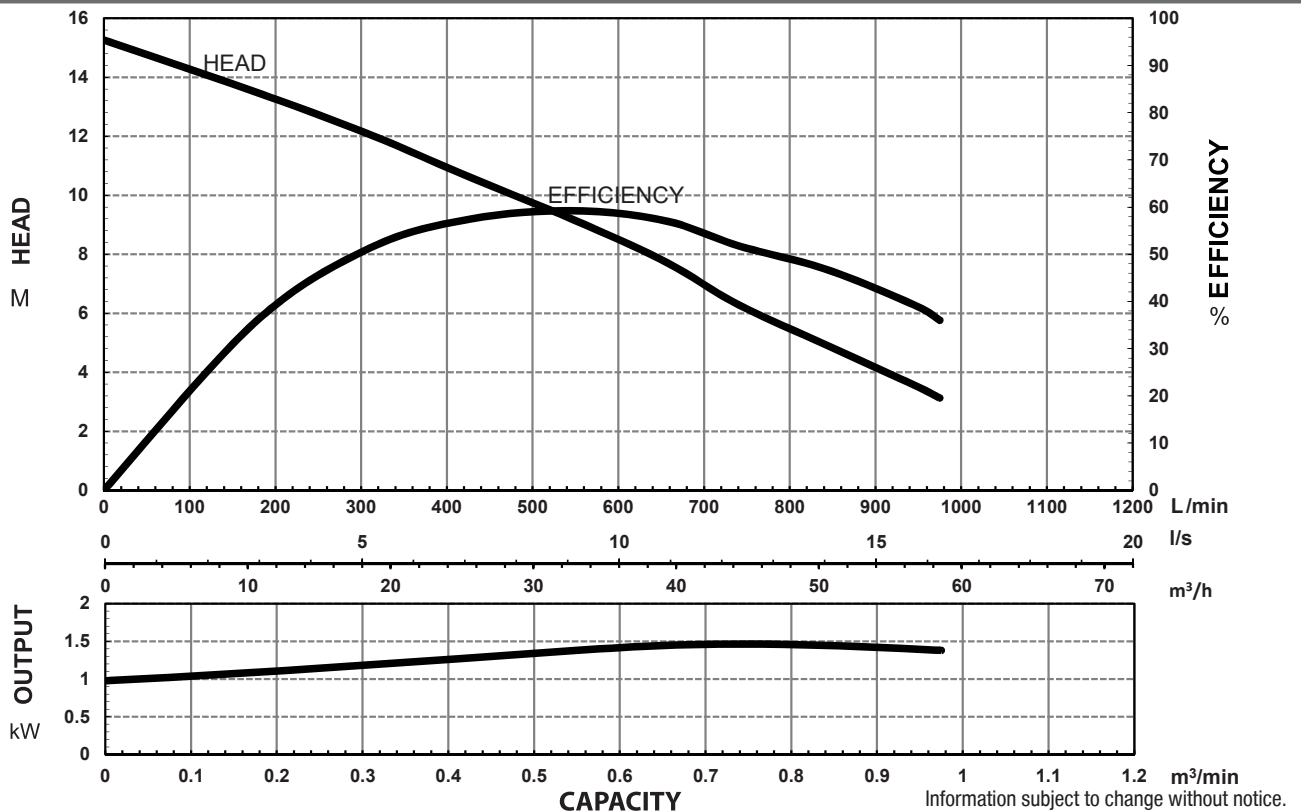
MODEL NUMBER STRUCTURE

| | |
|-------------|-----------------------------------------------------------------------------------------------|
| U | Ultraflow |
| M | 'M' indicates Manual, without floats switch 'A' indicates Automatic, without floats switch |
| C | 'C' indicates 'Cutter' series |
| Z | 'Z' indicates series |
| 1500 | Power consumption in 'Watts' |
| 80 | Outlet size |
| 1 | '1' indicates 240 volt single phase '3' indicates 415 volt three phase |

SPECIFICATIONS

| | | |
|----------------------------|-------------------------------------------------|----------|
| Power | 1.5kW / 2.0HP | |
| Frequency | 50Hz | |
| Discharge | 80mm / 3 inch female BSP | |
| Weight (Excl cable) | 37Kg (33Kg – UMCZ1500/80/3) | |
| Solid Passage | 35 mm | |
| Phase | 1 ϕ | 3 ϕ |
| Voltage | 240 | 415 |
| Full Load Amps | 9.8 | 3.4 |
| Maximum Liquid Temperature | 0-40° C | |
| Maximum Submersion Depth | 10m (33 feet) | |
| Motor type | Dry motor | |
| Motor Speed | 2 Pole (2800 rpm) | |
| Motor Insulation | Class B | |
| Motor Protection | IP68 | |
| Protector | Auto cut | |
| Motor Bearings | Ball Type | |
| Seal Method | Dual Mechanical seal | |
| | Upper: Carbon/Ceramic Lower: Silicon/Silicon | |
| Impeller Type | Semi Open | |
| Motor Cover Construction | FC-200 Cast Iron | |
| Motor Casing Construction | 304 Stainless Steel | |
| Motor Shaft Construction | 403 Stainless Steel | |
| Pump Casing Construction | FC-200 Cast Iron | |
| Impeller Construction | FC-200 Cast Iron | |
| Cutting Tip | Tungsten | |
| Cable Material | H07RN-F | |

PERFORMANCE CURVES

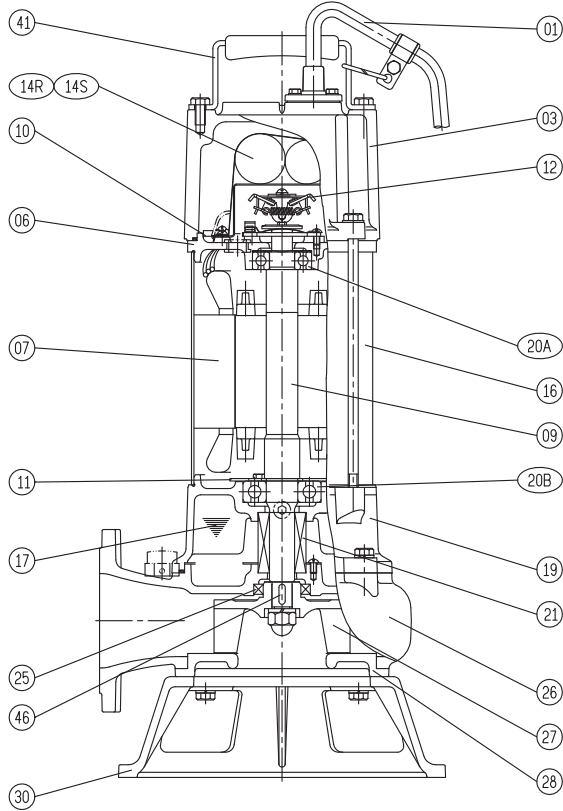


Information subject to change without notice.

Models: **UMCZ1500/80/1**
UACZ1500/80/1
UMCZ1500/80/3
UACZ1500/80/3



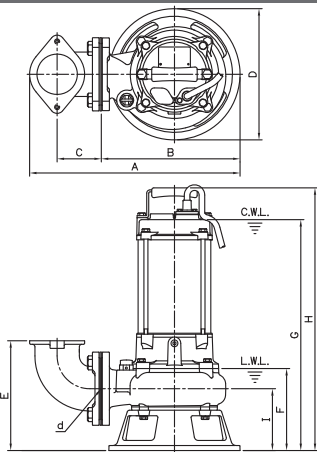
SECTIONAL DRAWING & MATERIALS LIST



| PART NUMBER | DESCRIPTION | MATERIAL |
|-------------|--------------------------------------|-------------------------------------------------|
| 01 | Cable | H07RN-F |
| 03 | Upper Motor Cap | Cast Iron FC-200 |
| 06 | Upper Bearing Housing | Cast Iron FC-200 |
| 07 | Motor Stator | |
| 09 | Shaft With (With Rotor) | (Shaft) Stainless Steel 410 |
| 10 | Auto Cut Out Overload | |
| 11 | Bearing Fixing Plate | |
| 12 | Centrifugal Switch | |
| 14R & 14S | Capacitor (240 volt models) | |
| | Transformer relay for UACZ1500/80/3) | |
| 16 | Motor Casing | 304 Stainless Steel |
| 17 | Lubricant | Turbine Oil |
| 19 | Lower Bearing Housing | Cast Iron FC-200 |
| 20A & 20B | Upper Bearing & Lower Bearing | |
| 21 | Mechanical Seal | Upper: Carbon/Ceramic Lower: Silicon/Silicon |
| 25 | Oil Seal | Nitrile |
| 26 | Pump Casing | Cast Iron FC-200 |
| 27 | Impeller | Cast Iron FC-200 |
| 28 | Suction Cover Stand | Cast Iron FC-200 |
| 30 | Pump Base Plate | 304 Stainless Steel |
| 41 | Handle | 304 Stainless Steel |
| 46 | Impeller Key | 304 Stainless Steel |
| 47 | O'rings | |
| 55 | Oil Plug | 304 Stainless Steel |
| FL | Floatswitch | |

When ordering spare parts as above, simply add the pump model number to the part number from the list above. For example, a power lead (part '01'). the complete spare part name would be written as '01-UACZ1500/80/1'.

DIMENSIONAL DRAWING



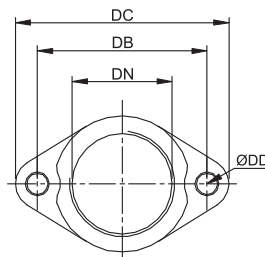
DIMENSIONS
UMCZ1500/80/1, UACZ1500/80/1,
UACZ1500/80/3

| d | A | B | C | D | E | F | G | H | I |
|----|-----|-----|----|-----|-----|-----|-----|-----|-----|
| 80 | 417 | 275 | 88 | 260 | 218 | 163 | 527 | 590 | 123 |

UMCZ1500/80/3

| d | A | B | C | D | E | F | G | H | I |
|----|-----|-----|----|-----|-----|-----|-----|-----|-----|
| 80 | 417 | 275 | 88 | 260 | 218 | 163 | 458 | 521 | 123 |

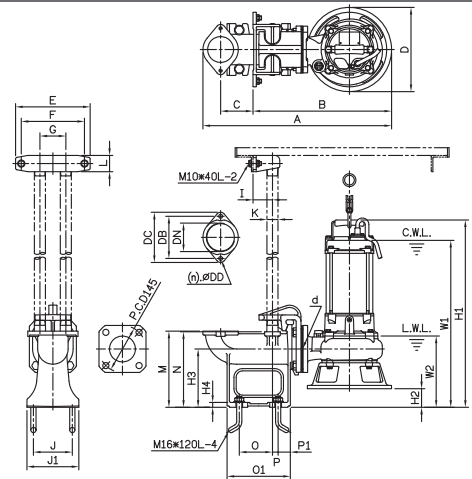
ELBOW (FLANGE) SET



DIMENSIONS - mm

| DN | DB | DC | DD |
|----|-----|-----|----|
| 80 | 130 | 155 | 12 |

GUIDE RAIL SYSTEM DIMENSIONS USING GR80B GUIDE RAIL KIT



DIMENSIONS - UMCZ1500/80/1, UACZ1500/80/1, UACZ1500/80/3

| d | A | B | C | D | E | F | G | I | J | J1 | K | L | M | O | O1 | P | P1 | W1 | W2 | H1 | H2 | H3 | H4 |
|----|-----|-----|-----|-----|-----|-----|----|----|-----|-----|----|----|-----|-----|-----|----|----|-----|-----|-----|----|-----|----|
| 80 | 583 | 428 | 100 | 260 | 230 | 195 | 80 | 60 | 120 | 160 | 32 | 50 | 235 | 103 | 195 | 18 | 38 | 584 | 220 | 647 | 58 | 180 | 15 |

DIMENSIONS - UMCZ1500/80/3

| d | A | B | C | D | E | F | G | I | J | J1 | K | L | M | O | O1 | P | P1 | W1 | W2 | H1 | H2 | H3 | H4 |
|----|-----|-----|-----|-----|-----|-----|----|----|-----|-----|----|----|-----|-----|-----|----|----|-----|-----|-----|----|-----|----|
| 80 | 583 | 428 | 100 | 260 | 230 | 195 | 80 | 60 | 120 | 160 | 32 | 50 | 235 | 103 | 195 | 18 | 38 | 515 | 220 | 578 | 58 | 180 | 15 |

Information subject to change without notice.



T 1300 662 787 | F 1300 662 717
 22-24 Somerville Circuit, Emu Plains NSW 2750
 E sales@generalpumps.com.au www.generalpumps.com.au