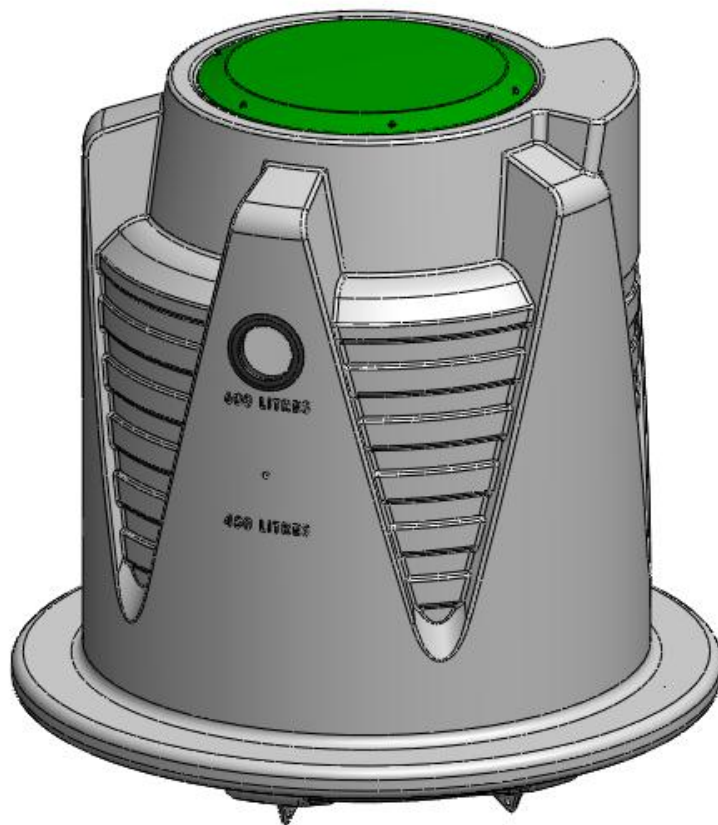
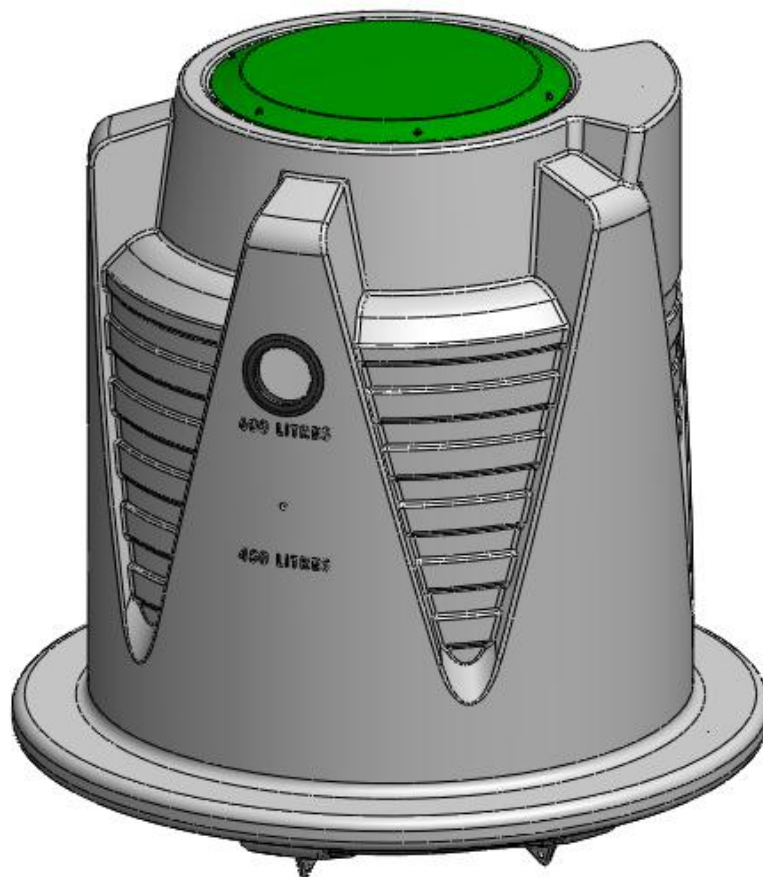


# 600L Pumpwell

## Installation guide



## 1. Pump Well Installation Instructions



The Pumpell is to be installed, by a licensed plumber, as per these instructions and local authority requirements. Any electrical connections are to be completed by a licensed electrician.

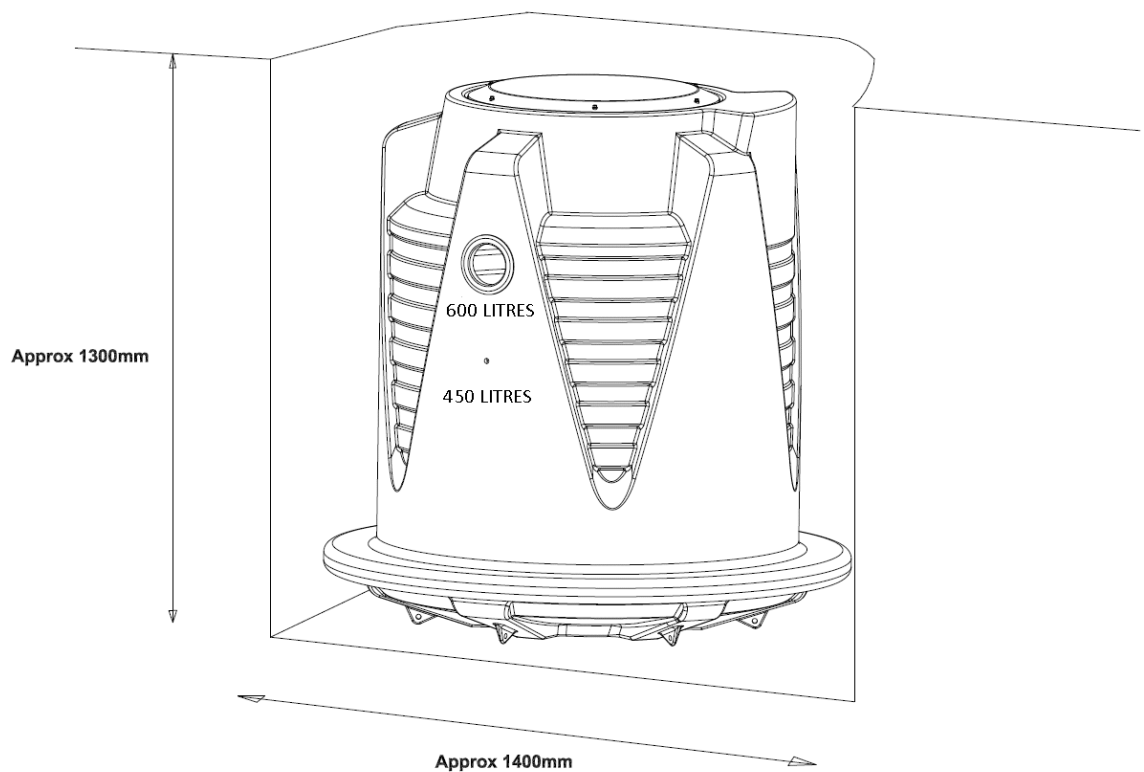
The Pump Well is supplied without the inlet hole drilled. The installer is to drill the hole to the required location to suit pipe fall or any authority specified capacity. Typically the Pump Well can be drilled in either of the two provided locations for 450 Litres and 600 Litres. Pumps, other pipe and electrical requirements are to be supplied and carried out by the relevant licensed tradesperson.

The Pump Well is approved to the requirements of the Australian Standard AS/NZS1546.1:2008 On-site domestic wastewater treatment units – Septic tanks. Lic SMK1651 and can be set to provide a capacity of between 450 Litres and 600 Litres.

Approvals and additional information on Pump Well operation and maintenance can be obtained from [www.pumpsandpipes.net.au](http://www.pumpsandpipes.net.au)

## 2. EXCAVATION

1. Excavate site for installing tank in ground as per building code and local authority requirements. Ensure adequate pipe fall to inlet of the Pump Well.
  - a. Additionally, Pump Wells are to be sited:
    - i. Away from building foundations,
    - ii. Away from traffic areas, both vehicular and pedestrian,
    - iii. Away from or fenced off from animal stock pastures and areas.
2. Refer to the tank dimensions diagram for correct levels.
  - a. Pump Well requires an excavation approximately 1300mm deep and 1400mm in diameter (the exact depth will vary due to land fall and depth of bedding sand used)



3. Do not bury tank lid. Manhole cover must be finished at normal ground level to allow ongoing Pump Well inspection and maintenance.
4. In the base of the excavation prepare a level 50mm bed of compacted sand or soft compactable fill, free of large and/or sharp objects to allow full support of the specially shaped base.
5. Carefully lower tank base into excavation - do not drop.
6. Drill inlet to align with pipe trenches. Use a 127mm diameter hole saw to drill the hole. Clean away any drilling swarf. Ensure the Pump Well is level.

### **3. CONNECTION**

1. Connection to the Pump Well is via 100mm PVC DWV Sewer pipe through the pipe seal connection.
2. Ensure the pipe seal is clean and correctly seated. Use a standard jointing lubricant. Apply lubricant to spigot of pipe and ease the pipe through the seal until the pipe protrudes inside the Pump Well at least 150mm.
3. Remove the Manhole Cover to install the pump. Carefully lower and position the pump in Pump Well.
4. Connect any relevant pipe work and electrical cable through the top of the pump well. Any electrical installation and connections must be done by a licensed electrician.
5. Seal any connection ports made in the top of the Pump Well with silicone.
6. Set the floats for the pump level controls. The float should be set so the pump switches on when the level of fluid inside the Pump Well is below the invert level of the inlet. The pump should switch off to ensure the pump remains primed and no lower than the base flange of the Pump Well.
7. Check correct operation of pump and floats.

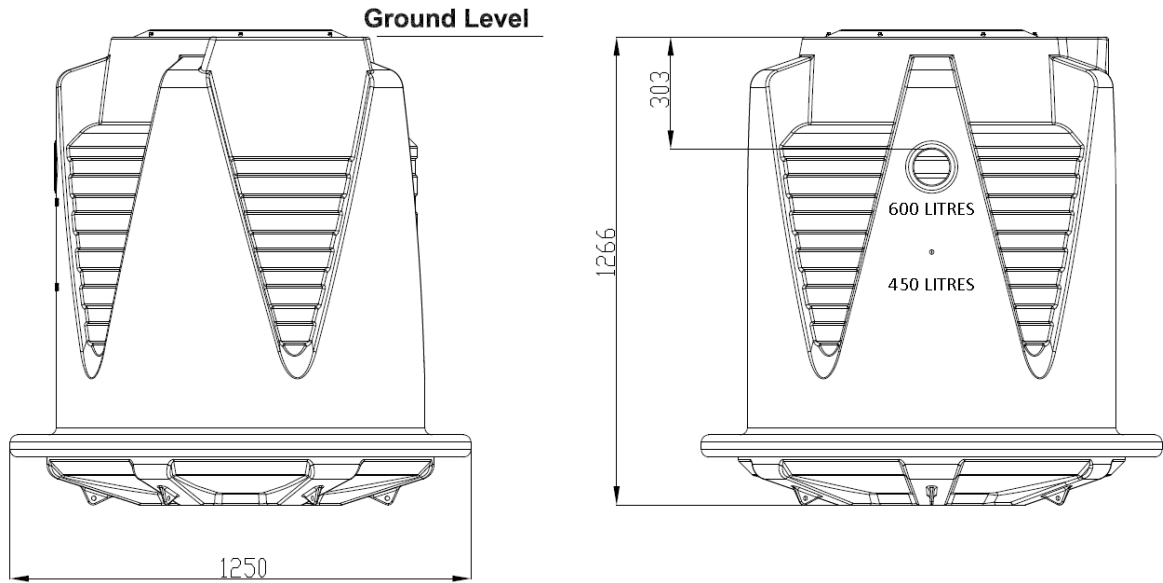
### **4. TANK ANCHORING**

1. The Pump Well is provided with a large 125mm wide anchoring flange. In normal conditions this flange will anchor the tank when backfilled with correctly compacted clean fill.
2. In areas of high water table the underside includes 6 mounting points which can be used with M12 reo-bar in concrete for additional anchorage.

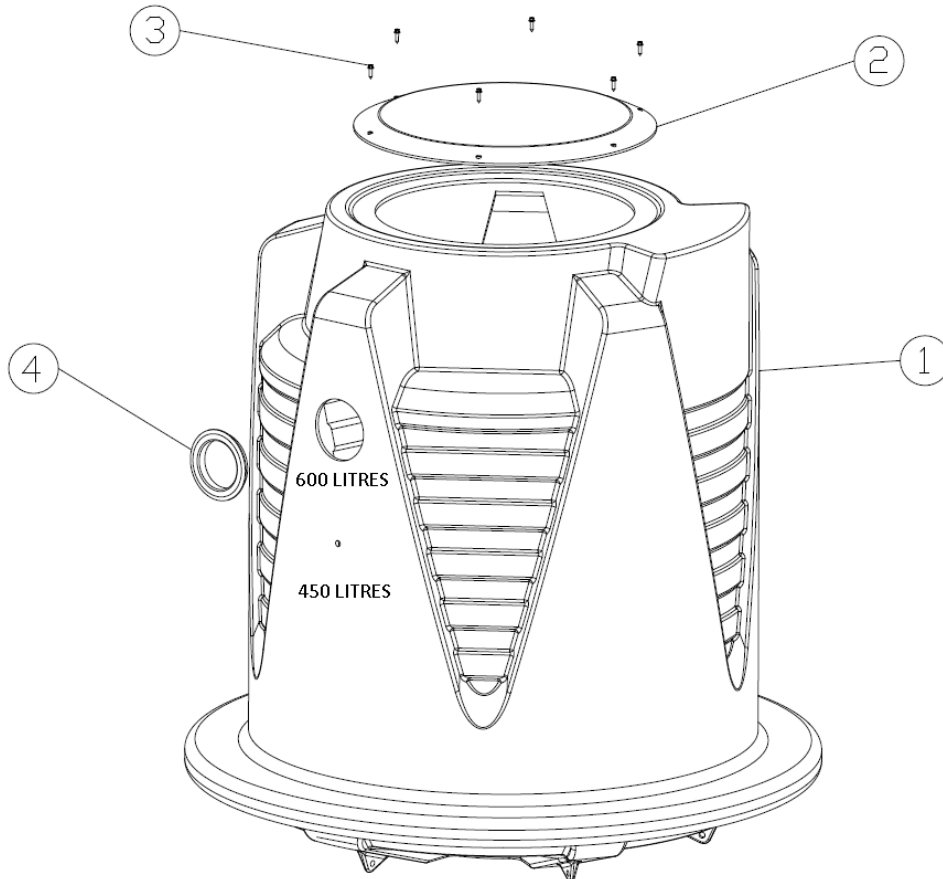
### **5. COMPLETION**

1. Fill the Pump Well with water to the level of the invert of the inlet pipe, prior to any backfilling and compaction.
2. Fit Manhole Cover. Manhole cover should always be fitted to prevent unauthorised entry.
3. Ensure that under the base and flange is fully supported prior to backfilling. Backfill around the Pump Well with clean fill. Only use clean fill and ensure full compaction in layers of the clean fill until the top. Do not use excavation waste, rubble rocks or large objects.
4. The Pump Well must not be buried when finished. The Manhole Cover must be at ground level to ensure access for maintenance. The Pump Well can be covered with light mulch or garden bark only. Ensure all surface water run-off is directed away from pipe trenches septic tanks and the Pump Well.
5. Upon completion pump out the water used for the backfilling process and check correct operation of pump and floats.

## 6. DIAGRAMS



Item	Description	Qty	Material
1	Base	1	LLDEP UV
2	Manhole Cover	1	PP UV
3	Screws 10g Self Tapping	6	316 Stainless Steel
4	Sealing Ring	1	Rubber/Elastomer



All capacities, weights and dimensions nominal.