

## 1GSL SERIES OPERATING CHARACTERISTICS AT 50 Hz

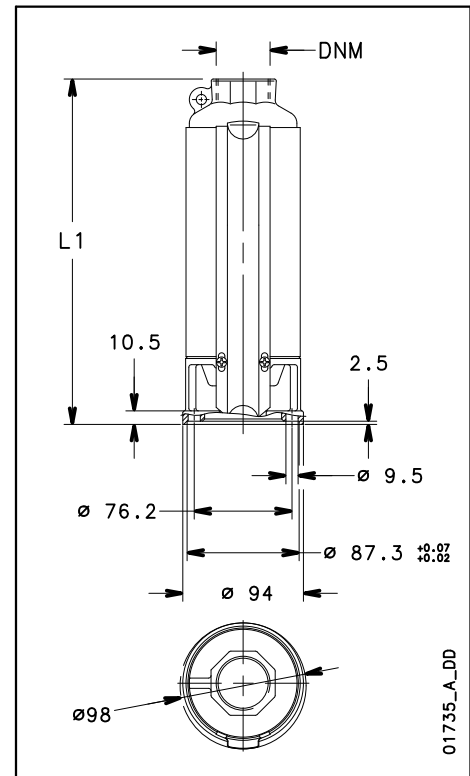
| PUMP TYPE             | N. OF STAGES | MOTOR POWER |      | MEI <sup>(2)</sup> ≥ | Q = DELIVERY                          |      |     |     |     |      |      |
|-----------------------|--------------|-------------|------|----------------------|---------------------------------------|------|-----|-----|-----|------|------|
|                       |              | kW          | HP   |                      | H = TOTAL HEAD METRES COLUMN OF WATER |      |     |     |     |      |      |
|                       |              |             |      |                      | l/min                                 | 0    | 8,3 | 10  | 15  | 20   | 22,5 |
|                       |              |             |      |                      | m <sup>3</sup> /h                     | 0    | 0,5 | 0,6 | 0,9 | 1,2  | 1,35 |
| 1GSL02 <sup>(1)</sup> | 8            | 0,37        | 0,5  | 0,4                  | 53                                    | 46,6 | 45  | 37  | 27  | 20,6 |      |
| 1GSL03                | 12           | 0,37        | 0,5  | 0,4                  | 79,4                                  | 69,9 | 67  | 55  | 40  | 30,9 |      |
| 1GSL05                | 18           | 0,55        | 0,75 | 0,4                  | 119                                   | 105  | 100 | 83  | 60  | 46,3 |      |
| 1GSL07                | 24           | 0,75        | 1    | 0,4                  | 159                                   | 140  | 133 | 110 | 80  | 61,7 |      |
| 1GSL11                | 35           | 1,1         | 1,5  | 0,4                  | 232                                   | 204  | 194 | 160 | 116 | 90   |      |
| 1GSL15                | 49           | 1,5         | 2    | 0,4                  | 324                                   | 285  | 272 | 224 | 163 | 126  |      |

Hydraulic performances in compliance with ISO 9906:2012 - Grade 3B (ex ISO 9906:1999 - Annex A)

1gsl-2p50-en\_d\_th

(1) Maximum pump absorbed power: 0,25 kW - 0,33 HP.

(2) Index of efficiency MEI.



## 1GSL..4OS SERIES DIMENSIONS AND WEIGHTS

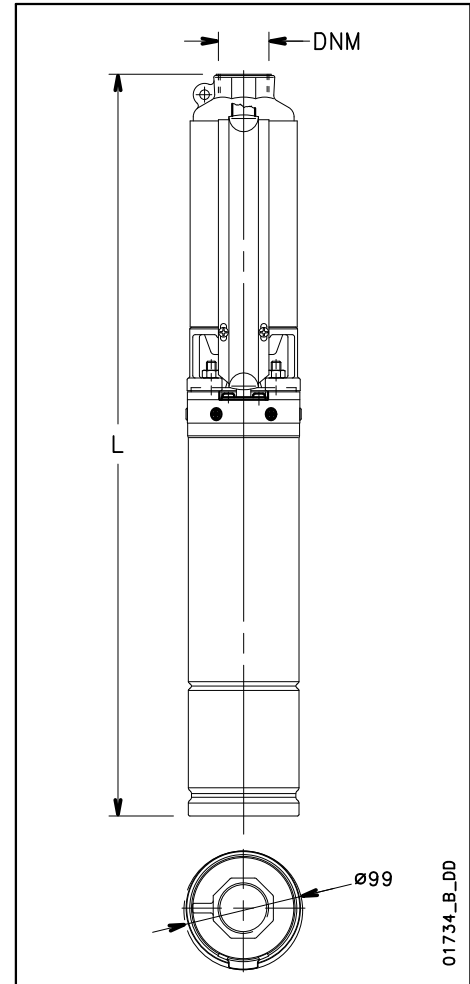
| ELECTRIC PUMP TYPE* | N. OF STAGES | DNM      | DIMENSIONS (mm) |      | PUMP WEIGHT kg | ELECTRIC PUMP WEIGHT kg |
|---------------------|--------------|----------|-----------------|------|----------------|-------------------------|
|                     |              |          | L1              | L    |                |                         |
| 1GSL02M-4OS         | 8            | Rp 1 1/4 | 298             | 651  | 3,1            | 10,7                    |
| 1GSL03M-4OS         | 12           | Rp 1 1/4 | 369             | 722  | 3,9            | 11,5                    |
| 1GSL05M-4OS         | 18           | Rp 1 1/4 | 472             | 825  | 4,9            | 13,1                    |
| 1GSL07M-4OS         | 24           | Rp 1 1/4 | 578             | 956  | 5,8            | 15,1                    |
| 1GSL11M-4OS         | 35           | Rp 1 1/4 | 824             | 1237 | 8,7            | 19,9                    |
| 1GSL15M-4OS         | 49           | Rp 1 1/4 | 1068            | 1516 | 11,8           | 24,6                    |
| 1GSL03T-4OS         | 12           | Rp 1 1/4 | 369             | 701  | 3,9            | 11                      |
| 1GSL05T-4OS         | 18           | Rp 1 1/4 | 472             | 825  | 4,9            | 12,5                    |
| 1GSL07T-4OS         | 24           | Rp 1 1/4 | 578             | 931  | 5,8            | 14                      |
| 1GSL11T-4OS         | 35           | Rp 1 1/4 | 824             | 1202 | 8,7            | 18                      |
| 1GSL15T-4OS         | 49           | Rp 1 1/4 | 1068            | 1481 | 11,8           | 23,2                    |

\* Pump and motor are supplied uncoupled in two separated packages if:

- the motor is single-phase ≥ 2,2 kW or three-phase ≥ 3 kW

- or the total length is > 1500 mm

1gsl-4os-2p50-en\_a\_td



## 1GSL..L4C SERIES DIMENSIONS AND WEIGHTS

| ELECTRIC PUMP TYPE* | N. OF STAGES | DNM      | DIMENSIONS (mm) |      | PUMP WEIGHT kg | ELECTRIC PUMP WEIGHT kg |
|---------------------|--------------|----------|-----------------|------|----------------|-------------------------|
|                     |              |          | L1              | L    |                |                         |
| 1GSL02M-L4C         | 8            | Rp 1 1/4 | 298             | 532  | 3,1            | 10,3                    |
| 1GSL03M-L4C         | 12           | Rp 1 1/4 | 369             | 603  | 3,9            | 11,2                    |
| 1GSL05M-L4C         | 18           | Rp 1 1/4 | 472             | 736  | 4,9            | 12,7                    |
| 1GSL07M-L4C         | 24           | Rp 1 1/4 | 578             | 862  | 5,8            | 14,2                    |
| 1GSL11M-L4C         | 35           | Rp 1 1/4 | 824             | 1153 | 8,7            | 19,6                    |
| 1GSL15M-L4C         | 49           | Rp 1 1/4 | 1068            | 1459 | 11,8           | 24,5                    |
| 1GSL03T-L4C         | 12           | Rp 1 1/4 | 369             | 583  | 3,9            | 10,9                    |
| 1GSL05T-L4C         | 18           | Rp 1 1/4 | 472             | 706  | 4,9            | 12,1                    |
| 1GSL07T-L4C         | 24           | Rp 1 1/4 | 578             | 842  | 5,8            | 13,6                    |
| 1GSL11T-L4C         | 35           | Rp 1 1/4 | 824             | 1108 | 8,7            | 17,1                    |
| 1GSL15T-L4C         | 49           | Rp 1 1/4 | 1068            | 1414 | 11,8           | 23,8                    |

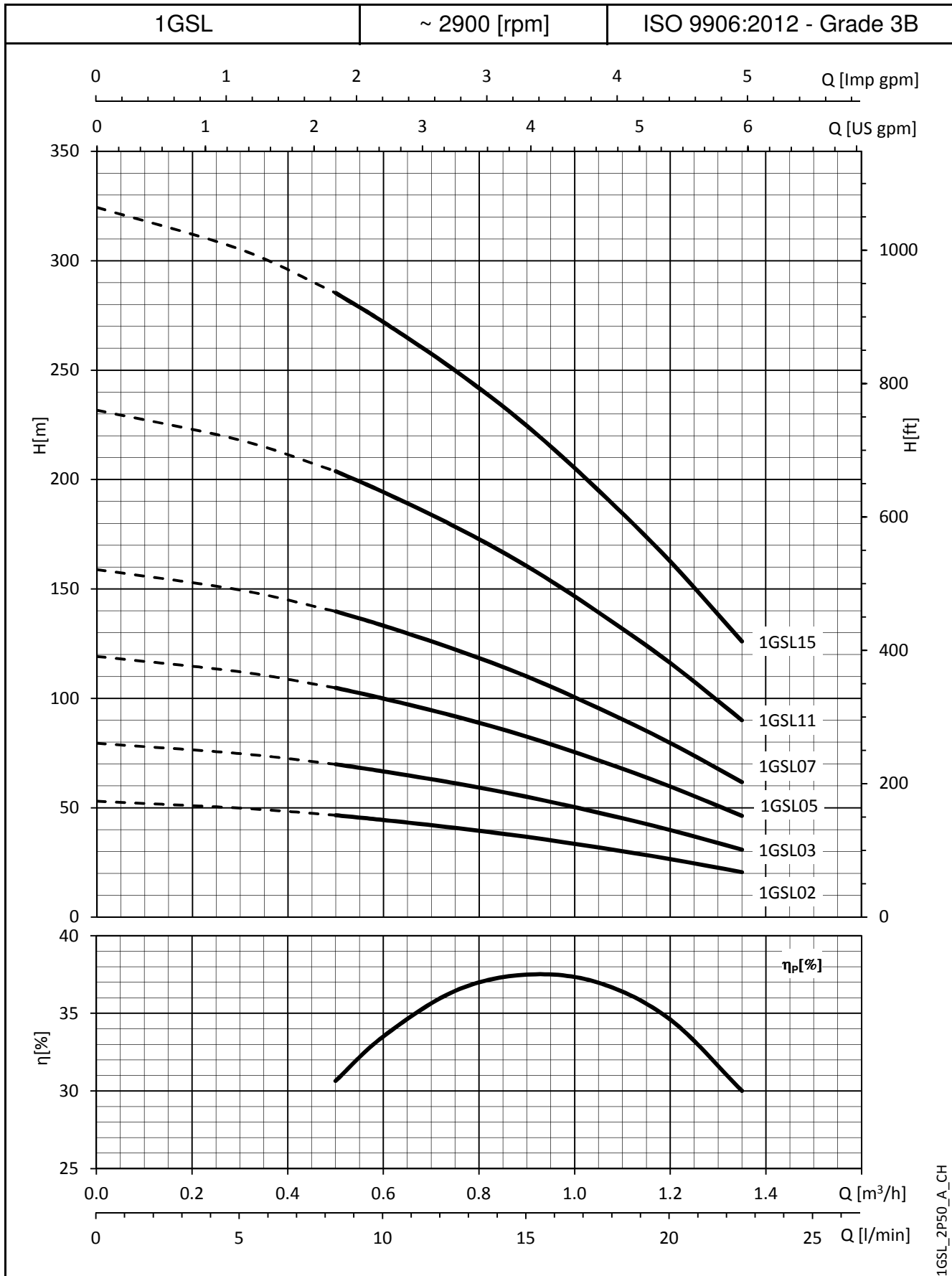
\* Pump and motor are supplied uncoupled in two separated packages if:

- the motor is single-phase ≥ 2,2 kW or three-phase ≥ 3 kW

- or the total length is > 1500 mm

1gsl-l4c-2p50-en\_b\_td

### 1GSL SERIES OPERATING CHARACTERISTICS AT 50 Hz



1GSL\_2P50\_A\_CH

These performances are valid for liquids with density  $\rho = 1.0 \text{ Kg/dm}^3$  and kinematic viscosity  $\nu = 1 \text{ mm}^2/\text{sec}$ .