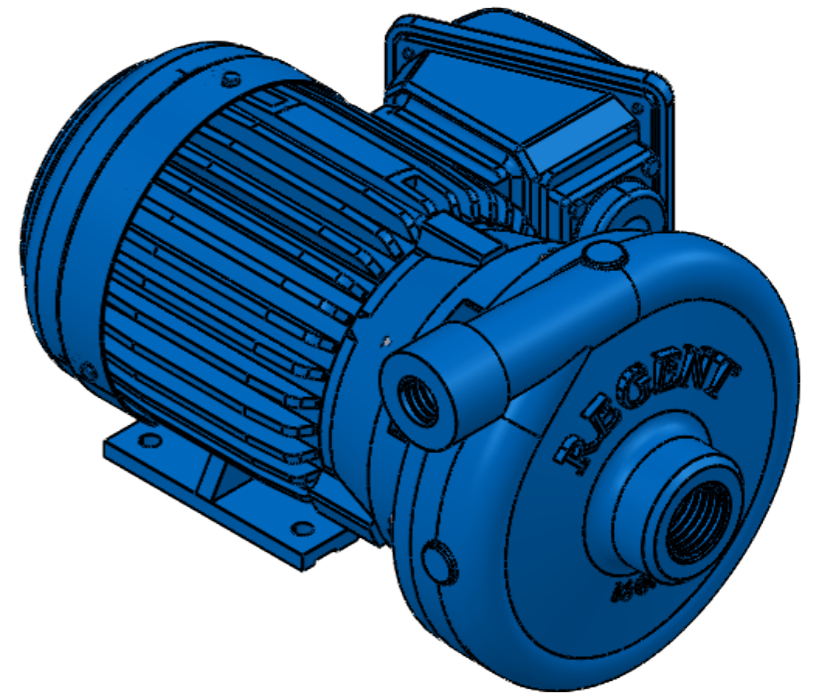
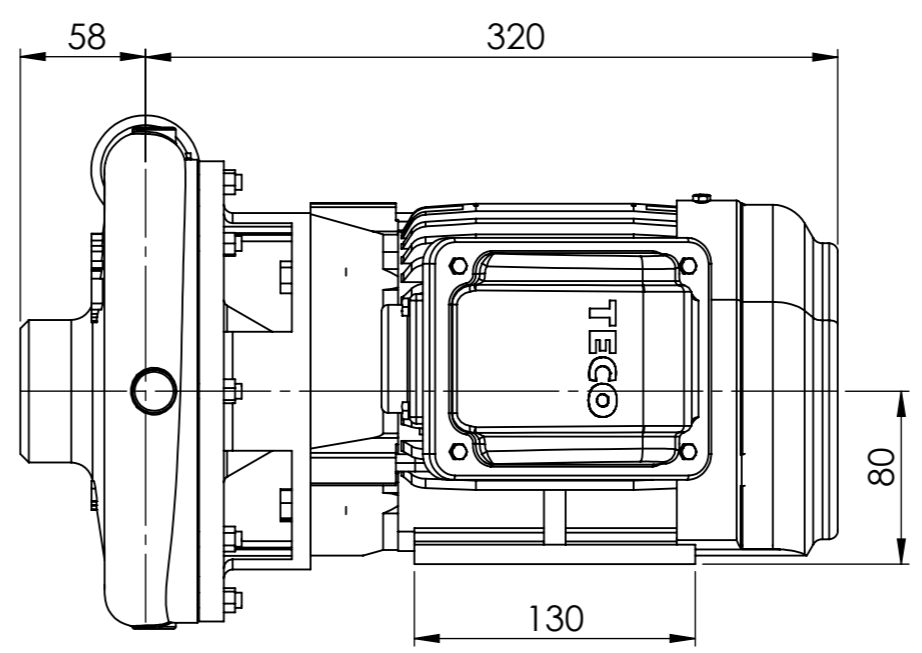
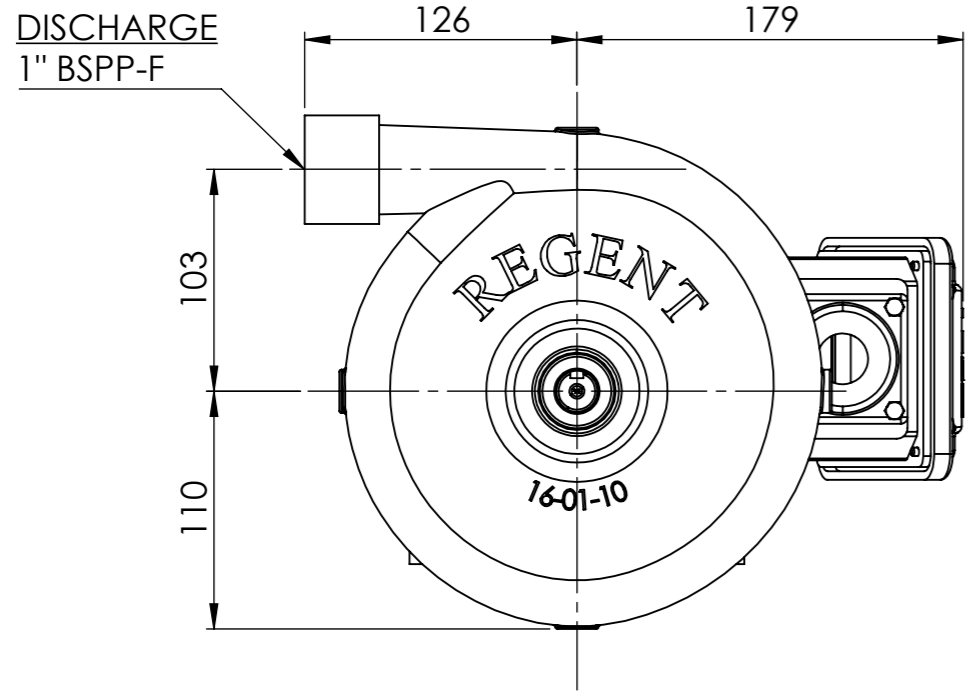
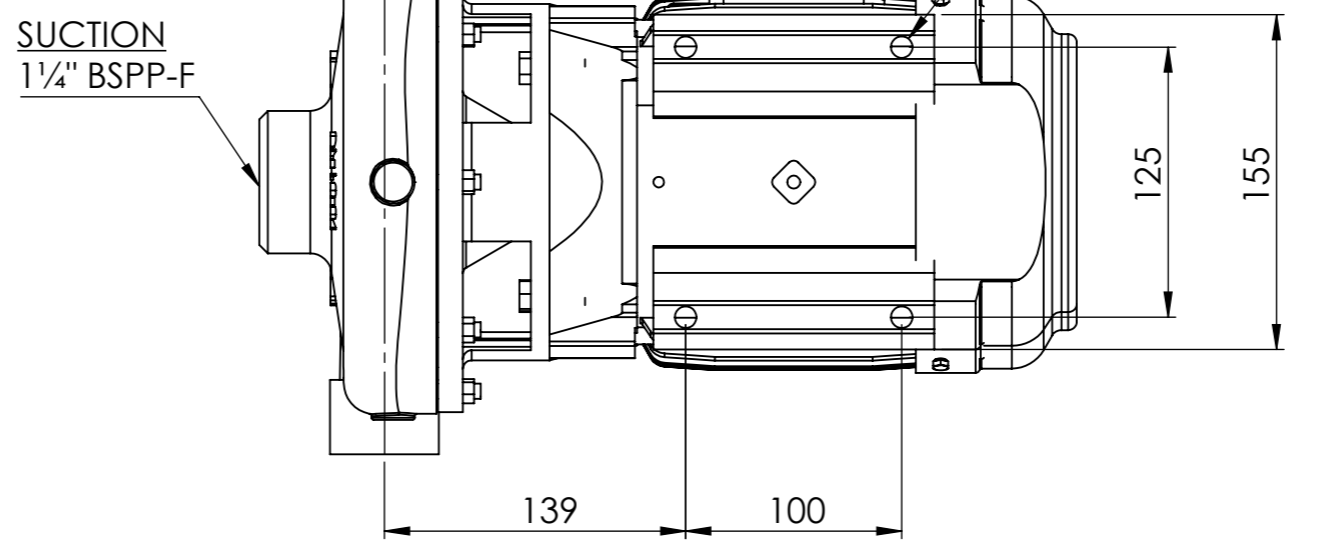
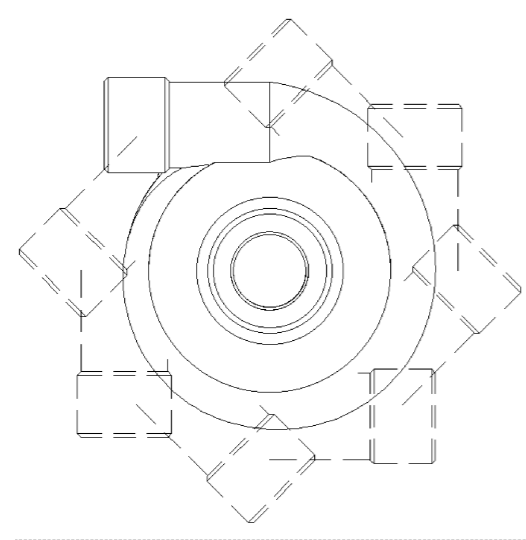


8 7 6 5 4 3 2 1

F E D C B A



DISCHARGE CAN BE ROTATED INTO 8 DIFFERENT POSITIONS



PUMP		ELECTRIC MOTOR	
MAKE:	REGENT	MAKE:	TECO
MODEL:	MINORFLOW	POWER:	0.37KW
SIZE:	25-171	SPEED:	1450RPM
		V/Ph/Hz:	415/3/50
		ENCL/IP:	TEFC/IP55

UNLESS OTHERWISE SPECIFIED, DIMENSIONS ARE IN MILLIMETERS SURFACE FINISH: PAINTED TOLERANCES: - LINEAR: ±5MM ANGULAR: ±3°

PRELIMINARY ONLY. NOT TO BE USED FOR CONSTRUCTION.

DEBURR AND BREAK SHARP EDGES

DO NOT SCALE DRAWING REVISION



TITLE:
G.A DRAWING 25-171 0.37KW4P 3Ph
80

NAME	SIGNATURE	DATE
DRAWN EK		21.02.19
CHK'D EK		21.02.19
APPV'D		
MFG		
Q.A		

MATERIAL: 25-171-T413 (Cl.BR.SS)
25-171-T423 (BR.BR.SS)
25-171-T444 (SS.SS.316SS)
25-171-T453 (ZFB.ZFB.316SS)

WEIGHT:

DWG NO. A3
SCALE: NTS SHEET 1 OF 1

8 7 6 5 4 3 2 1

F E D C B A