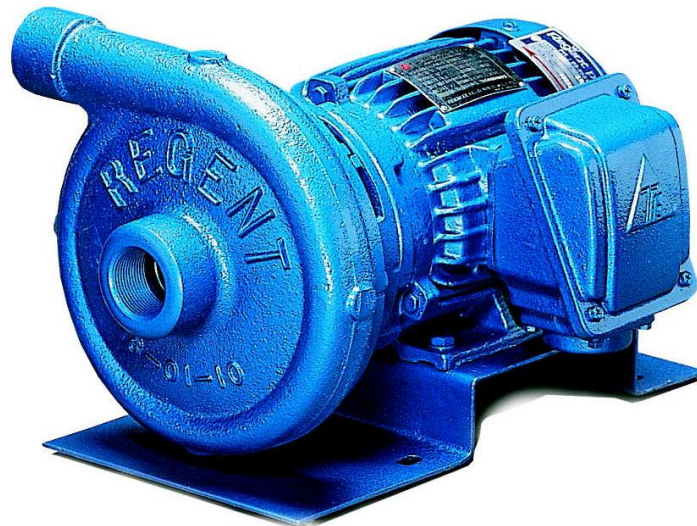


Minorflow Technical Data



Regent [▲]
pumps PTY LTD
ABN 68 006 936 527
ACN 006 936 527
Incorporating Advance Pressure Technology

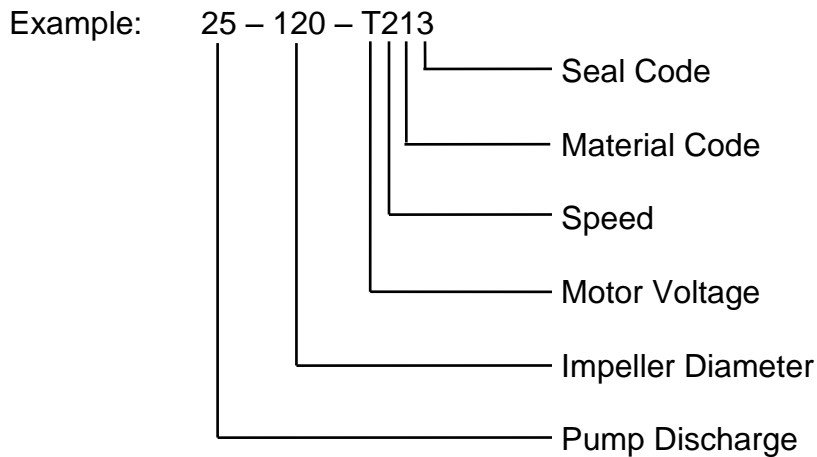
Redwood Drive Dingley Vic. 3172
PO BOX 650 MORDIALLOC VIC. 3195

Phone: (03) 9551 5111
Fax: (03) 9551 7217

Contents

	Page No.
Type and Size Designation.	2.
Position of Branches.	2.
Direction of Rotation.	2.
Mounting.	2.
Range Chart.	3.
Operating Temperatures.	3.
Pressure Ratings.	4.
Operating Speeds.	4.
Voltage.	4.
Amps.	5.
Stuffing Box/Shaft Dimensions.	5.
Running Clearance.	6.
Sealing Clearance.	6.
Standard Materials.	7.
Seal Code.	7.
Parts Lists – Electric Driven.	8.
Interchangeability List – Electric Driven.	9, 10, 11.
General Dimensions – Electric Driven.	12, 13.
Parts List – Bare Shaft.	14.
Interchangeability List – Bare Shaft.	15, 16.
General Dimensions – Bare Shaft.	17.
Weights.	18.

Type and Size Designation



Position of Branches

Suction Branch – Axial.

Delivery Branch – Horizontal Overshot.
(Casing may be mounted in four (4) alternative discharge positions)

Direction of Rotation

Clockwise – When viewed from the drive end of pump.

Mounting

Pumps are supplied on a base plate with slots for holding down bolts, except for pump model 25-120 where the motor feet are used for mounting. Bare shaft units have two (2) drilled holes for holding down bolts in the foot of the bearing housing.

Pressure Ratings

The figures below apply to pumps of cast iron construction.

Maximum Suction Pressure = Maximum Operating Pressure minus Shut Valve Pressure.

Model No.	Casing Part No.	Pressure Rating @		
		Max. Operating	Max. Hydro. Test	Standard Test
25-120	50001150100	750 kpa (108psi)	1125 kpa (163 psi)	500 kpa (73 psi)
25-140 25-159 25-171	50001160100	840 kpa (122 psi)	1250 kpa (182 psi)	840 kpa (122 psi)

Operating Speeds

Example: 25 – 120 – T213

└── Represents Speed
 2 = 2 Pole – 2900 rpm
 4 = 4 Pole – 1450 rpm

Voltage

Example: 25 – 120 – T213

└── Represents Voltage
 S = Single Phase – 240 volt
 T = Three Phase – 415 volt

Amps

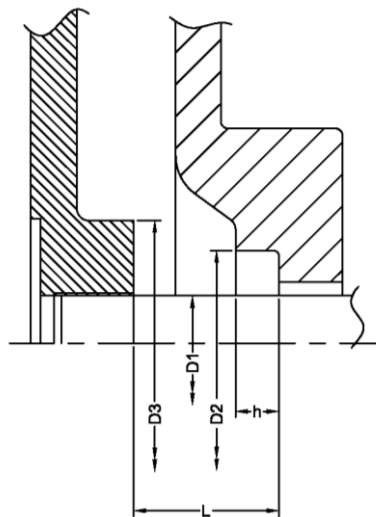
Approximate values are given only, as values vary for different makes of motor.

4 Pole

Power	Full Load	Start
0.37 kW	1.1	5.3

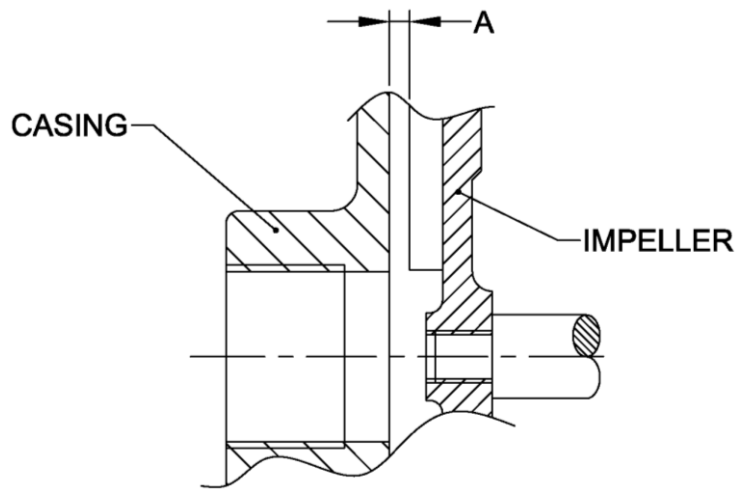
2 Pole

Power	Full Load	Start
0.75 kW	1.7	10.3
1.1 kW	2.4	16.1
1.5 kW	3.1	20.8
2.2 kW	4.4	33.8
3.0 kW	5.9	44.2

Stuffing Box / Shaft Dimensions

Model	Speed	D1	D2	D3	L	h
25-120	2 Pole 4 Pole	15.90	31.88	20	28.5	10
25-171	4 Pole	15.85	31.75			
25-140 25-159 25-171	2 Pole	19.075 19.025	34.95 34.90	40		8

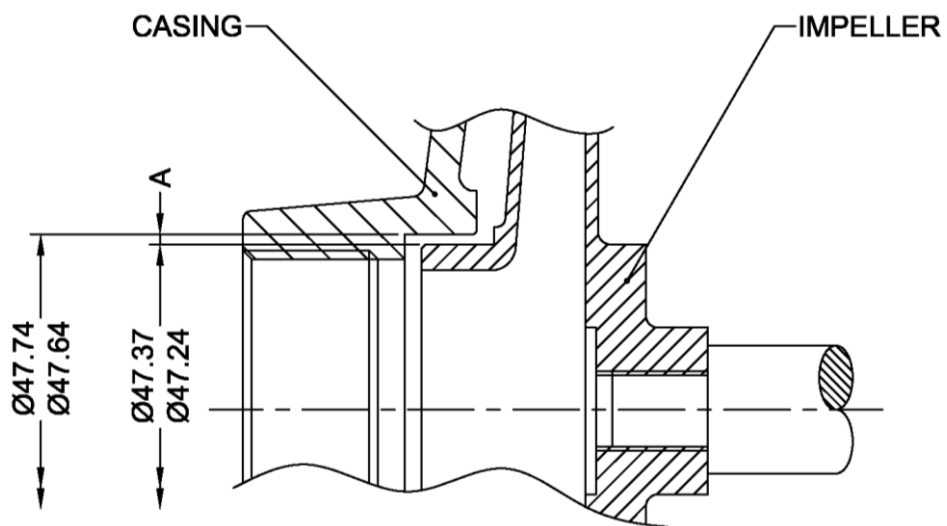
Running Clearance



25-120

a = 0.708 max.
0.231 min.

Sealing Clearance

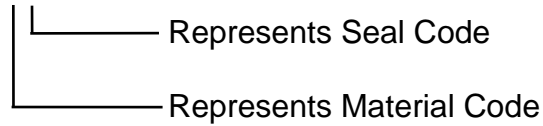


25-140
25-159
25-171

a = 0.250 max.
0.135 min.

Standard Materials

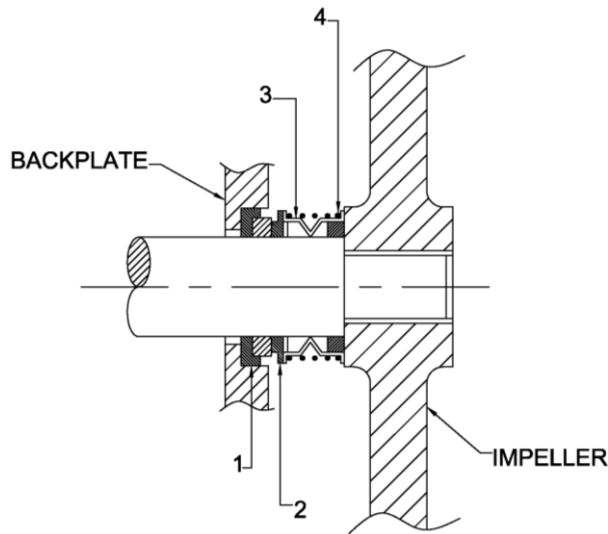
Example: 25 – 120 – T213



Material Code

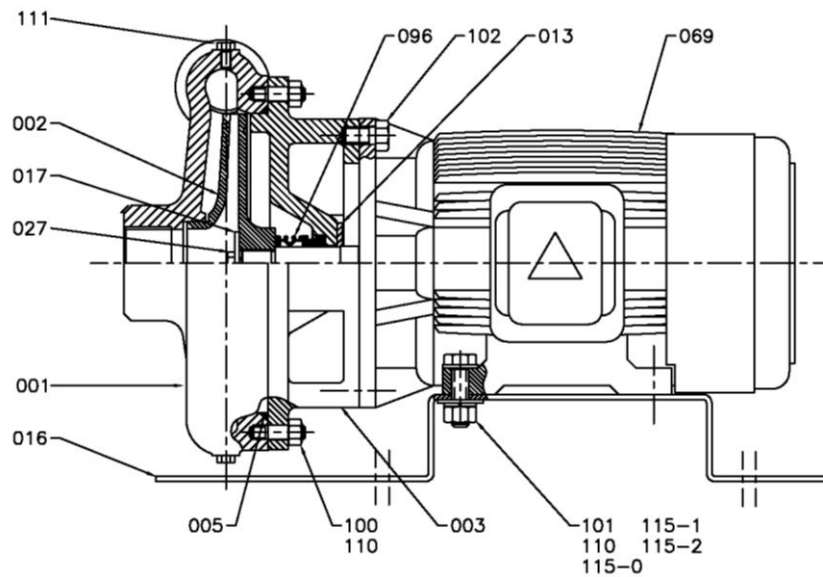
Description	Code 1	Code 2	Code 3	Code 4	Code 5	Code 8
Casing	Cast Iron	Bronze	Cast Iron	St. Steel	Z.F. Br.	Cast Iron
Impeller	Bronze	Bronze	Cast Iron	St. Steel	Z.F. Br.	St. Steel
Shaft	St. Steel	St. Steel	St. Steel	St. Steel	St. Steel	St. Steel

Seal Code



Item	Code 1	Code 2	Code 3	Code 4	Code 5
1. Stationary	Ceramic Buna	Ceramic Buna	Ceramic Viton	Ceramic Viton	Silicon Viton
2. Rotating	Phenolic	Carbon	Phenolic	Carbon	Silicon
3. Bellows	Buna	Buna	Viton	Viton	Viton
4. Spring	St. Steel	St. Steel	St. Steel	St. Steel	St. Steel

Parts List



Item	Part Name	Qty
001	Casing	1
002	Impeller	1
003	Backplate	1
005	O-Ring, Casing	1
013	Slinger	1
* 016	Baseplate	1
017	Lock Washer	1
027	Lock Bolt	1
069	Electric Motor	1
096	Mechanical Seal	1
100	Stud, Casing	4/8
* 101	Bolt, Baseplate	4
102	Set Screw, Backplate	4
110	Hexagon Nut	4/12
# 111	Plug	1
* 115-0	Flat Washer, Baseplate	4
* 115-1	Flat Washer, Baseplate	4
* 115-2	Spring Washer, Baseplate	4

Note: Hexagon nuts and studs (4 off) fitted to 25-120.

Hexagon nuts and studs (12 off) fitted to 25-171.

Items marked thus (*) fitted to 25-171 only.

Plug (#) fitted to 25-120 only.

Interchangeability List

Item No.			001	002	003
Model	Phase	Speed	Casing	Impeller	Backplate
25-120	3 (T) 1 (S)	4 Pole	50001150100	50002140200	50003140100
25-120	3 (T) 1 (S)	2 Pole			
25-171	3 (T) 1 (S)	4 Pole	50001160100	50002160200	50003160100
25-171	3 (T) 1 (S)	2 Pole		50002160240	50003160110
25-159	3 (T) 1 (S)	2 Pole		50002160220	
25-140	3 (T) 1 (S)	2 Pole		50002160210	

Item No.			005	013	016
Model	Phase	Speed	Casing O-Ring	Slinger	Baseplate
25-120	3 (T) 1 (S)	4 Pole	58000249600	50013140604	N/A
25-120	3 (T) 1 (S)	2 Pole			
25-171	3 (T) 1 (S)	4 Pole	58000261600	50013160604	50016160400
25-171	3 (T) 1 (S)	2 Pole			50016170410
25-159	3 (T) 1 (S)	2 Pole			50016160400
25-140	3 (T) 1 (S)	2 Pole			50016160400

Interchangeability List

Item No.			017	027	069
Model	Phase	Speed	Lock Washer	Lock Bolt	Motor
25-120	3 (T) 1 (S)	4 Pole	50027140301 N/A	50027140301 N/A	53003404221 53003304221
25-120	3 (T) 1 (S)	2 Pole	50027140301 N/A	50027140301 N/A	53007402221 53007302221
25-171	3 (T) 1 (S)	4 Pole	50017160301 N/A	50027160301 N/A	53003404221 53003304221
25-171	3 (T) 1 (S)	2 Pole	50017160301 N/A	50027160301 N/A	53030402221 52030302221
25-159	3 (T) 1 (S)	2 Pole	50017160301 N/A	50027160301 N/A	53022402221 52033302221
25-140	3 (T) 1 (S)	2 Pole	50017160301 N/A	50027160301 N/A	53015402221 52015302221

Item No.			096	100	101
Model	Phase	Speed	Mech. Seal	Stud	Bolt
25-120	3 (T) 1 (S)	4 Pole	96160100100	56080002508	N/A
25-120	3 (T) 1 (S)	2 Pole			
25-171	3 (T) 1 (S)	4 Pole	96200100100		56010002508
25-171	3 (T) 1 (S)	2 Pole			56010003208
25-159	3 (T) 1 (S)	2 Pole			56010002508
25-140	3 (T) 1 (S)	2 Pole			

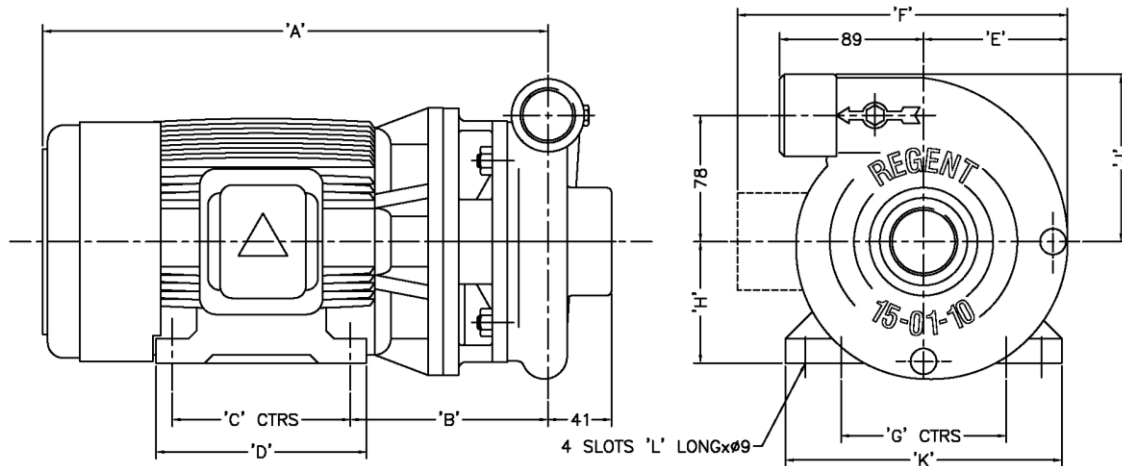
Interchangeability List

Item No.			102	110-0 & 110-1	111
Model	Phase	Speed	Set Screw	Hexagon Nut	Plug
25-120	3 (T) 1 (S)	4 Pole	56010001608	56090000008	56141060003
25-120	3 (T) 1 (S)	2 Pole			
25-171	3 (T) 1 (S)	4 Pole			
25-171	3 (T) 1 (S)	2 Pole	56010001908	56090000010	N/A
25-159	3 (T) 1 (S)	2 Pole		56090000008	
25-140	3 (T) 1 (S)	2 Pole			

Item No.			115-0	115-1	115-2
Model	Phase	Speed	Flat Washer	Flat Washer	Spring Washer
25-120	3 (T) 1 (S)	4 Pole	N/A	N/A	N/A
25-120	3 (T) 1 (S)	2 Pole			
25-171	3 (T) 1 (S)	4 Pole	56100003210	56100001608	56110001608
25-171	3 (T) 1 (S)	2 Pole			
25-159	3 (T) 1 (S)	2 Pole			
25-140	3 (T) 1 (S)	2 Pole			

General Dimensions 1.

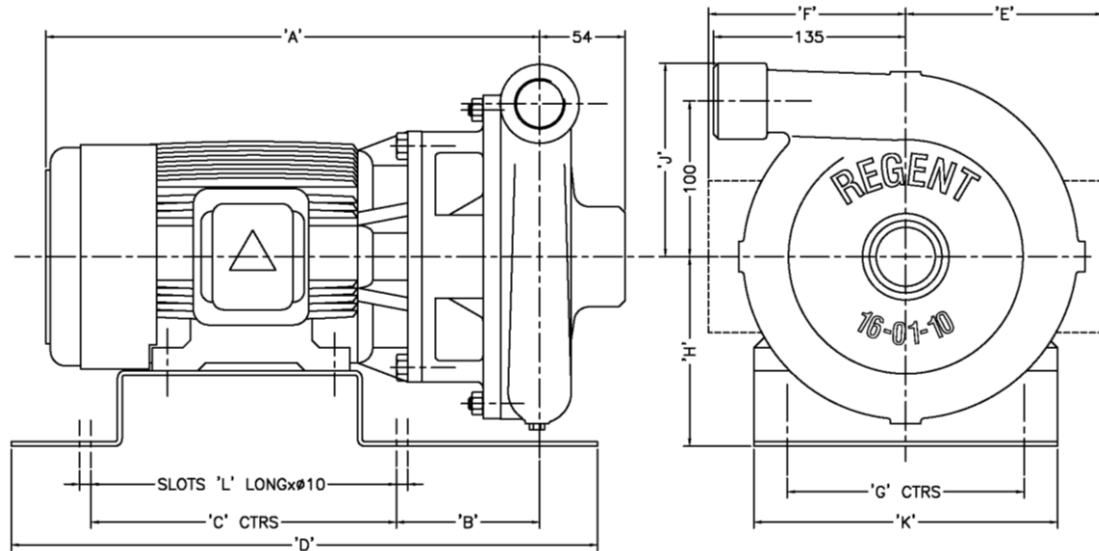
(Dimensions can vary due to availability of motors.)



Model	Motor	A	B	C	D	E	F	G	H	J	K	L	Suct.	Disch.
25-120	0.37kW 4p 3Ph	298	101	76	98	90	205	102	89	104	171	22	1 1/4" bsp	1" bsp
	0.37kW 4p 1Ph						N/A							
	0.75kW 4p 3Ph	325					205							
	0.75kW 4p 1Ph	328					N/A							

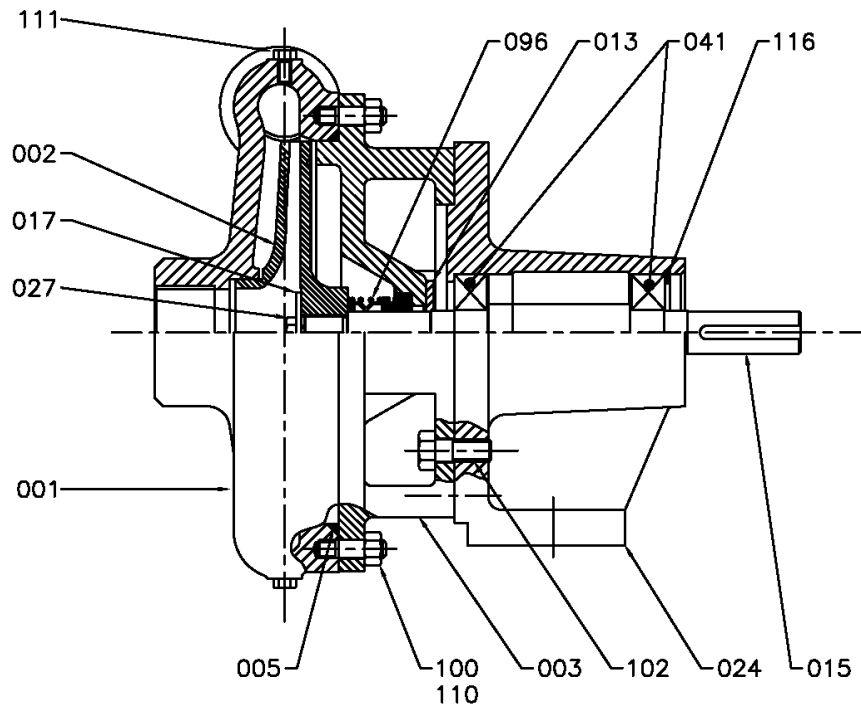
General Dimensions 1.

(Dimensions can vary due to availability of motors.)



Model	Motor	A	B	C	D	E	F	G	H	J	K	L	Suct.	Disch.
25-171	0.37kW 4p 3Ph	327	66	201	386	N/A	115	156	139	126	200	7.5	1 1/4" bsp	1" bsp
	0.37kW 4p 1Ph						N/A							
	3.0kW 2p 3Ph	394	92	231	303	174	N/A	154	180					
	3.0kW 2p 1Ph	461				N/A	227				139			
25-159	2.2kW 2p 3Ph	367	103	201	386	165	N/A	156	140	200	7.5	1 1/4" bsp	1" bsp	
	2.2kW 2p 1Ph	461	92	231	303	N/A	180	154	139	194	12			
25-140	1.5kW 2p 3Ph	364	103	201	386	163	N/A	156	140	200	7.5	1 1/4" bsp	1" bsp	
	1.5kW 2p 1Ph													

Parts List



Item	Part Name	Qty
001	Casing	1
002	Impeller	1
003	Backplate	1
005	O-Ring, Casing	1
013	Slinger	1
015	Shaft	1
017	Lock Washer	1
027	Lock Bolt	1
041	Bearing	2
096	Mechanical Seal	1
100	Stud, Casing	4/8
102	Set Screw, Backplate	4
110	Hexagon Nut	4/8
* 111	Plug	1
116	Circlip	1

Note: Hexagon nuts and studs (4 off) fitted to 25-120.

Hexagon nuts and studs (8 off) fitted to 25-171.

Plug (*) fitted to 25-120 only.

Interchangeability List – Bareshaft

Item No.	001	002	003	005
Model	Casing	Impeller	Backplate	Casing O-Ring
25-120-BS	50001150100	50002140200	50003140100	58000249600
25-140-BS	50001160100	50002160210	50003160110	58000261600
25-159-BS		50002160220		
25-171-BS		50002160240		

Item No.	013	015	017	024
Model	Slinger	Shaft	Lock Washer	Pedestal
25-120-BS	50013140604	50015153301	50017140301	50024153100
25-140-BS	50013160604	50015153311	50017160301	
25-159-BS				
25-171-BS				

Item No.	027	041	096	100
Model	Lock Bolt	Bearing	Mech. Seal	Stud
25-120-BS	50027140301	55006304001	96160100100	56080002508
25-140-BS	50027160301		96200100100	
25-159-BS				
25-171-BS				

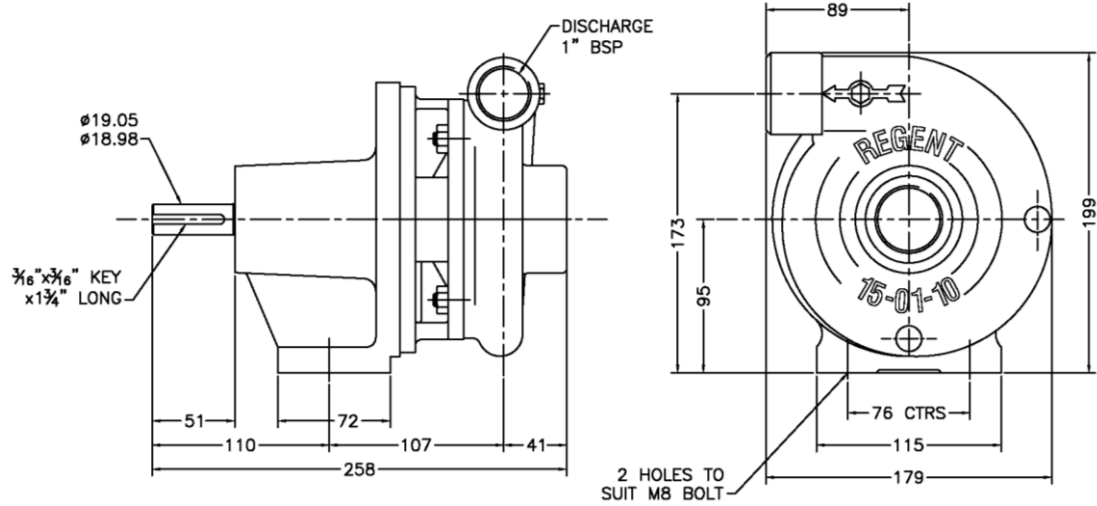
Note: Refer page 15 for remaining items.

Interchangeability List – Bareshaft

Item No.	102	110	111	116
Model	Set Screw	Nut	Plug	Circlip
25-120-BS	56010002508	56090000008	56141060003	55000052000
25-140-BS			N/A	
25-159-BS				
25-171-BS				

General Dimensions

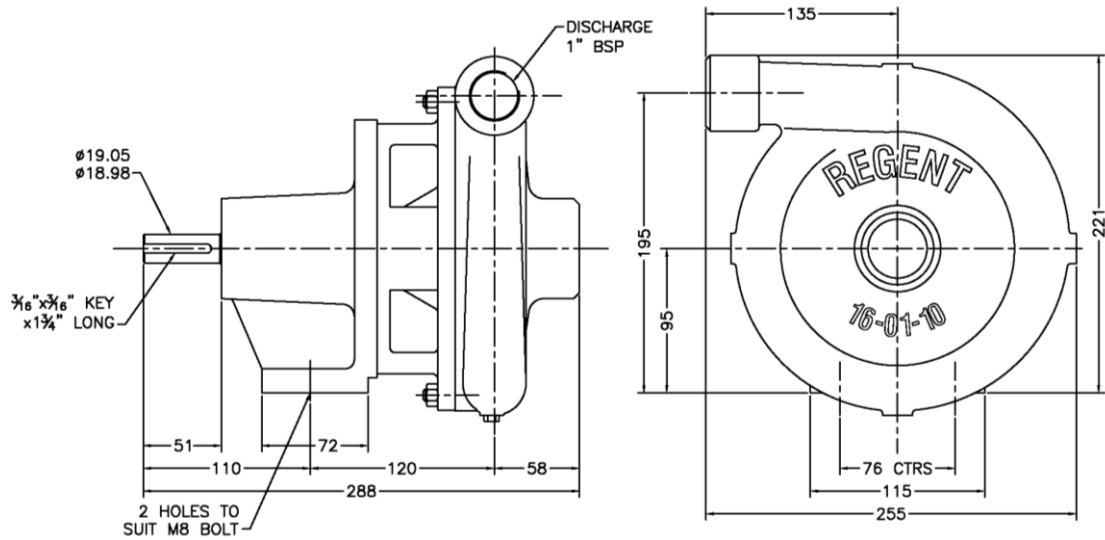
25-120-BS



25-140-BS

25-159-BS

25-171-BS



Pump Weights – Electric Driven

25-120-T213	=	25.5 kgs
25-120-S213	=	25.5 kgs
25-120-T413	=	23.5 kgs
25-120-S413	=	23.5 kgs
25-140-T213	=	39.5 kgs
25-140-S213	=	39.5 kgs
25-159-T213	=	42 kgs
25-159-S213	=	42 kgs
25-171-T213	=	51.5 kgs
25-171-S213	=	51.5 kgs
25-171-T413	=	35 kgs
25-171-S413	=	35 kgs

Pump Weights – Electric Driven

25-120-BS13	=	9 kgs
25-140-BS13	=	17 kgs
25-159-BS13	=	17 kgs
25-171-BS13	=	17 kgs