

4" SUPER STAINLESS SUBMERSIBLE MOTORS

0.37 - 1.1kw 2 Wire, 0.75 - 2.2kw 3 Wire & Three-phase

Application Data

These motors are built for superior dependability in 4" diameter or larger water wells.

For further information, refer to Franklin Electric's "Submersible Motors: Application, Installation, Maintenance Manual."

Special Features

- 316 Stainless Steel: Special construction option for acid, low pH, and seawater applications
- Two-wire motors are split-phase designs with integral starting components and on-winding thermal overload protection, and do not require a control box. They feature Franklin's patented 2-wire BIAC starting switch which provides reverse impact torque to aid starting in adverse environments

Basic Features

- Single-phase: 230V 50Hz
- Three-phase: 380-415V 50Hz
- Corrosion-Resistant All Stainless Steel Exterior Construction
- Stainless Steel Splined Shaft
- Hermetically-Sealed Windings
- Anti-Track Self-Healing Resin System
- Water Lubrication
- Filter Check Valve
- Kingsbury-Type Thrust Bearing
- Pressure Equalizing Diaphragm
- Built-In Lightning Arrestors (all single-phase)
- Removable "Water-Bloc" lead installed
- ANSI/NSF 61 Certified
- NEMA Mounting Dimensions
- Temperature and time rating continuous in 30°C
- Rotation: single-phase - CCW; Three-phase electrically reversible

Control Boxes

- Single-phase: 230V, 3 Wire
- Franklin's single phase submersible Control Boxes are suitable for outdoor mounting IP23
- Start and run winding overloads protect the motor from failure due to abnormal operating conditions.

WARNING: Serious or fatal electrical shock or fire hazard may result from failure to follow the instructions for proper installation and use which accompany this equipment. Do not use motor in swimming areas.



Franklin Electric

Availability

Single-phase

2-Wire, Split-Phase, 50Hz, 2875 rpm

HP	KW	VOLTS	"L" DIM MM	SHIPPING WEIGHT KGS
1/2	0.37	220	242	8.1
3/4	0.55	220	271	9.5
1	0.75	220	298	10.9
1.5	1.1	220	346	14.1

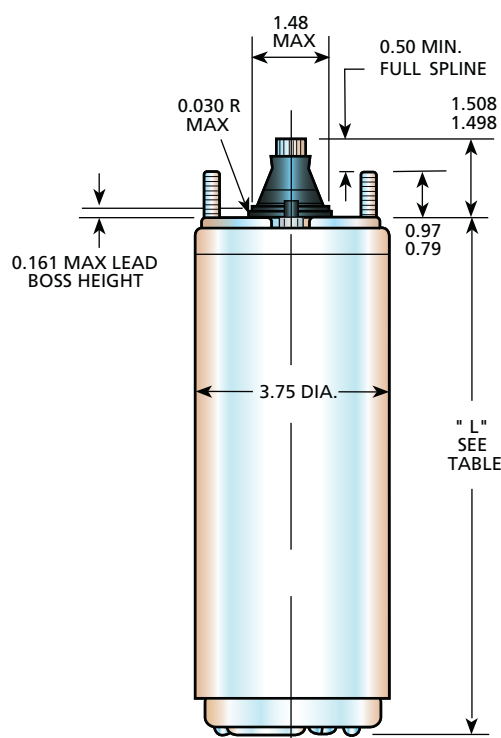
3-Wire, Capacitor Start, 50Hz, 2875 rpm^②

HP	KW	VOLTS	"L" DIM MM	SHIPPING WEIGHT KGS
1	0.75	230	298	10.9
1 1/2	1.1	230	346	12.7
2	1.5	230	384	15.0
3	2.2	230	484	18.6

Three-phase

3-Phase, 50Hz, 2875 rpm^②

HP	KW	VOLTS	"L" DIM MM	SHIPPING WEIGHT KGS
1/2	0.37	380-415	223	7.3
3/4	0.55	380-415	242	8.3
1	0.75	380-415	271	9.6
1 1/2	1.1	380-415	298	10.8
2	1.5	380-415	327	12.1
3	2.2	380-415	440	16.1



① Leads – 0.37 to 1.5 kW leads, 2.2 to 3.7 kW – 2.5M leads

② Franklin Electric Control Box required for warranty cover
Single Phase products comply with IEC/CSIPR14

③ Specifications subject to change without notice. Contact Franklin Electric if material types are required for bid specifications.

Construction Materials

Components	Standard Water Well
Casting	304 SS Over Iron
Stator Shell	301 SS
Shaft Extension	17-4 SS or 303 SS
Fasteners	305 SS or 302 SS
Seal Cover	Acetal
Seal	Nitrile Rubber Lip
Diaphragm	Nitrile Rubber
Diaphragm Cover	301 SS
Slinger	Nitrile Rubber
Lead Wire (or Cable)	KTW/VDE Flat ^①
Lead Potting	Epoxy
Lead Jam Nut	303 SS



Franklin Electric

Franklin Electric (Aust) Pty Ltd
106-110 Micro Circuit
Dandenong South, Vic 3175
Tel: +61 3 9799 5000

Toll Free: 1300 FRANKLIN
franklin-electric.com.au